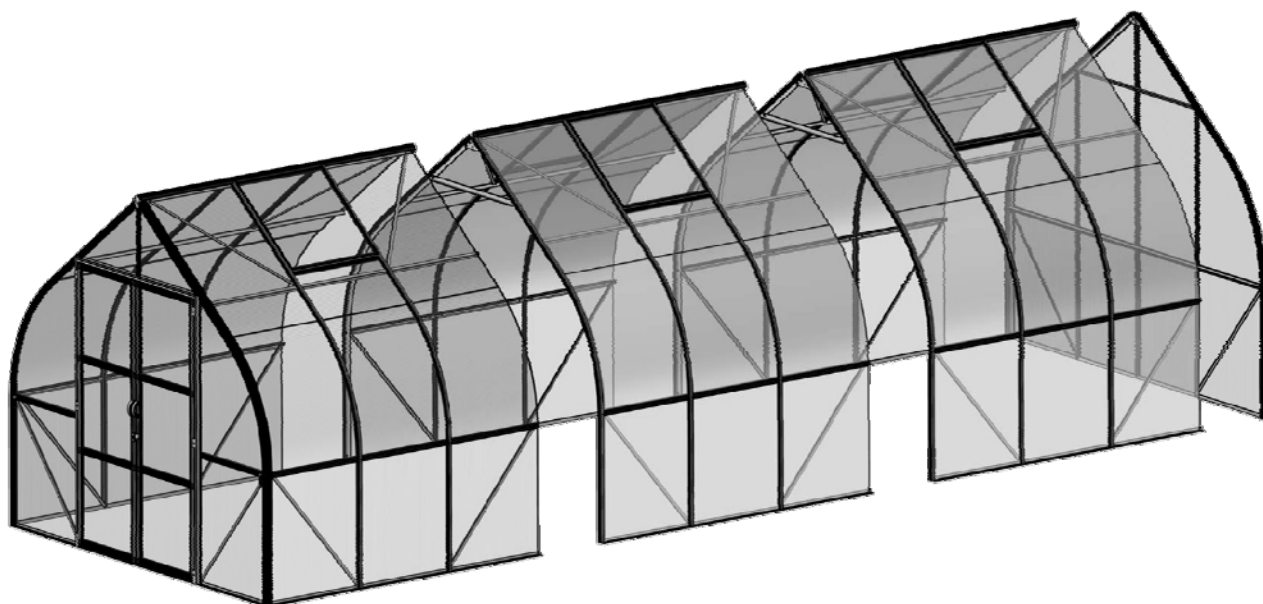




**CLIMA<sup>TM</sup>  
POD**

# **VIRTUE Greenhouse**

## **ASSEMBLY INSTRUCTIONS**



**TO BE USED IN CONJUNCTION WITH  
VIRTUE VB9 SERIES GREENHOUSE**

**Contact Information:**

**MODULAR ORGANICS LLC**

**EMAIL: [sales@climapod.com](mailto:sales@climapod.com)**

**Phone: 360-674-2642**

**Website: [www.climapod.com](http://www.climapod.com)**

# Statement

## Dear Customer!

We would like to congratulate you on your new Greenhouse purchase.

We hope that by following the detailed assembly instructions you will find as much pleasure in assembly process same as the time you will spend in your greenhouse in the future.

The assembly instructions mainly consist of detailed illustrations and no specific technical knowledge is required for the assembly of the greenhouse.

Depending on the model & accessories package you purchased you may have received multiple packages. The main ClimaPod house (not counting in accessories or extended models) has three main master packages:

- Straight Frame & Base
- Panels
- Curved Frame

7' Extension Set also come in three different packages.

The aluminum base, straight frame profiles, as well as supporting hardware are packed in one carton. The greenhouse curved frames or "arches" are packed in a curved shape package.

All the polycarbonate panels are packed in one carton.

All of the aluminum profiles are marked with a part number corresponding to the numbers given on the drawings and listed on the parts list. Nuts, bolts, and fittings will be found in the relevant package.

All of the rear gable section straight frames are in package No.1

All of the front gable section straight frames are in package No.2

All of the roof/side wall section straight frames are in package No.3

All of the frames and components for the window are in package No.4

All of the frames and components for the door are in package No.5

Each of the polycarbonate panels have are labeled with item number corresponding to the instructions. You may also differentiate them by their size and shape. Note: once you get to insert the polycarbonate panels, make sure to have the side with opal white film facing outside.

## Accessories

Modular Organics LCC (ClimaPod) offers a wide range of accessories which contribute to a better yield and make life easier for the gardener. A selection of the range is shown in the supplements to these instructions. Upon the request, your local dealer may provide you with more information about available accessories. You may also refer to our main website [www.ClimaPod.com](http://www.ClimaPod.com) for more information.

## Winter Protection

In areas where snow might be expected we recommend the following in order to protect your green- house:

1. Support the ridge at the center of the greenhouse.
2. Remove larger snow loads by sliding them down the sides.
3. Take precautions against snow falling down.

## Complaints

We put severe demands on quality to secure that you get a faultless product. However, should a problem occur, we kindly ask you to contact the dealer from whom you have bought the greenhouse. For a quick service, you should specify the extent of the defect by means of the parts list in the assembly instructions. Please also note to mention the model number which is marked on the front page of these instructions.

## Guarantee

We grant a 10 year comprehensive guarantee which covers replacement or repairs of defective parts due to material or manufacturing defect. The guarantee does not cover polycarbonate, transport, erection. The guarantee is invalid if the greenhouse is not assembled according to these instructions.

## Insurance

Not all insurance companies automatically cover greenhouses. We strongly recommend you contact your insurance agent to ensure that your greenhouse is added to the coverage once assembled.

# Statement

## Foundation

The base is maintenance free and, of course all fittings are included. If you plan to use concrete foundation, remember to order concrete pipes and concrete at your local supply stores as they are not included with your order.

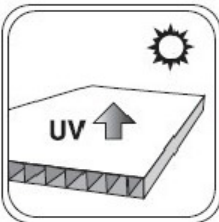
## Cautions



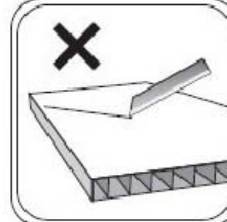
Remove approximately 2 inches of film from all sheet edges before installing. Remove all film immediately after the construction is completed.



Handle with care! Dropping can bend the frame, and it won't fit properly.



The UV-protected side of the sheet is covered with opal white film/text and must face towards the sun.



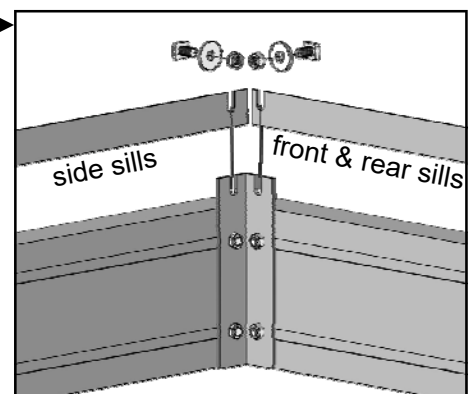
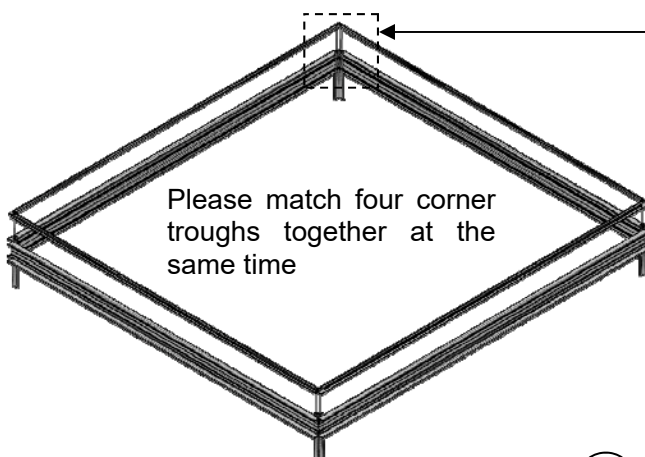
Keep sharp instruments away from the polycarbonate sheets.



Please put on gloves avoid slitting your hands.

## Tips

1. The base has to be fastened in a non-freezing depth(80cm).
2. The greenhouse is to be fastened to the base.
3. The base has to be 100% level and square. The easiest way to ensure this is to make sure that the two diagonal measurements are identical.
4. We recommend that you grease screws for doors and windows for easier assembly.
5. Erection of the greenhouse should only take place in calm and dry weather.
6. All frames are to be assembled around the polycarbonate as shown on the drawings. We recommend that you start with the back gable.
7. **IMPORTANT** Before assembling aluminum base, the end trough centers of four legs should match both end trough centers of side sills and front & rear sills at the same time.



# ClimaPod Assembly Tips and Tricks

## **Tools required:**

- 10mm nut driver
- 10mm open-end wrench
- Phillips head and flat head screwdriver
- Level
- Ladder
- Needle nose pliers

## **Misc. Items required:**

- WD-40 lubricant
- Silicone Caulking Sealant

Henry 212 All Purpose Crystal Clear Sealant (recommended)

*Caulking Increases the structural integrity of the greenhouse and prevents water from going into the panels. Caulking the top of the middle seam will prevent algae and water buildup.*

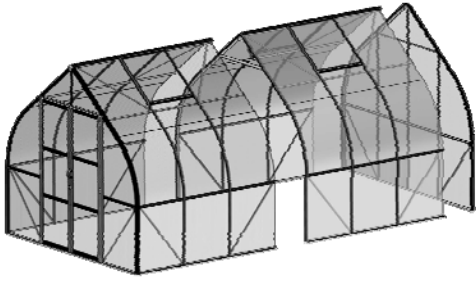
- The base has to be 100% level and square.  
*The easiest way to ensure this is to make sure that the two diagonal measurements are identical.*
- Erection of the greenhouse should only take place in calm and dry weather.
- Pre-assemble and caulk windows and doors before you erect the greenhouse
- Pre-thread aluminum profiles for window and door pieces to make assembly easier
- Keep bolts loose during assembly and avoid securely attaching side supporting aluminum strips (ref. #012 and/or #056 strips on the parts page) before the first panel arch has been inserted
- It is far easier to assemble if you have an elevated surface such as two 4'x8' pieces of plywood on sawhorses.



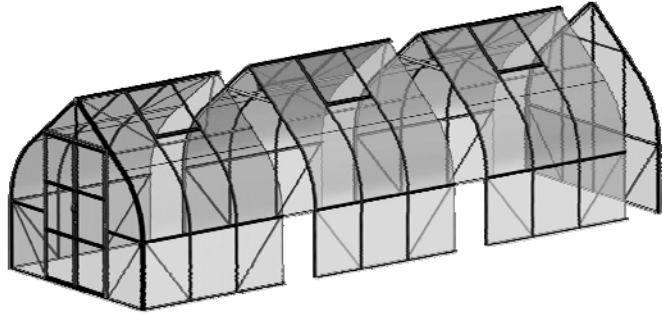
## **Basic Steps for Assembly**

1. Prepare Foundation
2. Attach and secure Base and side sills
3. Assemble and Caulk Windows and Doors
4. Assemble Gables
5. Attach Gables to base and side sills and connect with top ridge beam
6. Connect Hanging basket bar, horizontal rails, and partially connect #012 strips
7. On one side begin by inserting B panel, then crossbar, then I1 Panel
8. Secure into place with curved aluminum profile.
9. Continue the process while alternating sides.
10. When fitting final polycarbonate panels, loosen bolts to partially disconnect front gable. It will allow you to get extra space needed for fit the last panel.
11. Slide in the windows, if necessary trim upper corners of the arches
12. Install doors and additional accessories
13. Silicone caulk panel edges on the outside all around greenhouse

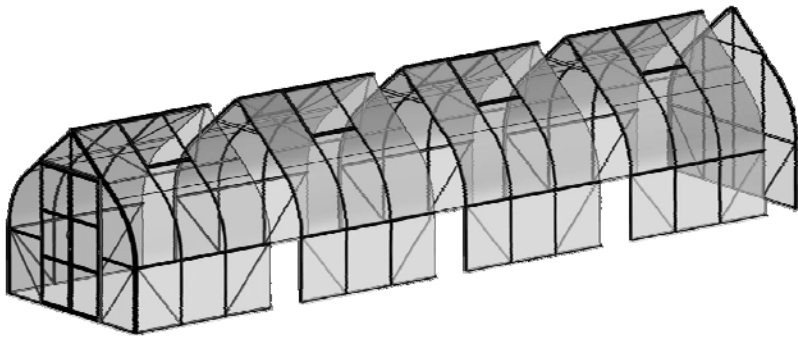
## ClimaPod VIRTUE Series



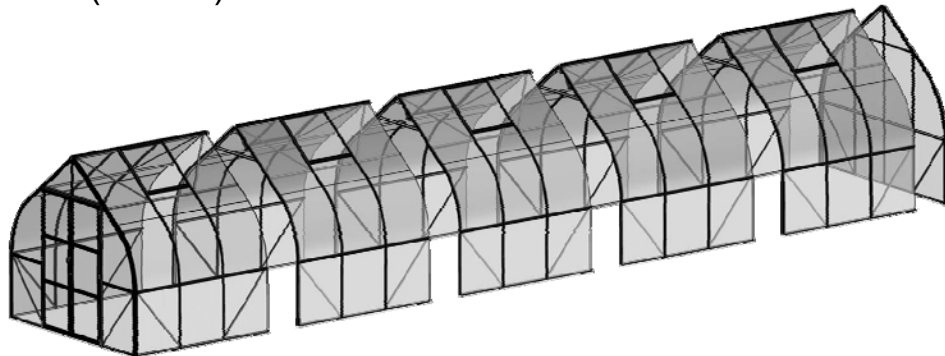
9x14 (VB914) = one VB907 Main set + one VB9 7' Extension set



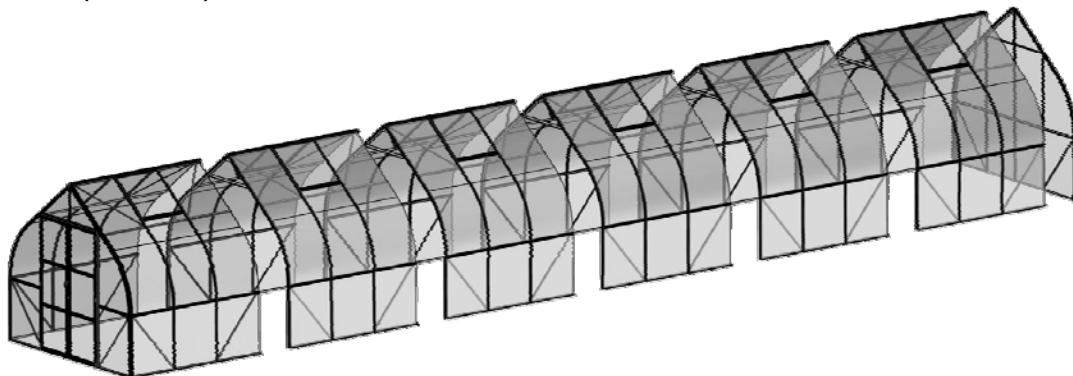
9x21 (VB921) = one VB907 Main set + two VB9 7' Extension sets



9x28 (VB928) = one VB907 Main set + three VB9 7' Extension sets



9x35 (VB935) = one VB907 Main set + four VB9 7' Extension sets



9x42 (VB942) = one VB907 Main set + five VB9 7' Extension sets

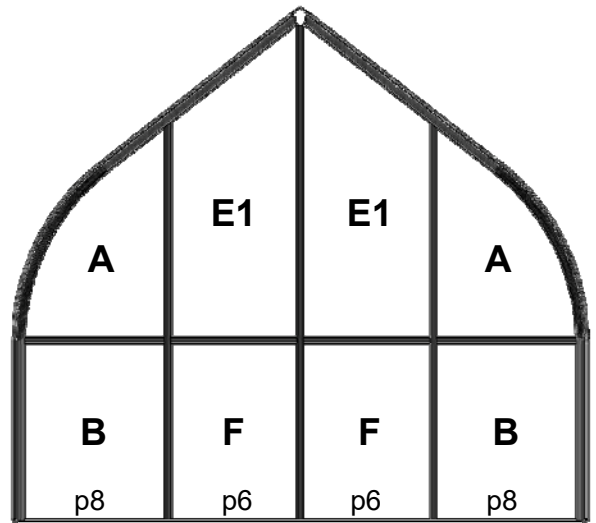
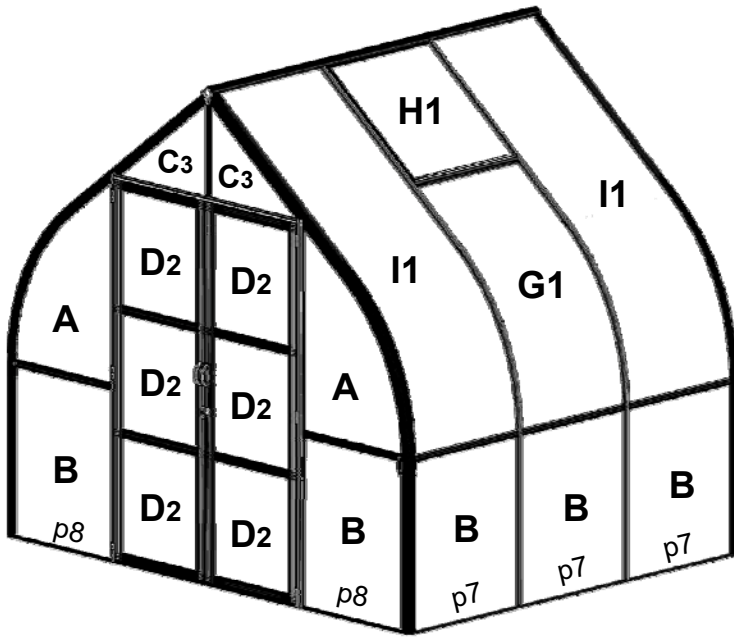
# Virtue 9x7(VB907) Parts list

This list includes parts count for the main house 9' x 7' which includes parts for front and back gables. Please see page 29 for 9' x 7' extension set parts list.

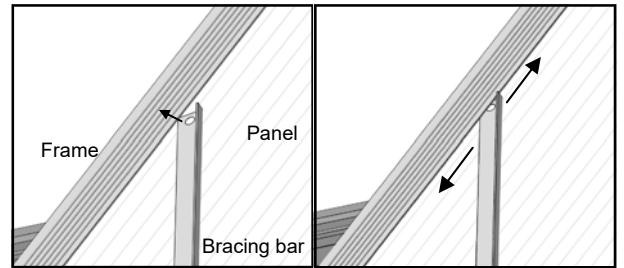
Section	Part No.	Profile	Size	Virtue V907	
R E A R	V901		2960 (9'8 <sup>9</sup> / <sub>16</sub> "	1	
	V902		2960 (9'8 <sup>9</sup> / <sub>16</sub> "	1	
	V005		1912 (6'3 <sup>1</sup> / <sub>4</sub> "	1	
	V006		1912 (6'3 <sup>1</sup> / <sub>4</sub> "	1	
	V907		2377 (7'9 <sup>9</sup> / <sub>16</sub> "	1	
	908		1268 (4'1 <sup>15</sup> / <sub>16</sub> "	1	
	V009		683 (2'2 <sup>7</sup> / <sub>8</sub> "	2	
	V010		594 (1'11 <sup>3</sup> / <sub>8</sub> "	2	
	911		2662 (8'8 <sup>13</sup> / <sub>16</sub> "	1	
	012		1100 (3'7 <sup>5</sup> / <sub>16</sub> "	2	
	V913		2662 (8'8 <sup>13</sup> / <sub>16</sub> "	1	
	F R O N T	V901		2960 (9'8 <sup>9</sup> / <sub>16</sub> "	1
		V902		2960 (9'8 <sup>9</sup> / <sub>16</sub> "	1
V009			683 (2'2 <sup>7</sup> / <sub>8</sub> "	2	
012			1100 (3'7 <sup>5</sup> / <sub>16</sub> "	2	
V071			1916 (6'3 <sup>7</sup> / <sub>16</sub> "	1	
V072			1916 (6'3 <sup>7</sup> / <sub>16</sub> "	1	
V916			2662 (8'8 <sup>13</sup> / <sub>16</sub> "	1	
V973			484 (1'7 <sup>1</sup> / <sub>16</sub> "	1	
V205			1268 (4'1 <sup>59</sup> / <sub>64</sub> "	1	
V229			707 (2'3 <sup>13</sup> / <sub>16</sub> "	2	
R O O F / S I D E		V021		2197 (7'2 <sup>1</sup> / <sub>2</sub> "	1
		V026		2176 (7'1 <sup>11</sup> / <sub>16</sub> "	2
		031		2163 (7'1 <sup>3</sup> / <sub>16</sub> "	2
	036		2163 (7'1 <sup>3</sup> / <sub>16</sub> "	2	
	012		1100 (3'7 <sup>5</sup> / <sub>16</sub> "	8	
	V042		683 (2'2 <sup>7</sup> / <sub>8</sub> "	6	
	V943		2954 (9'8 <sup>5</sup> / <sub>16</sub> "	4	
	955		400 (1'3 <sup>3</sup> / <sub>4</sub> "	2	

Section	Part No.	Profile	Size	Virtue V907
V E N T	V042		683 (2'2 <sup>7</sup> / <sub>8</sub> "	2
	V044		698 (2'3 <sup>1</sup> / <sub>2</sub> "	2
	V045		698 (2'3 <sup>1</sup> / <sub>2</sub> "	2
	V946		750 (2'5 <sup>1</sup> / <sub>2</sub> "	4
	047		300 (11 <sup>13</sup> / <sub>16</sub> "	2
	048		200 (7 <sup>7</sup> / <sub>8</sub> "	2
D O O R	V219		1855 (6'1 <sup>1</sup> / <sub>32</sub> "	2
	V220		1855 (6'1 <sup>1</sup> / <sub>32</sub> "	1
	V221		1855 (6'1 <sup>1</sup> / <sub>32</sub> "	1
	V216		603 (1'11 <sup>47</sup> / <sub>64</sub> "	4
	V218		603 (1'11 <sup>47</sup> / <sub>64</sub> "	4
	a1		M6x10	100
	a2		M6	126
	a4		Φ4.2x9.5	4
	a5		Φ3.5x19	36
	a8		M6x15	6
	a9		M6x15 crop	4
	a19		M6x8	18
	a28		M4x16	4
	a29		M4	4
	a31		M4	2
	a32		M4x20	2
	m1		-	2
	m3		-	2
	m24		-	4
	h4		-	4
	h5		-	2
	h6		-	6
	h7		-	6
	p1		-	2
	p3		-	4
	s5		-	2
			563 (1'10 <sup>11</sup> / <sub>64</sub> "	12
	384		-	2
	FLUFF		2.4m	1
	Rubber		5.9m	1

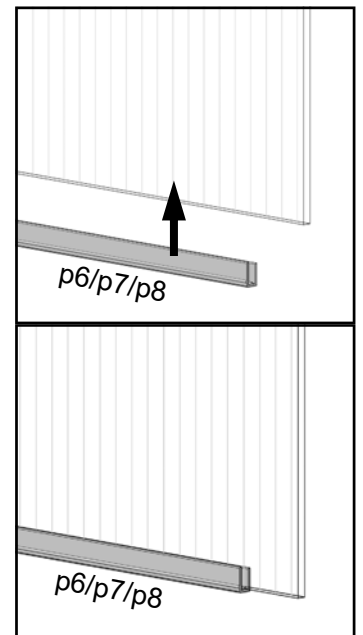
# Polycarbonate sheet



**Note:** If panel edge can't enter into aluminum Frame channel, please use a bracing bar to squeeze panel edge into channel.











#	Size	Virtue VB907
A	700x1049 (2'3 <sup>9</sup> / <sub>16</sub> " x 3'5 <sup>5</sup> / <sub>16</sub> " )	4
B	700x842 (2'3 <sup>9</sup> / <sub>16</sub> " x 2'9 <sup>1</sup> / <sub>8</sub> " )	10
C3	597x38/506 (1'11 <sup>1</sup> / <sub>2</sub> " x 1 <sup>1</sup> / <sub>2</sub> " / 1'7 <sup>59</sup> / <sub>64</sub> " )	2
D2	540x577 (1'9 <sup>17</sup> / <sub>64</sub> " x 1'10 <sup>23</sup> / <sub>32</sub> " )	6
E1	610x1534/1057 (2' x 5'3 <sup>3</sup> / <sub>8</sub> " / 3'5 <sup>5</sup> / <sub>8</sub> " )	2
F	610x842 (2' x 2'9 <sup>1</sup> / <sub>8</sub> " )	2
G1	700x1330 (2'3 <sup>9</sup> / <sub>16</sub> " x 4'4 <sup>3</sup> / <sub>8</sub> " )	2
H1	696x731 (2'3 <sup>3</sup> / <sub>8</sub> " x 2'4 <sup>3</sup> / <sub>4</sub> " )	2
I1	700x2110 (2'3 <sup>9</sup> / <sub>16</sub> " x 6'11 <sup>1</sup> / <sub>16</sub> " )	4
p6	592 (1'11 <sup>5</sup> / <sub>16</sub> " )	2
p7	682 (2'2 <sup>7</sup> / <sub>8</sub> " )	6
p8	660 (2'2"	4

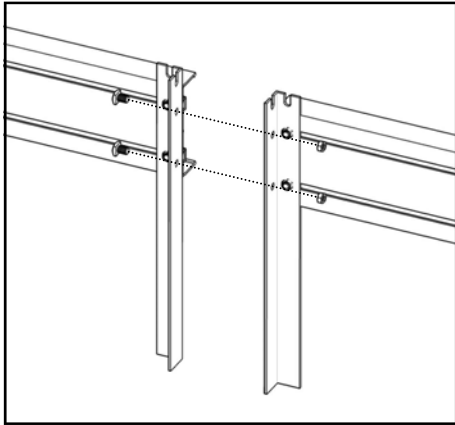
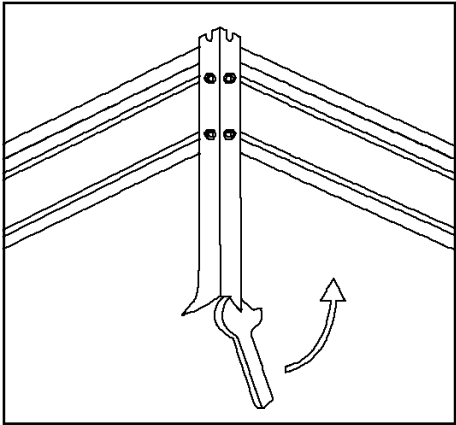


This page shows the positioning of the polycarbonate panels for the front and rear gable as well as the roof and the sides. It also indicates where the gray plastic parts #P6, #P7 and #P8 are used. When fitting parts #P6/P7/P8 on the ends of the panels, try using a narrow piece of bar soap through the part first. It will allow them to slide on the panel's edges much easier. #P6/P7/P8 must be fitted on one end of polycarbonate in advance before polycarbonate is inserted into aluminum frame. The square illustration on the page shows the placement of the gray plastic U shape strips.

# Step 1

# Aluminum Base

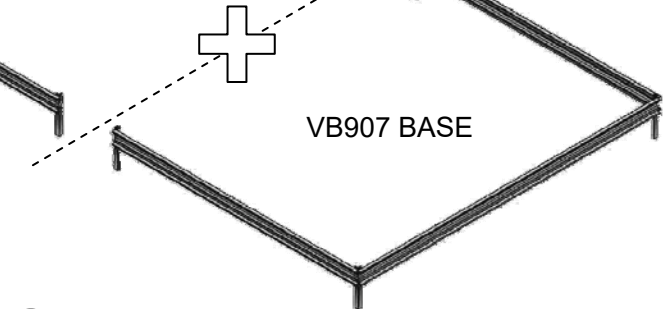
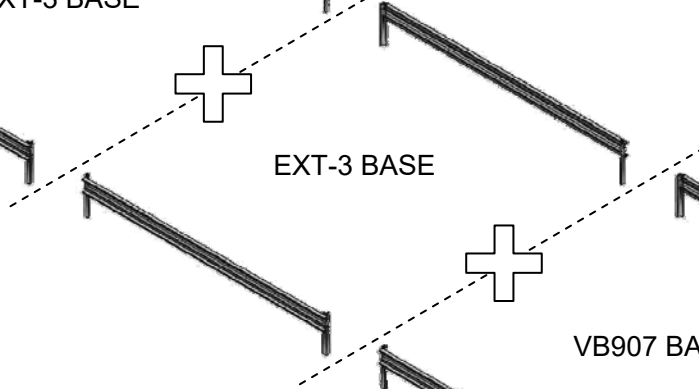
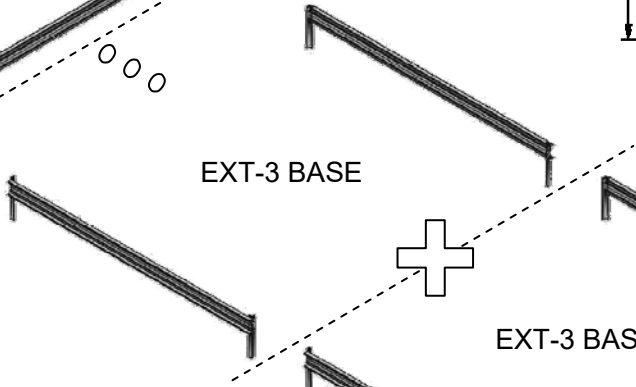
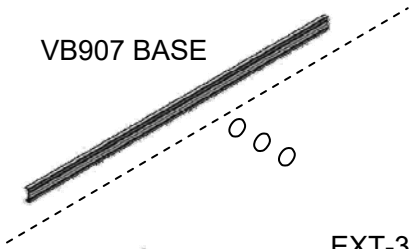
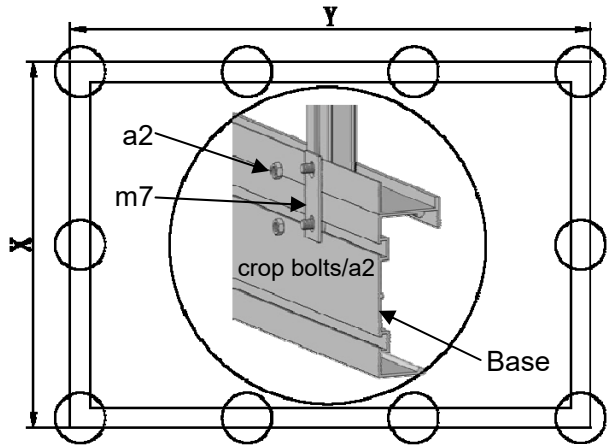
Model	Gable profiles	Side profiles	Anchor leg	Fixing tab	Bolts/nuts		Crop bolts	Washer
								
VB907	2x2664(8'8 <sup>7</sup> / <sub>8</sub> "	2x2174(7'1 <sup>9</sup> / <sub>16</sub> "	4	9	16	25	9	8
EXT-3	-	2x2148(7'9 <sup>9</sup> / <sub>16</sub> "	4	4	16	20	4	8



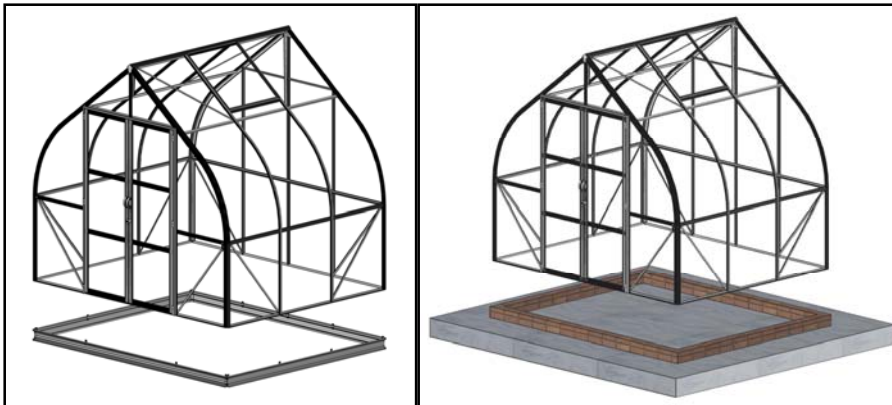
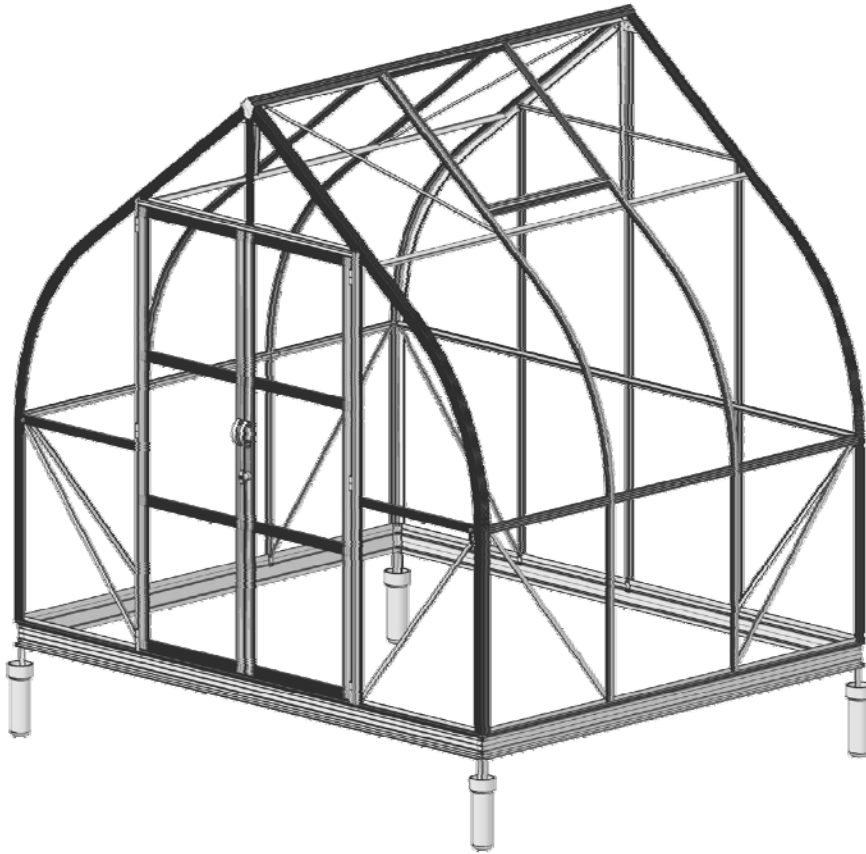
**Note:**

For 7' main house (9x7), 16 pcs square bolts and nuts used for 4 legs, you need to insert into base channel in advance. 9 pcs cropped head bolts and nuts used for base fixing connector #m7. (no need to insert in advance)

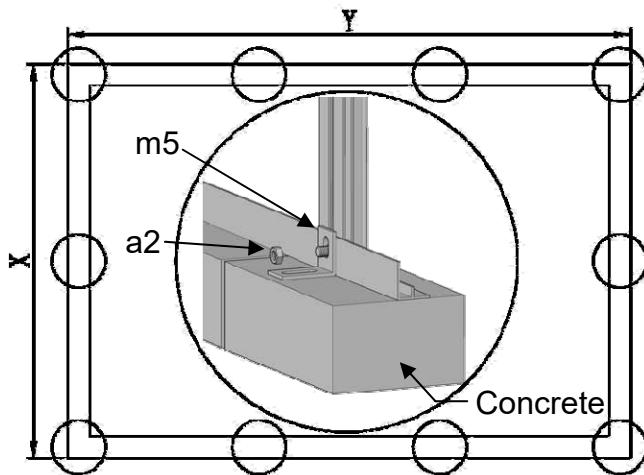
For each 7' Extension set that would build the size you ordered, 16 pcs square bolts and nuts used for 4 legs, you need to insert into base channel in advance. 4 pcs cropped head bolts and nuts used for base fixing connector #m7. (no need to insert in advance)




# Base



Assembly without base (on concrete slab or wooden deck)



	
#	m5
VB907	13
EXT-3	6

Part No. m5 shows a bracket used to secure the inside base when not using the original supplier's foundation.

Prior to the assembly of the greenhouse, you should have a 10 mm nut driver, 10 mm open-end wrench, Philips head and slotted screw driver, level, and WD-40 lubricant.

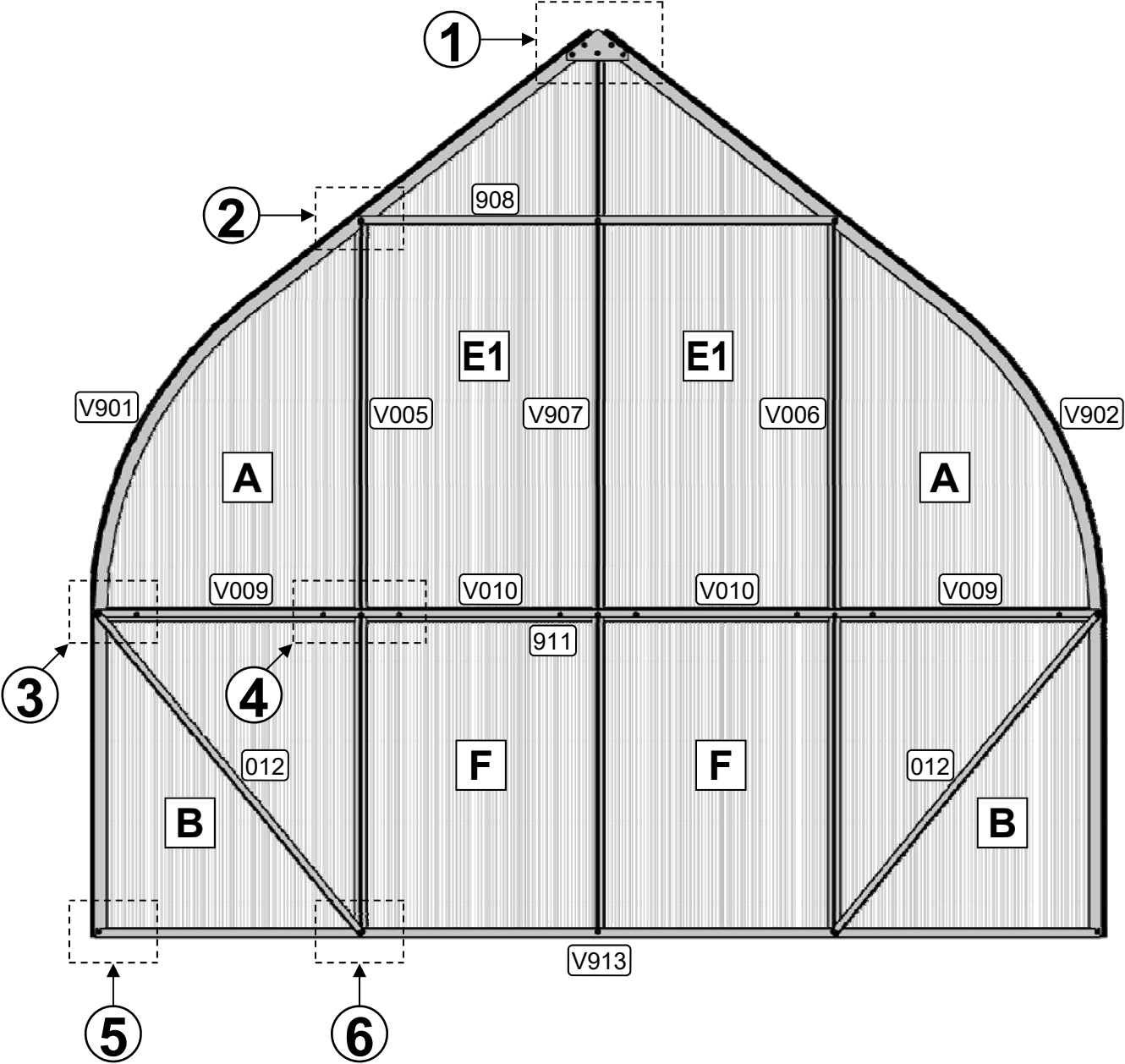
# Step 2

# Rear Gable

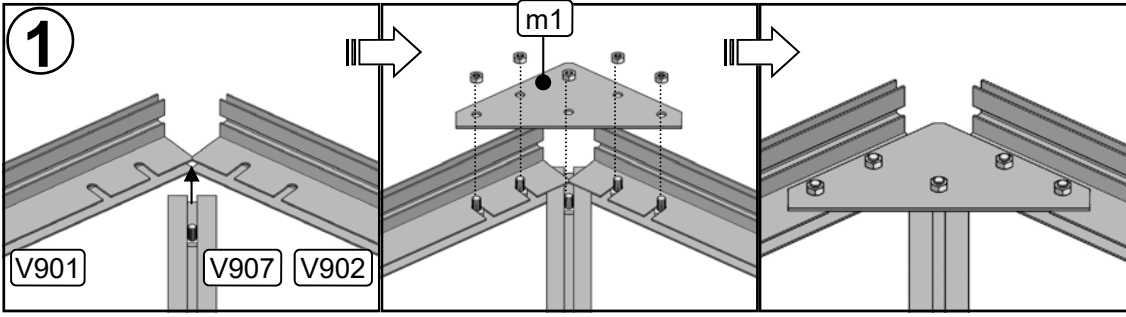
Package No.1

With this page, you will assemble the rear gable (back). It is far easier if you have an elevated surface such as two 4'x8' pieces of plywood on a sawhorses. If not, lay the aluminum profiles out on a hard surface as shown in the main illustration. Remember you are building from the inside with the outside facing down. Start with one of the "E1" panels and build the aluminum around the polycarbonate panel. the polycarbonate side with the opal film/text must facing down.

Part No.	V901	V902	V005	V006	V907	908	V009	V010	911	012	V913	m1	a1	a2	a9	p1	p6	p8
Size	2960 9'8 <sup>9</sup> / <sub>16</sub> "	2960 9'8 <sup>9</sup> / <sub>16</sub> "	1912 6'3 <sup>1</sup> / <sub>4</sub> "	1912 6'3 <sup>1</sup> / <sub>4</sub> "	2377 7'9 <sup>9</sup> / <sub>16</sub> "	1268 4'1 <sup>15</sup> / <sub>16</sub> "	683 2'2 <sup>7</sup> / <sub>8</sub> "	594 1'11 <sup>3</sup> / <sub>8</sub> "	2662 8'8 <sup>13</sup> / <sub>16</sub> "	1100 3'7 <sup>5</sup> / <sub>16</sub> "	2662 8'8 <sup>13</sup> / <sub>16</sub> "	-	M6x10	M6	M6x15	-	592 1'11 <sup>5</sup> / <sub>16</sub> "	660 2'2"
Qty	1	1	1	1	1	1	2	2	1	2	1	1	24	26	2	1	2	2

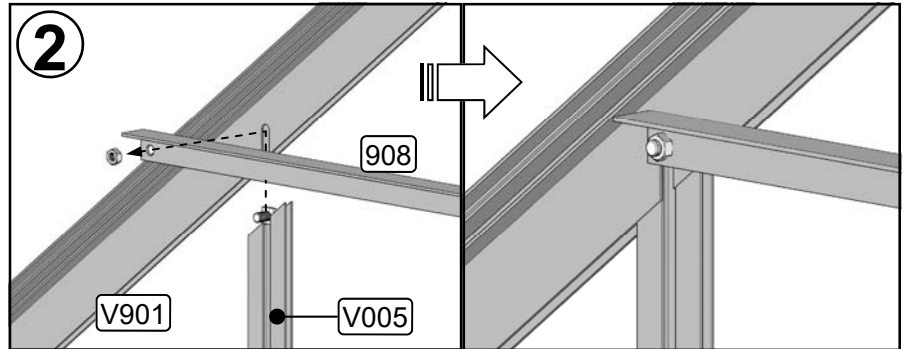




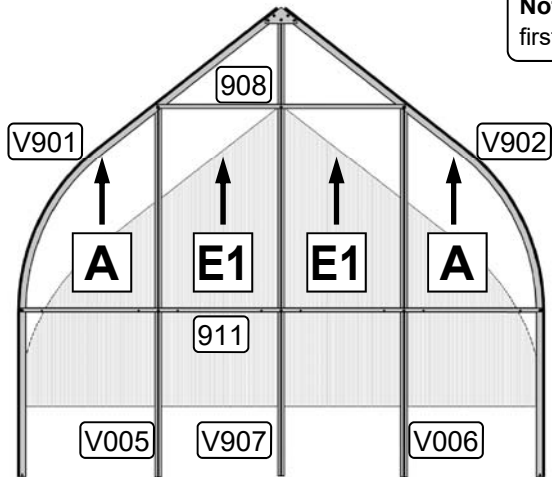


**Square No.1** This the Ridge. The square headed bolt slides into the channel in part #V901 & #V902, and connect them with part #m1, Our bolts and nuts were made of stainless steel.

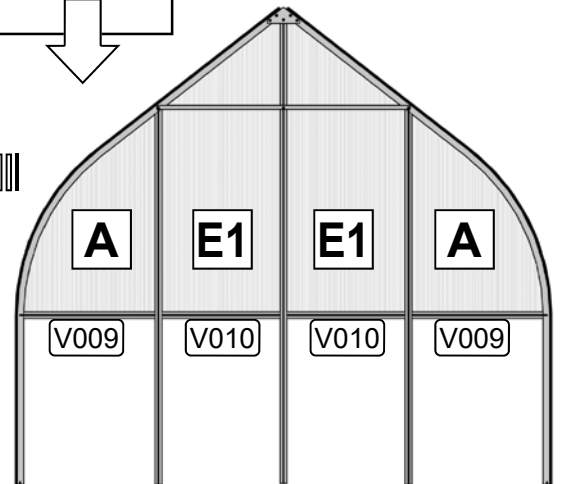
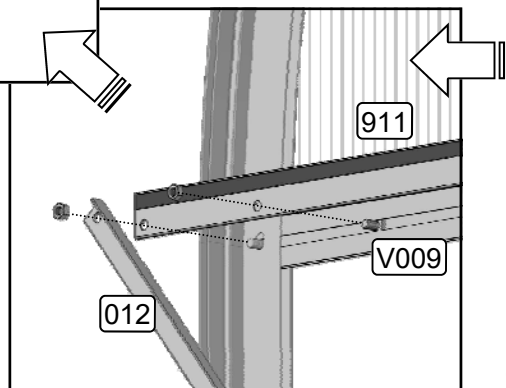
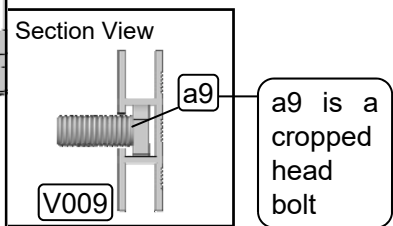
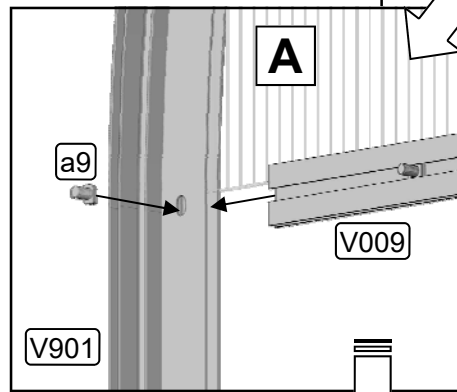
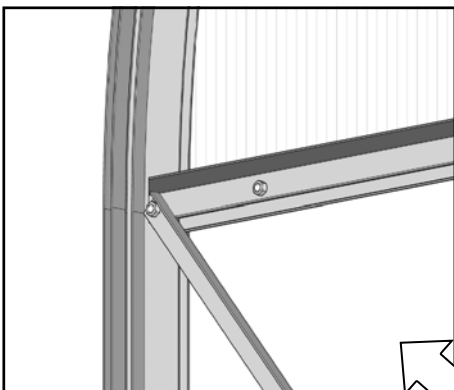
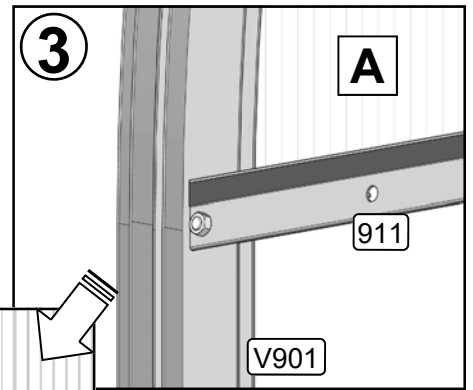
**Square No.2** Insert part #V005 into Part #V901 channel, contact with part #908 together, Please insert extra bolt #a1 into the channel of Part #V005 for attaching part #911 use later. Do the same for the opposite end.

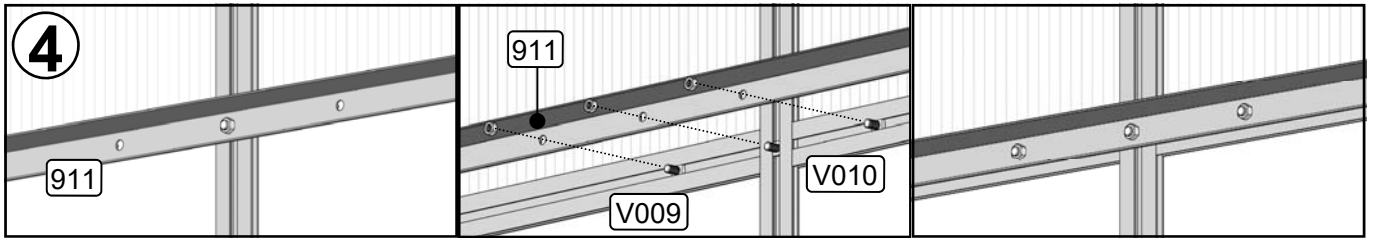


**Note:** Please connect Part #911 with Part #V901, #V902, #V005, #V006, #V907 firstly before you are inserting PC panel #A & #E1 into profiles' channel.

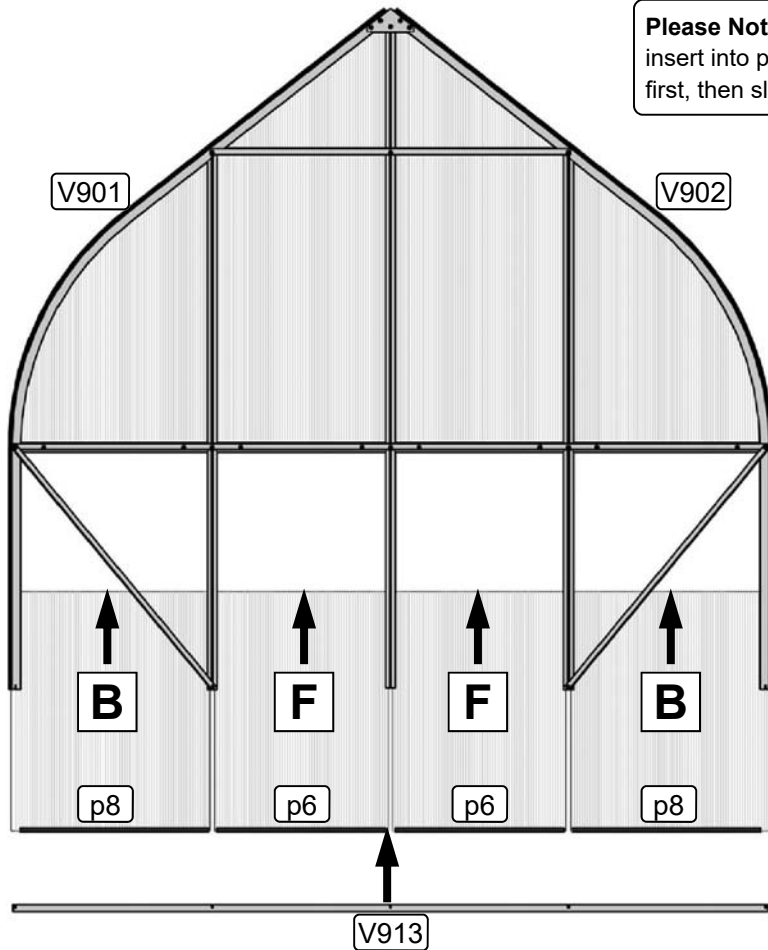


**Square No.3** After PC panels in position, then dismantle part #911 and adjust the distance same between PC panel and keyway edge.

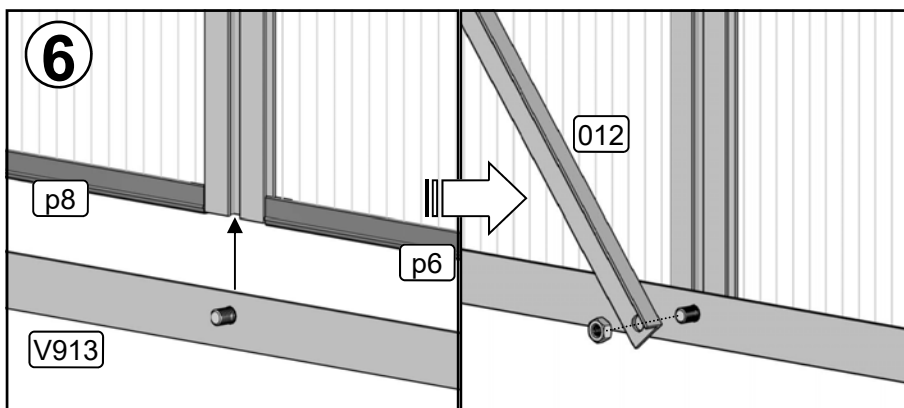
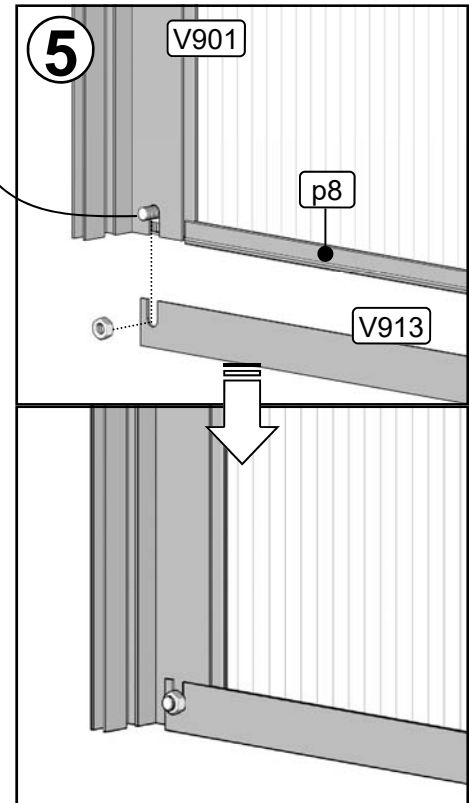




**Square No. 4** Assembly part #V009, #V010 in place, then connect with part #911 again.



**Please Note:** Don't let this bolt block polycarbonate panel to insert into part #V901&V902 alu. frame channel. Insert PC panel first, then slide this bolt in part #V901&V902 profile's trough.



**Square No. 5**  
Inserting PC panel #B,#F in profiles' channel. With PVC anti-dust strip #p6 & #p8 on bottom.

**Square No.6**  
Connect Part #V913.

**Please note:** 4 Bolts will need to be slid into each Part #V901 and #V902 for ridge, hanging basket bar or horizontal rail and side sill beam in advance, Finger tightens the nuts for later use.(Bolts and nuts in Package No.3 of Roof/Side wall)

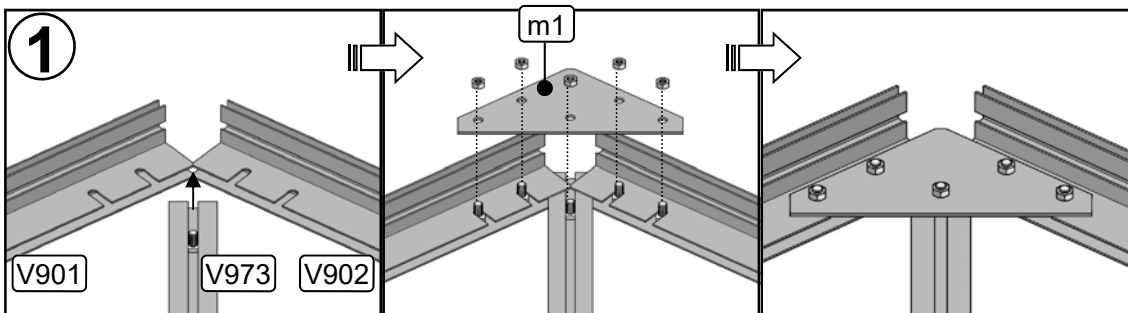
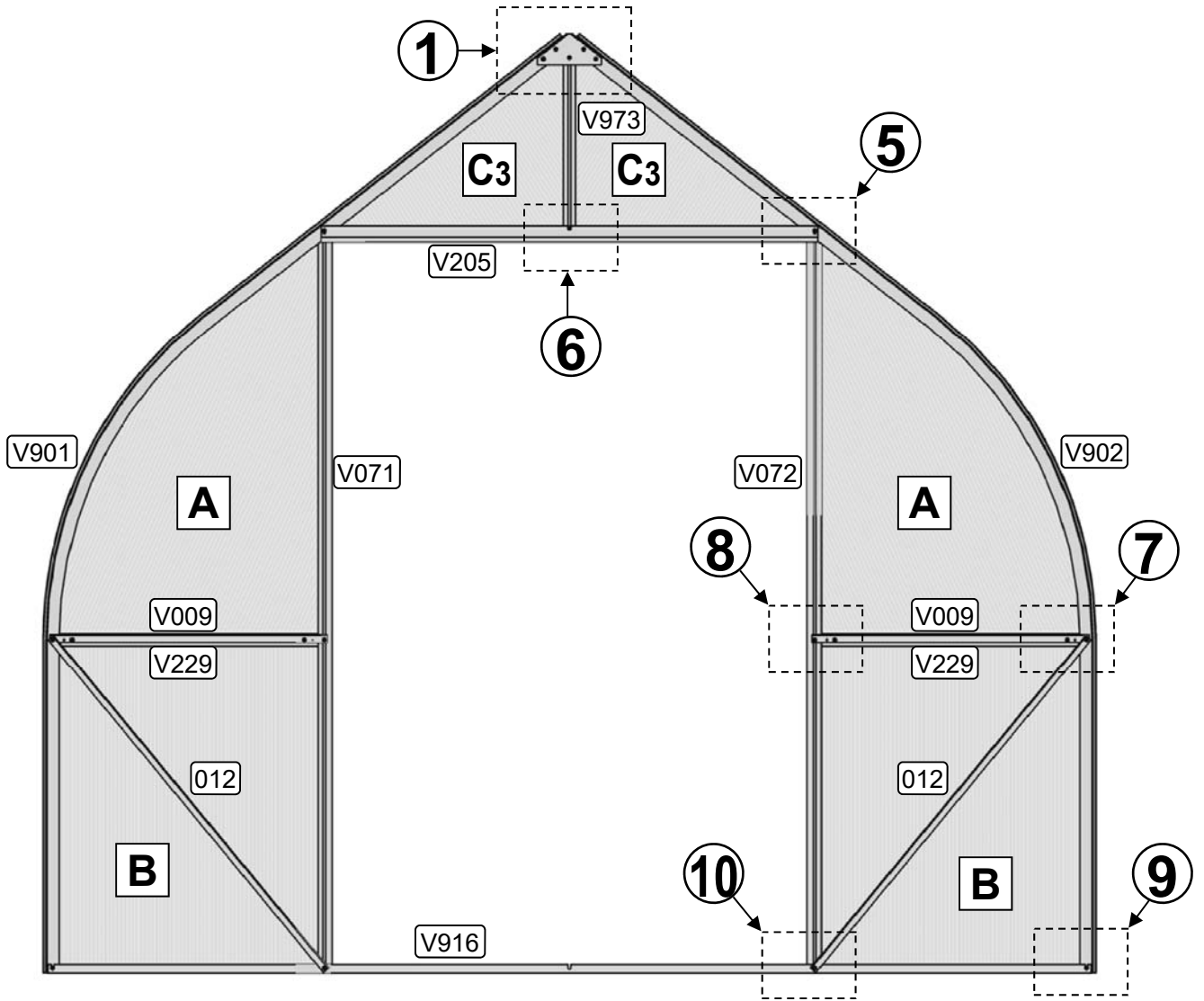
When finished with the back gable, position and securing away from the wind so it does not blow over and cause damage.

# Step 3

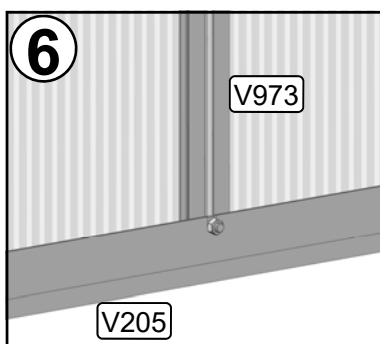
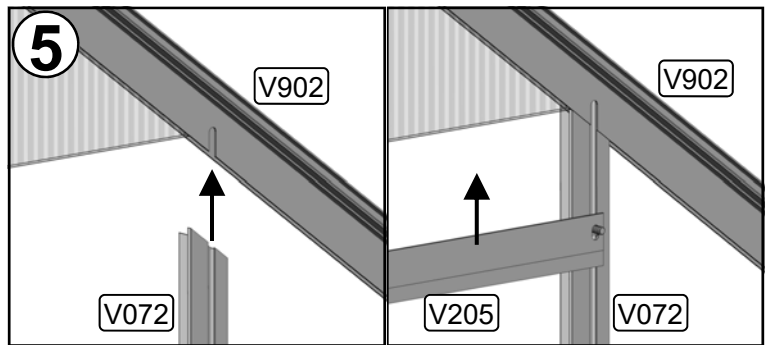
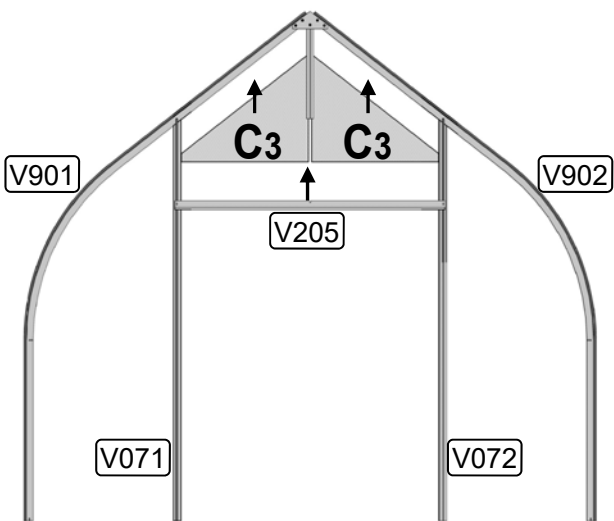
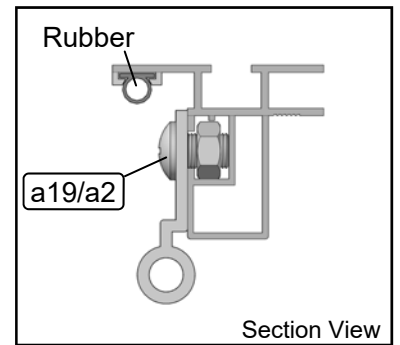
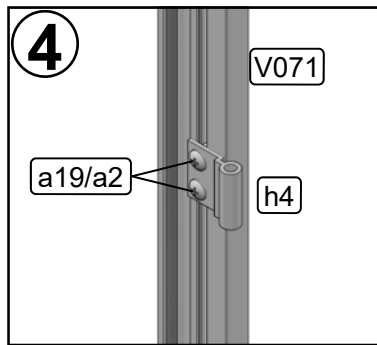
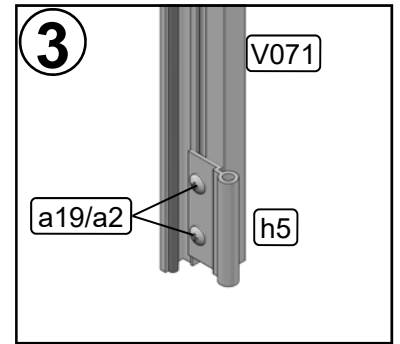
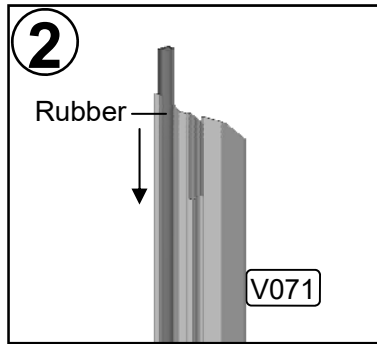
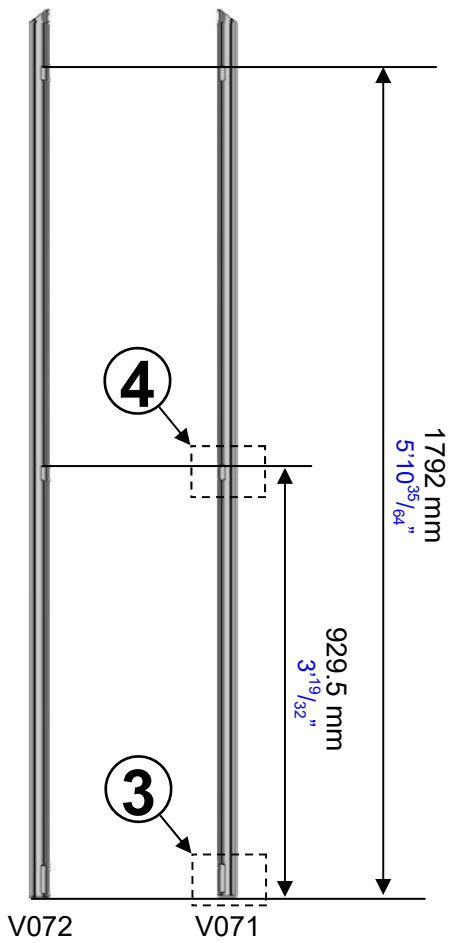
# Front Gable

Package No.2

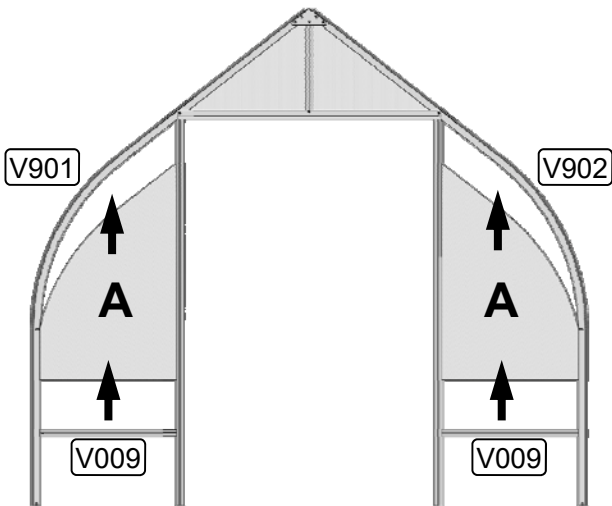
#	V901	V902	V071	V072	V205	V973	V009	V916	V229	012
Size	2960 9'8 <sup>9</sup> / <sub>16</sub> "	2960 9'8 <sup>9</sup> / <sub>16</sub> "	1916 6'3 <sup>7</sup> / <sub>16</sub> "	1916 6'3 <sup>7</sup> / <sub>16</sub> "	1268 4'1 <sup>59</sup> / <sub>64</sub> "	484 1'7 <sup>1</sup> / <sub>16</sub> "	683 2'2 <sup>7</sup> / <sub>8</sub> "	2662 8'8 <sup>13</sup> / <sub>16</sub> "	707 2'3 <sup>13</sup> / <sub>16</sub> "	1100 3'7 <sup>5</sup> / <sub>16</sub> "
Qty	1	1	1	1	1	1	2	1	2	2
#	m1	h4	h5	a1	a2	a9	a19	Rubber	p1	p8
Size	-	30	60	M6x10	M6	M6x15	M6x8		-	660
Qty	1	4	2	18	32	2	12	4 Meter	1	2



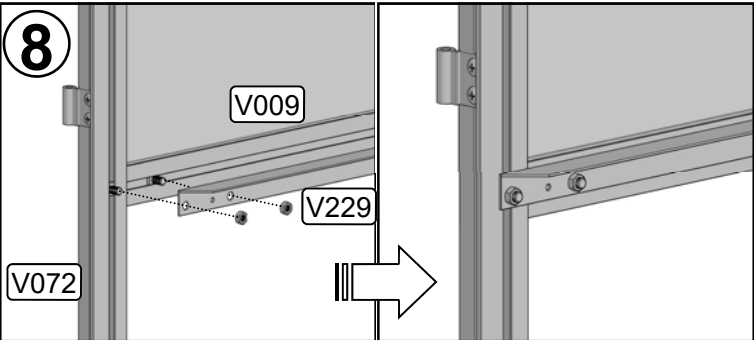
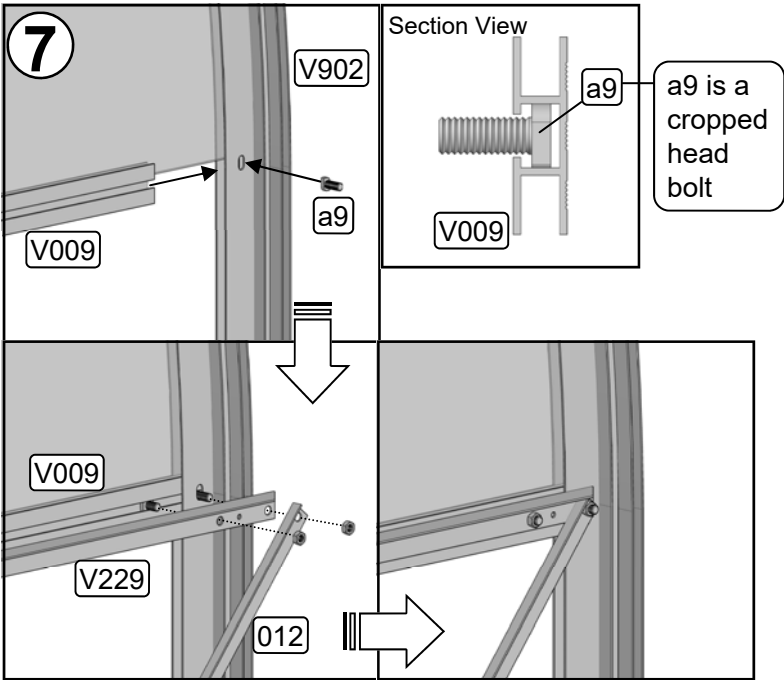
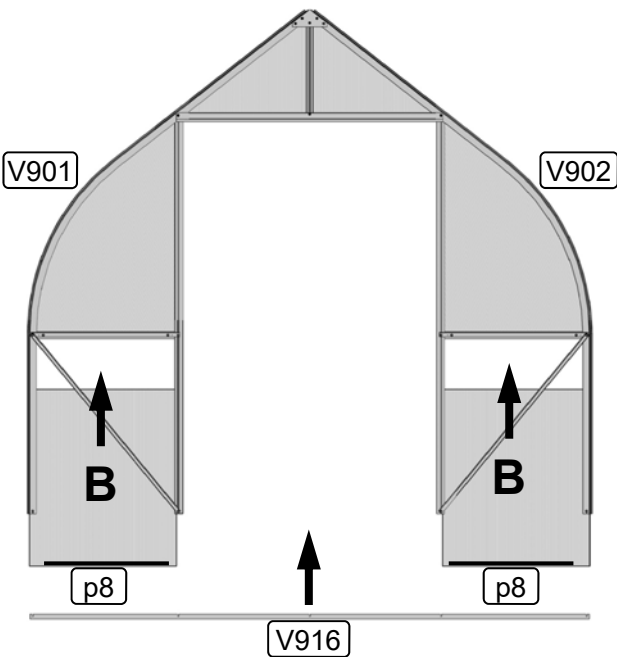
**Square No.1**  
this step is very much like the rear gable.



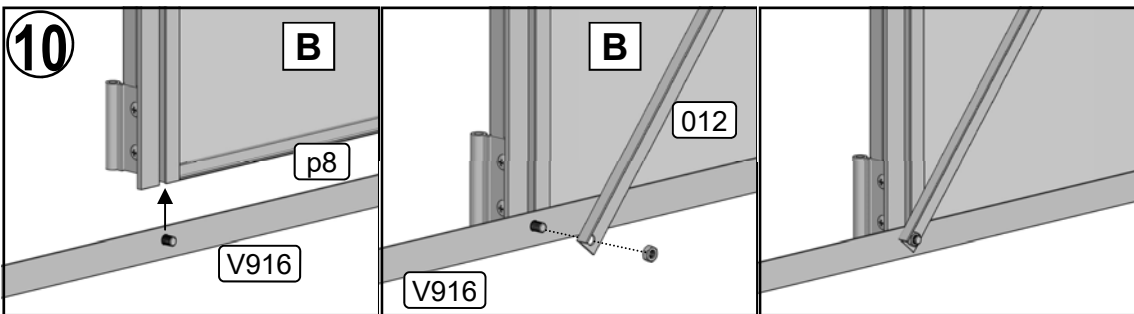
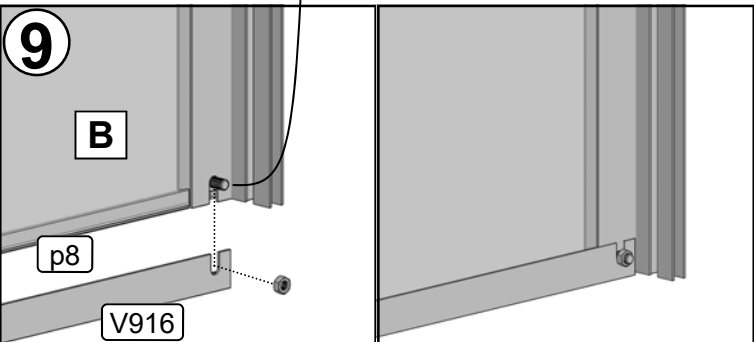
**Square No.7** After PC panels in position, then adjust the distance same between PC panel and keyway edge.



**Square No.8** Use the part #V229 to connect the part #V009 & #V072.



**Please Note:** Don't let this bolt block polycarbonate panel to insert into part #V901&V902 alu. frame channel. Insert PC panel first, then slide this bolt in part #V901&V902 profile's trough.



**Square No. 9** Inserting PC panel #B in profiles' channel. With PVC anti-dust strip #p8 on bottom.

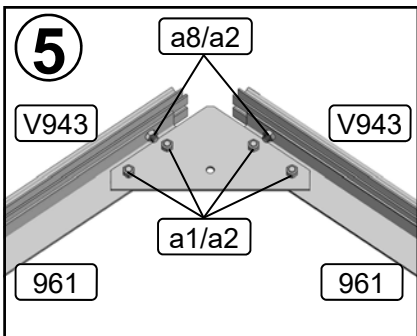
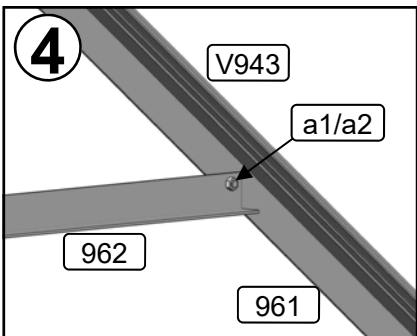
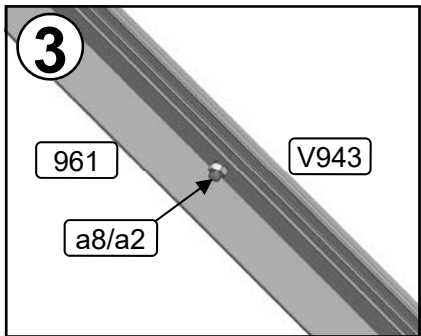
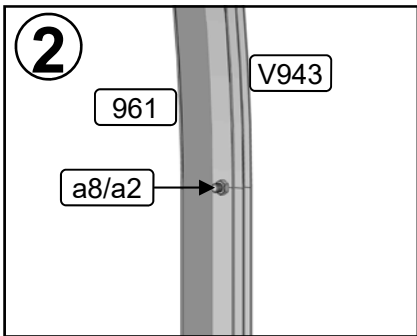
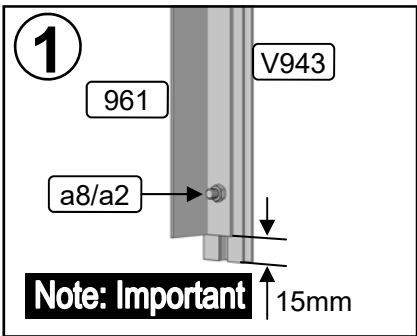
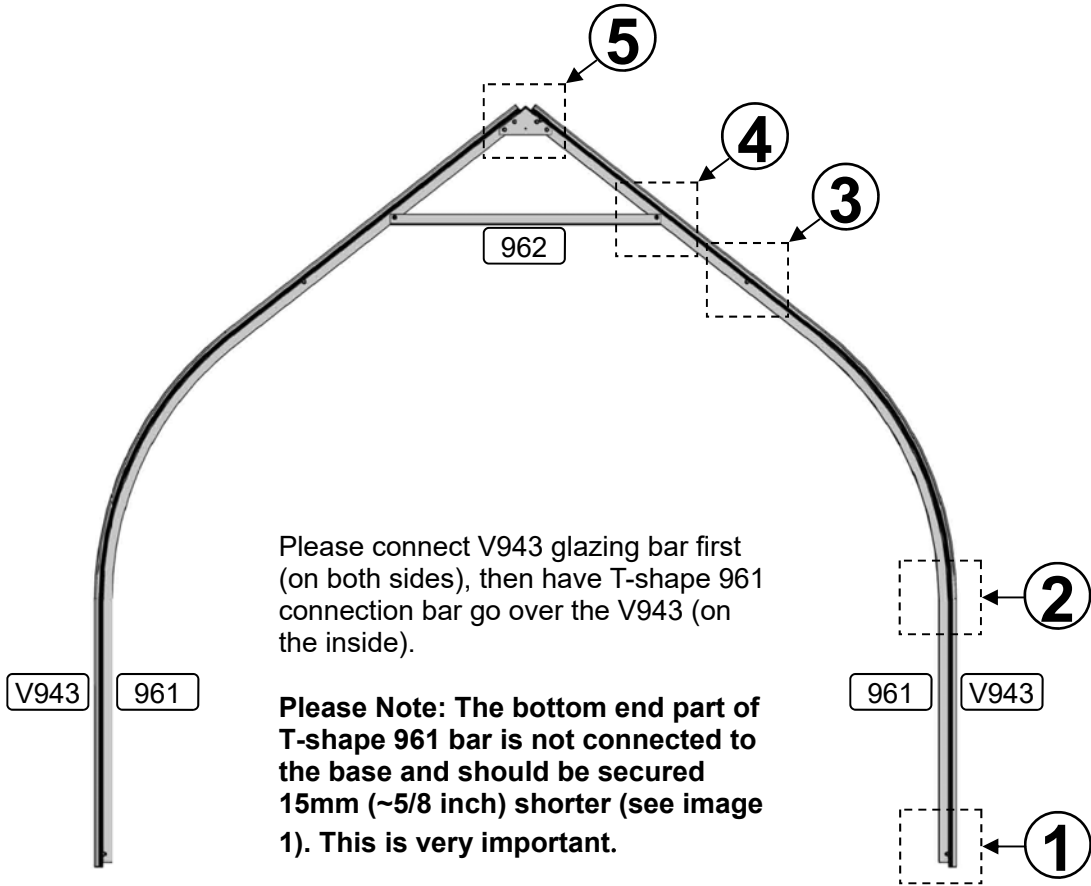
**Square No.10** Connect Part #V916.

**Please note:** 4 Bolts will need to be slid into each Part #V901 and #V902 for Ridge, hanging basket bar or horizontal rail and Side sill beam in advance, Finger tightens the nuts for later use.(Bolts and nuts in Package No.3 of Roof/Side wall)

# Step 4

# Virtue 7' Extension (V9 EXT A-Frame)

Part No.	V943	961	962	m1	a1	a2	a8
Size	2954 (9'8 <sup>5</sup> / <sub>16</sub> " )	2921 (9'7" )	850 (2'9 <sup>7</sup> / <sub>16</sub> " )	-	M6x10	M6	M6x15
Qty	2	2	1	1	6	14	8

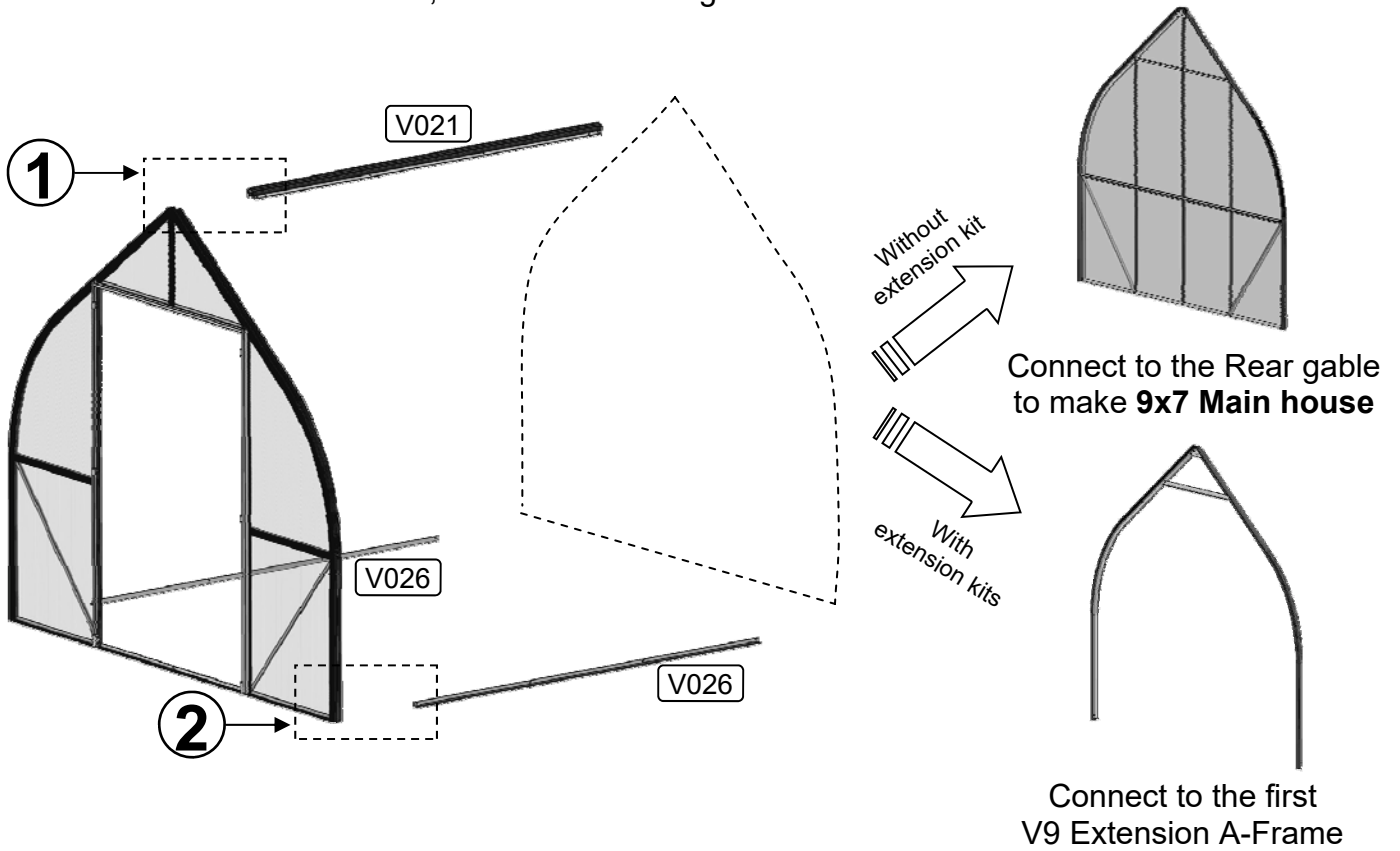




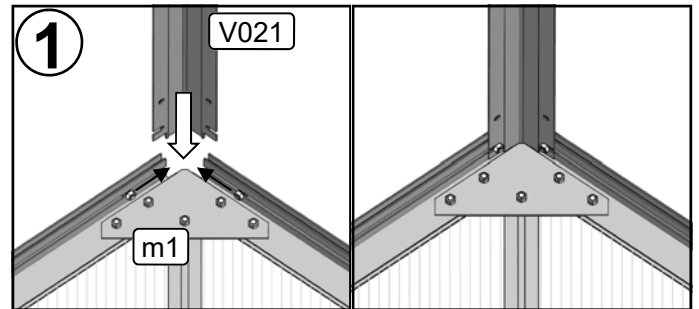
# Step 5

For 9x7 greenhouse, connect Front gable directly with Rear gable by ridge and side sill beam.

For longer greenhouse sizes connect Front Gable with the first A-Frame (as shown on page 20) by ridge and side sill beam, and then continue connecting other extension sets in the same way. When you have connected all 7' extensions included, connect the Rear gable.



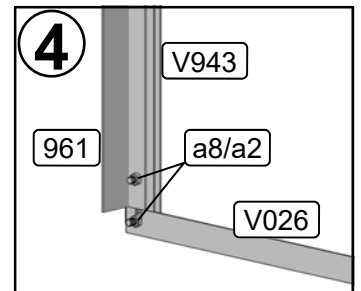
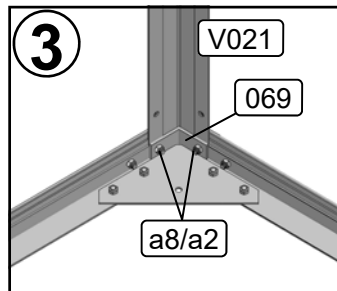
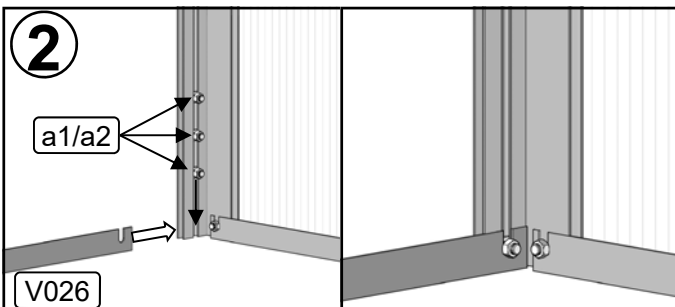
	Part No.	Size	Virtue V907
	V021	2197 7' 2 1/2"	1
	V026	2176 7' 1 11/16"	2



**Square No.1** Attaching the ridgepole to the gables, this is where you may have to adjust bolts in plate #m1 to fit the pole into gables. Slide the bolt with the nut on up the trough of ridgepole and tighten.

**Square No.2** Connect side sill beam with curved corner bar, this can be one of the easiest. This is where you will use an open-end 10mm wrench. Because of the tight corner, it is difficult to work with the nut driver. Once you have attached side sill to curved corner bar, bring the corner together and slide the bolt down into the slot. Tighten with the open-end wrench.

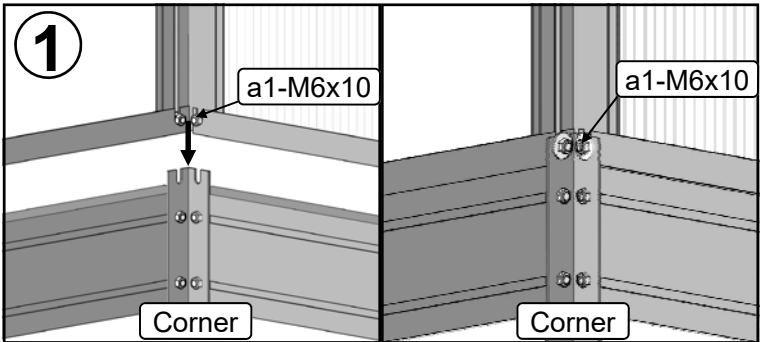
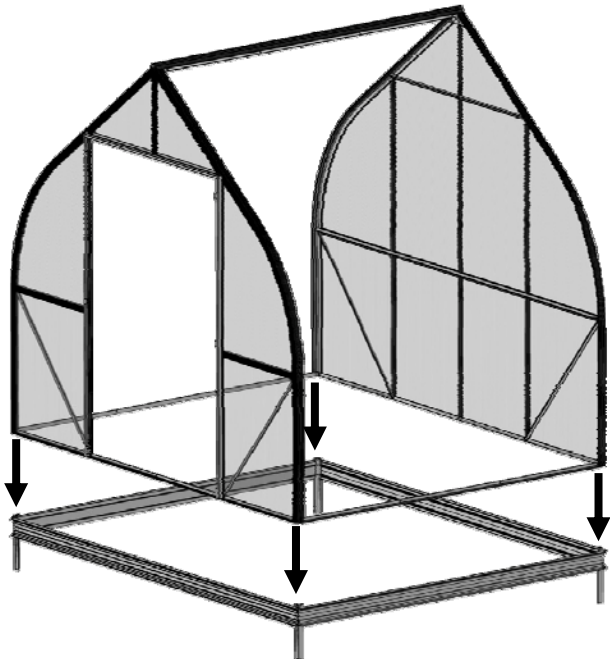
## Connect with A-Frame



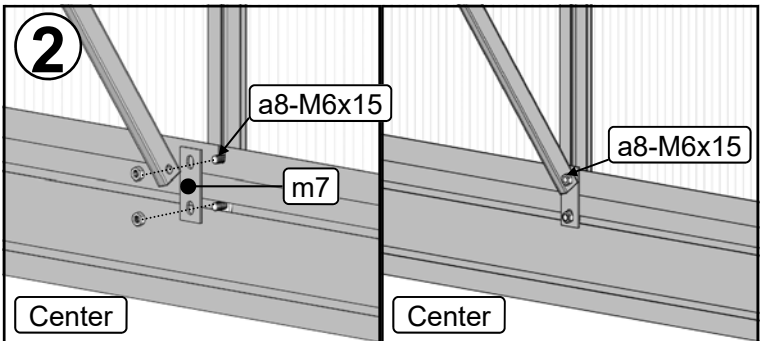


# Step 6

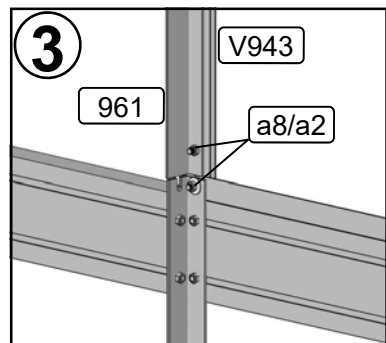
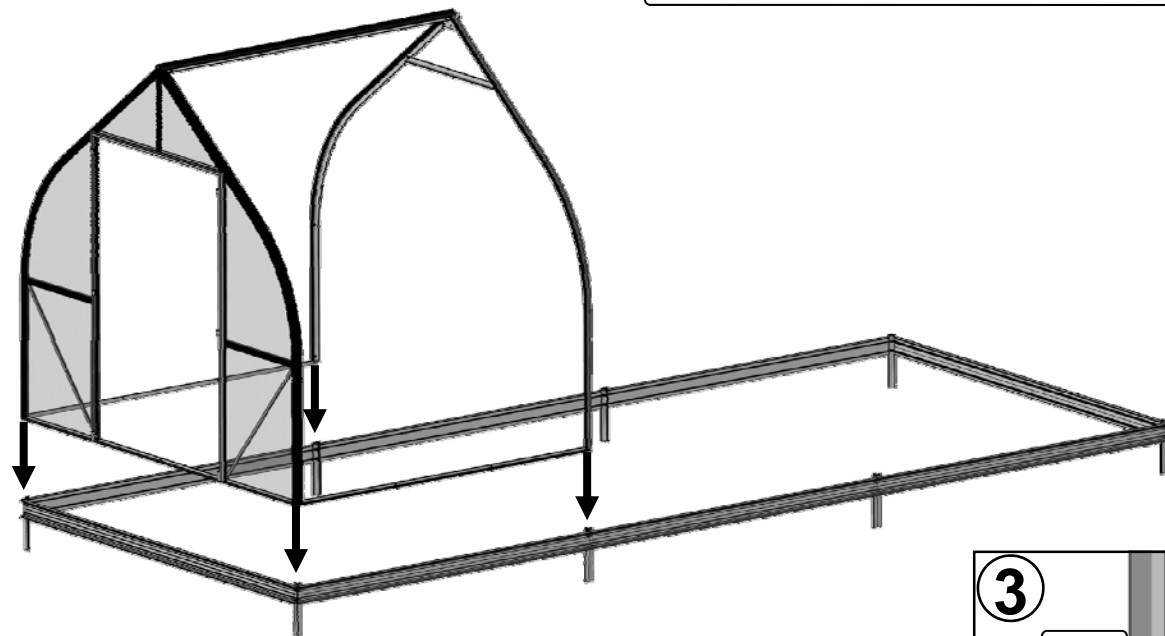
## Connecting greenhouse to Aluminum Base.



**Square No.1** You may loosen the bolts in corners and re-tighten it at the trough of base legs.



**Square No.2** Assemble greenhouse frame on base by connector m7 in the middle of bottom.



With Alu. base

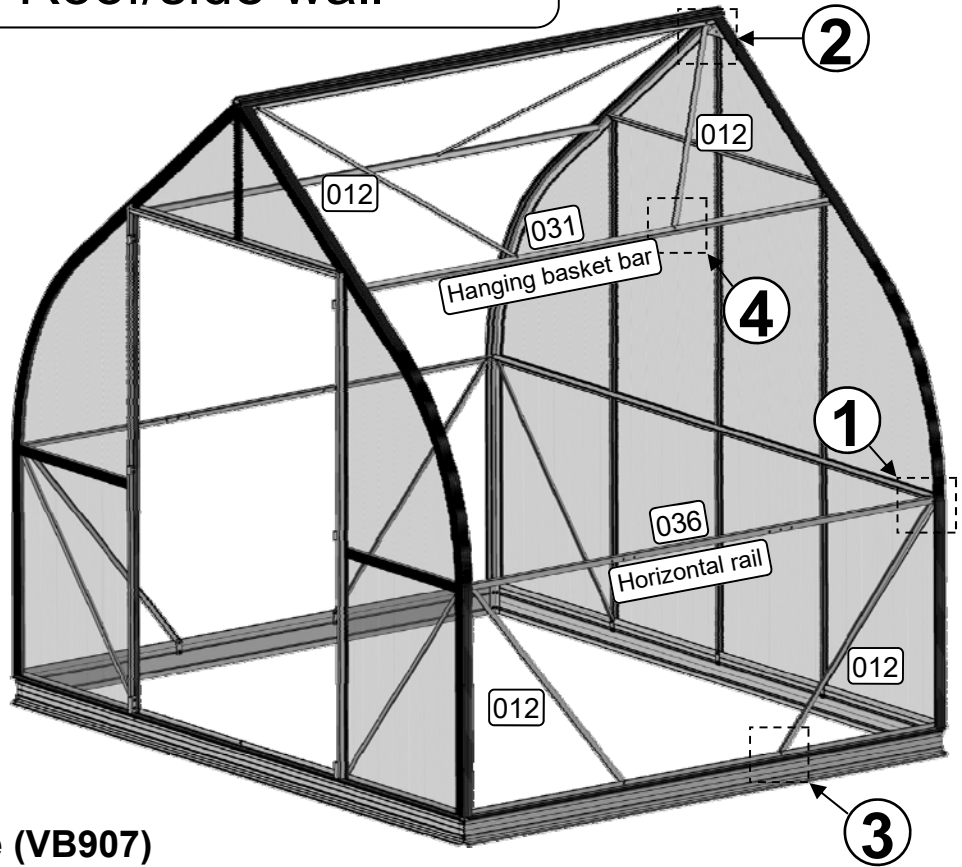
# Step 7

## Virtue 9x7 main house (VB907) Roof/side wall

Package No.3

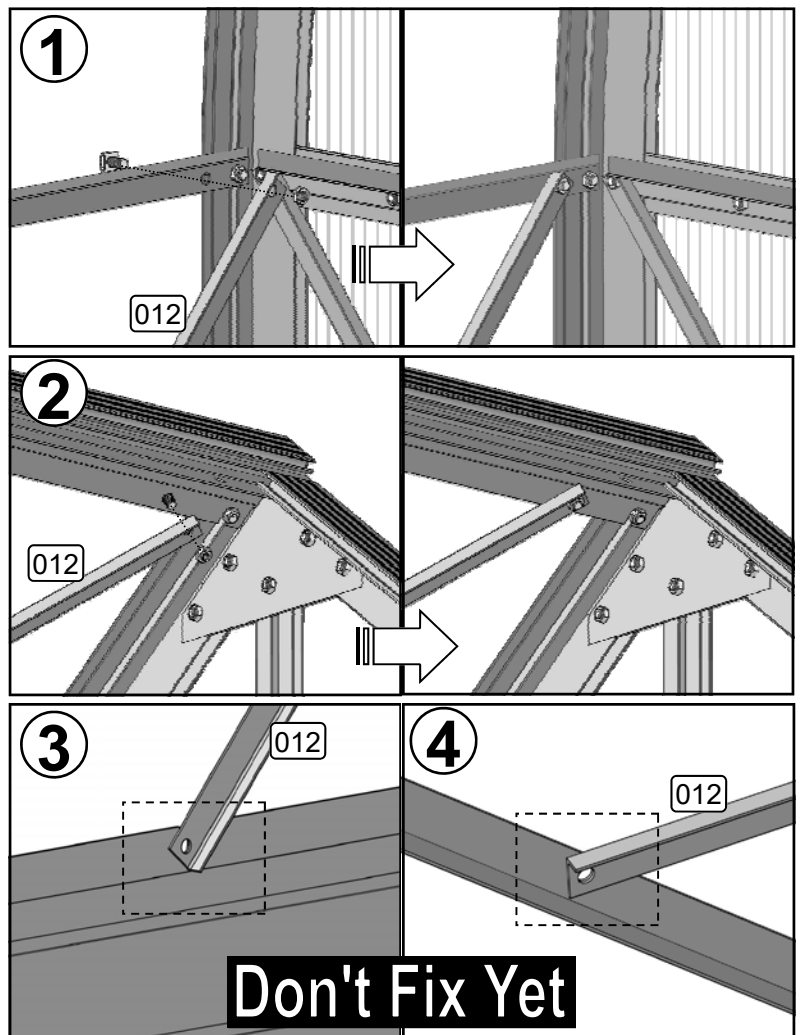
For Virtue 7' Extension (V9-EXT) Roof / Side wall parts and QTY , please see page

Before assembling polycarbonate panel and glazing bar. Please connect hanging basket bar and horizontal rail on front and rear corner bars, also connect roof and sidewall bracing bars (#012). Then the greenhouse will be in straight shape structure. Then we can start to assemble PC panels and glazing bars smoothly.



### Virtue 9x7 main house (VB907)

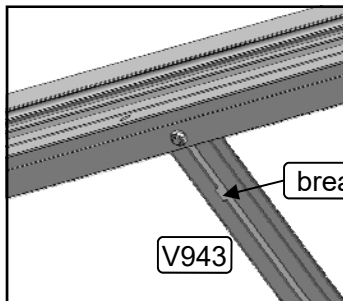
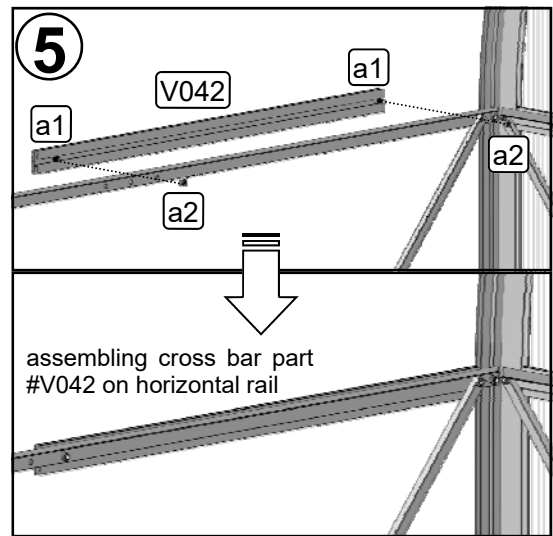
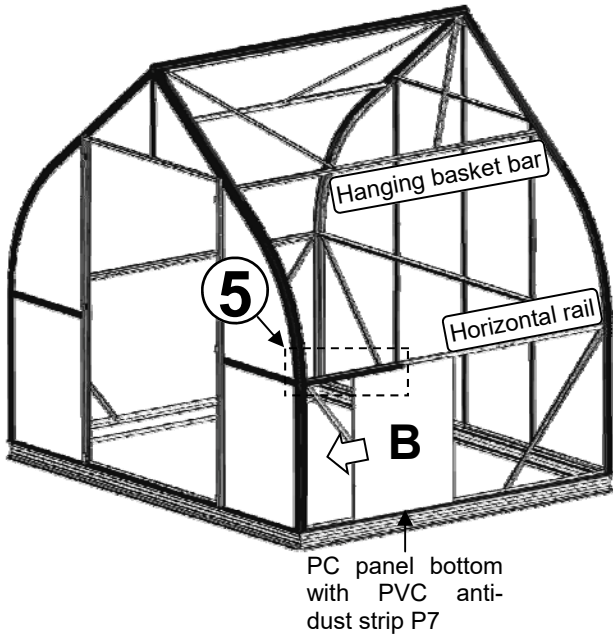
	Part No.	Size	Virtue VB907
└─┘	031	2163 7' 1 <sup>3</sup> / <sub>16</sub> "	2
	036	2163 7' 1 <sup>3</sup> / <sub>16</sub> "	2
└─┘	012	1100 3'7 <sup>5</sup> / <sub>16</sub> "	8
≡≡	V042	683 2'2 <sup>7</sup> / <sub>8</sub> "	6
≡≡	V943	2954 9'8 <sup>5</sup> / <sub>16</sub> "	4
┌─┐	955	400 1'3 <sup>3</sup> / <sub>4</sub> "	2
	a1	M6x10	48
	a2	M6	52
	a8	M6x15	4
	p7	682 2'2 <sup>7</sup> / <sub>8</sub> "	6



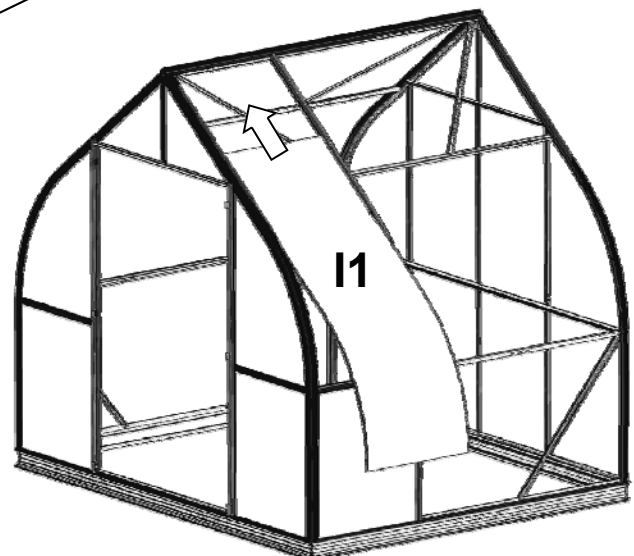
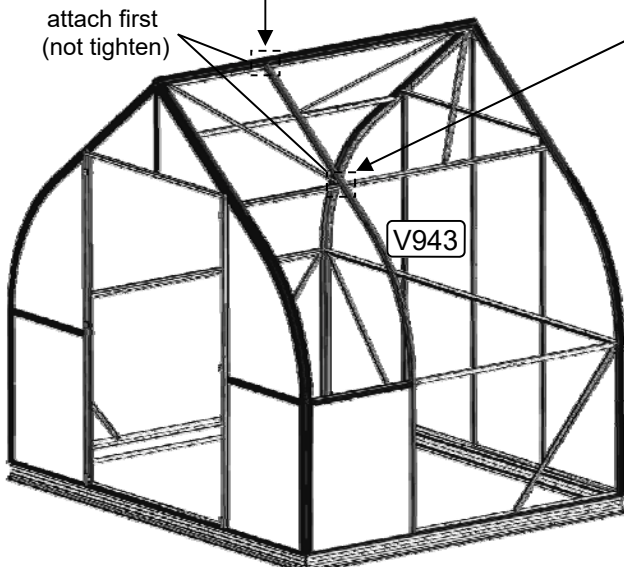
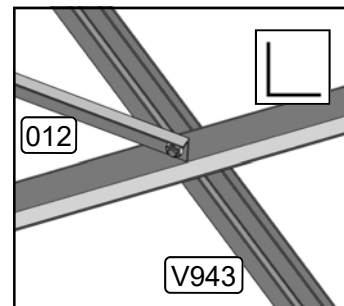
**Now we are starting to assemble Polycarbonate panels and glazing bar.**

1. Sliding PC panel #B between cross bar part #V042 and side sill beam with PVC anti-dust strip P7 on bottom.
2. Connect curved glazing bar #V943 with ridge and hanging basket bar, and tighten it.
3. Inserting polycarbonate panel #I1 into the alu. Frame channel and curve it along the curved alu. Channel.
4. You could squeeze PC panel up and down, and adjust the depth of inserting of cross bar part #V042 on horizontal rail.

**Very Important:** 3 pcs of #a1 bolts will need to be slid into each glazing bar for ridge cantilever & hanging basket bar & horizontal rail, 1 pc of #a8 bolt will need to be slid into each glazing bar for connecting side sill in advance, and has to be finger tightened for later use. Please note: At this stage you will also need to insert an extra bolt into each glazing bar either side of where the vent opening will be positioned. Decide now where your roof vents are positioned so that you can work out the correct number of bolts in each glazing bar. **And slide the roof vent to assigned position from the Ridge immediately; otherwise roof vent will slide difficultly in case of extension ridge not connecting with front ridge smoothly.**



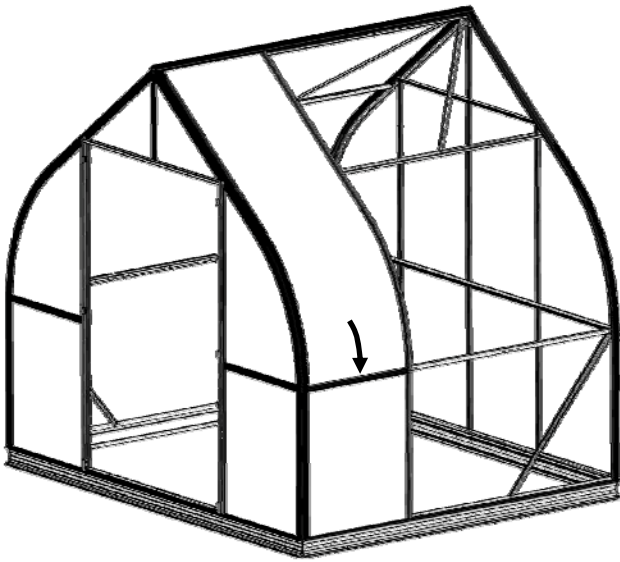
If you forgot sliding extra bolts into glazing bar or corner bar channels in advance, please add it through this breach.



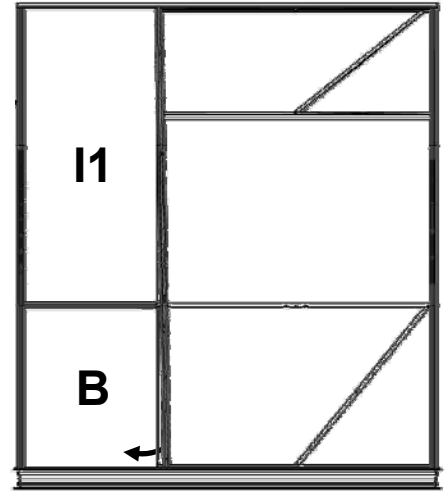
You should attach glazing bar #V943 with ridge and hanging basket bar first (not tighten). So you can still move it a little bit and insert the panel.

Separate curved glazing bar #V943 a little from bottom, and make an angle and then insert PC panel into alu. Frame channel.

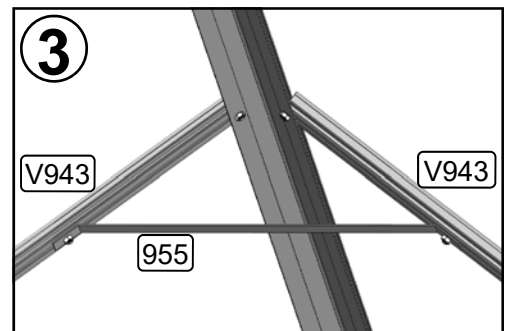
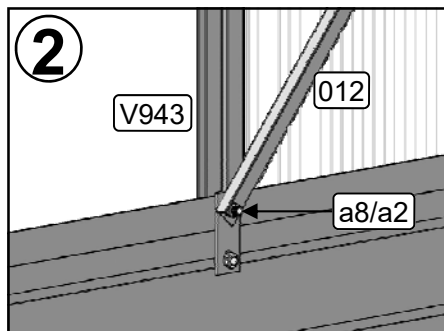
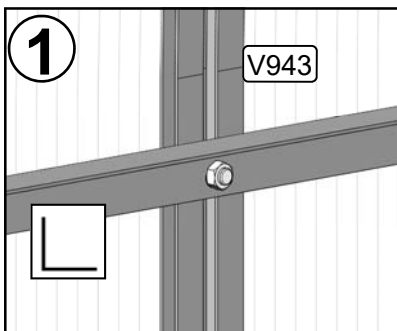
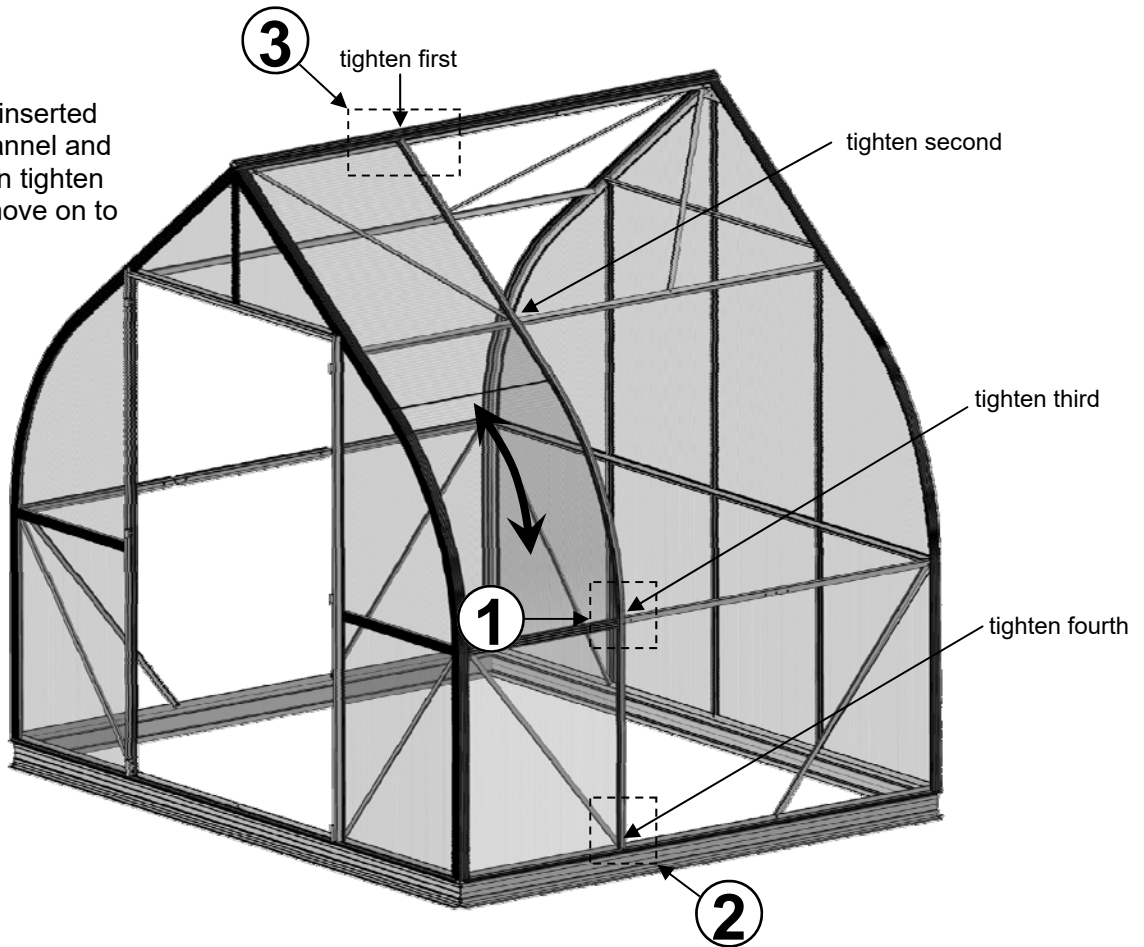




Adjust depth of PC panel in cross bar channel



After the panel is inserted into the frame channel and adjusted well, then tighten glazing bar and move on to the next panel.

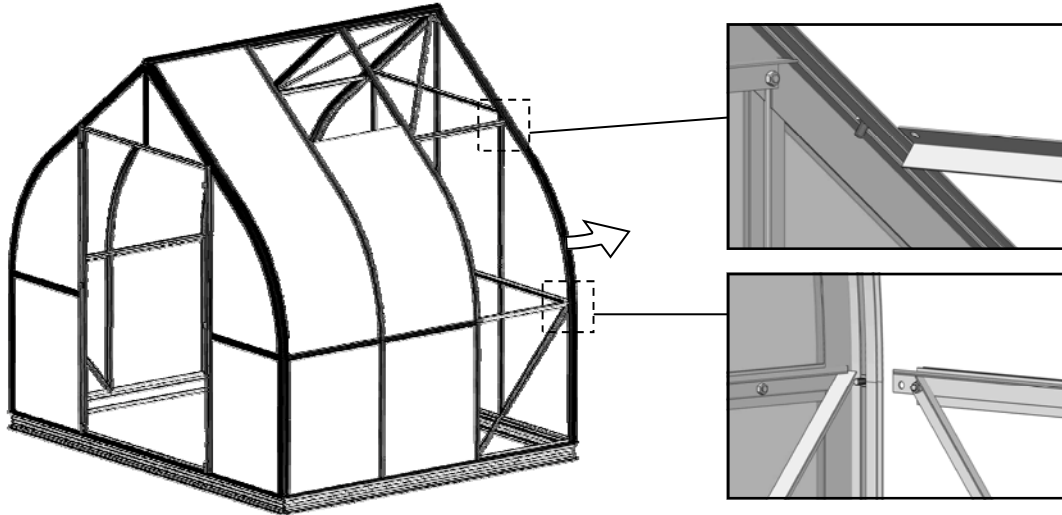


**Square No.1** From bottom to top, you could squeeze polycarbonate panel both edges into alu. Profile's channel gradually. Please use bolt and nut to tighten the glazing bar#V943 with hanging basket bar or horizontal rail in time once it's in position.

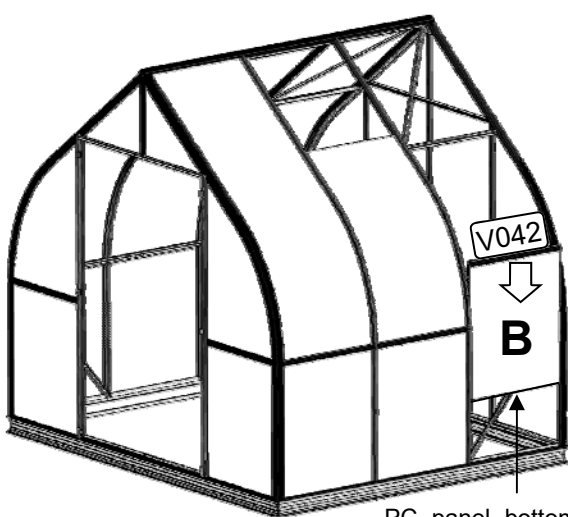
**Square No.2** On the bottom, Use Bolt #a8 (M6x15) to attach glazing bar #V943 with bracing bar #012 and side sill beam together, and fix them on base by base connector.

**For the last polycarbonate panel assembly**

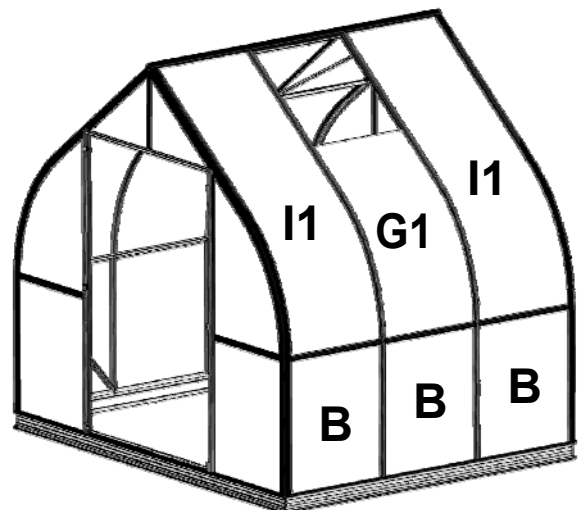
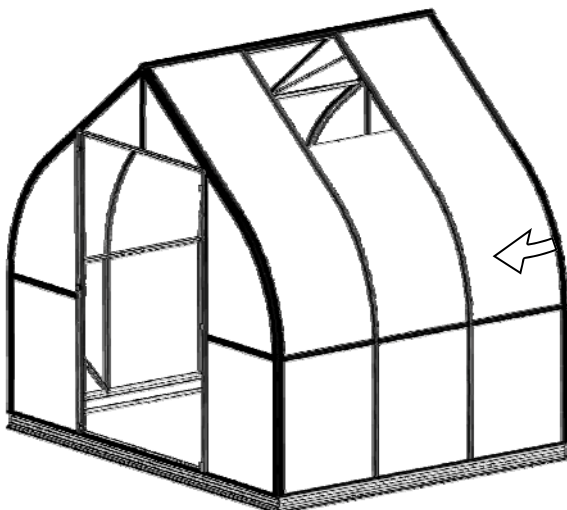
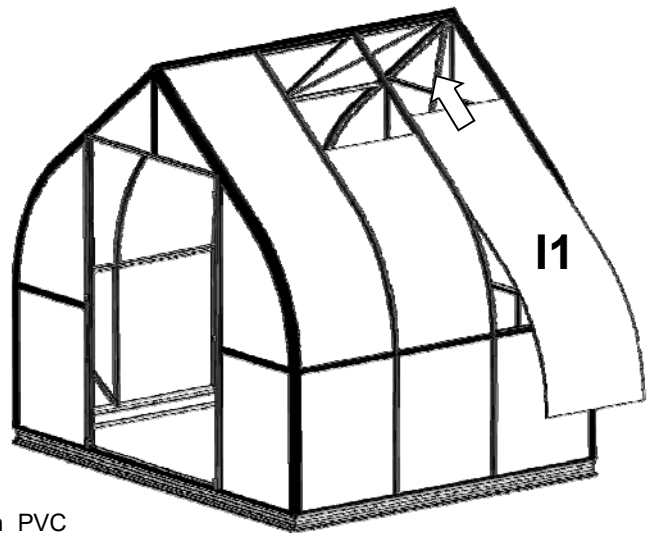
1. At first, You should dismantle the curved corner bar, by loosening the bolts attaching horizontal rail and hanging basket bar (Don't loosen ridge top bolt and nut). And separate curved corner bar a little in middle, and make an angle with glazing bar.
2. Put on cross bar #V042 on top of PC panel #B, and PVC anti-dust strip P7 on bottom of PC panel #B firstly. Then assemble them on horizontal rail together.
3. After, insert polycarbonate panel #I1 between curved corner bar and curved glazing bar.
4. Finally, push them together, and tighten all the bolts and nuts which were loosened before.
5. Repeat this on the opposite side.



Loosen the bolts and separate in middle at an angle



PC panel bottom with PVC anti-dust strip P7



# Step 8

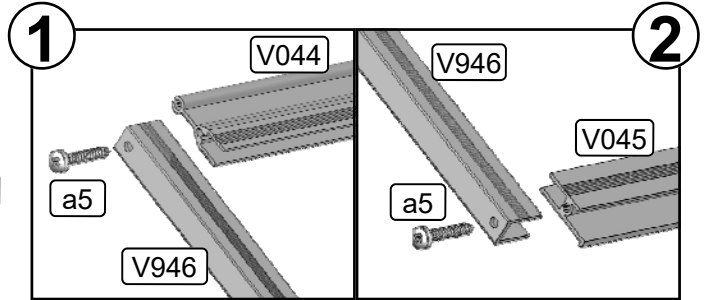
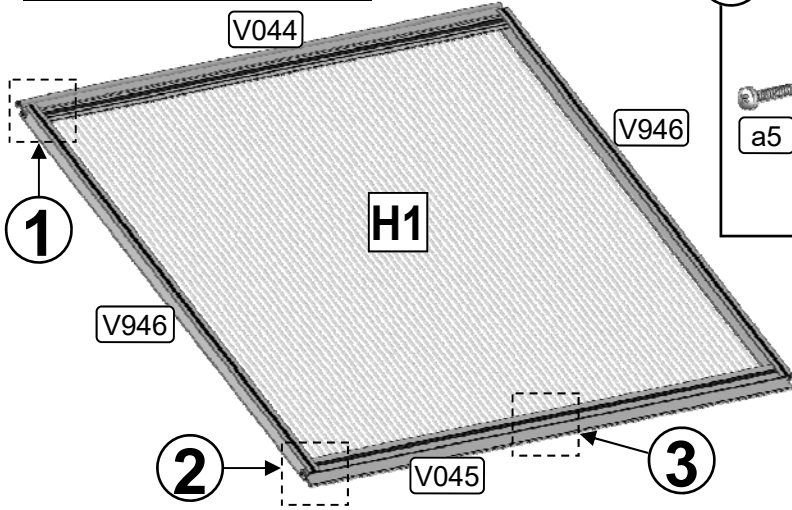
# Vent

By the time you are finished with glazing bars and PC panels assembly. You should already have windows assembled.

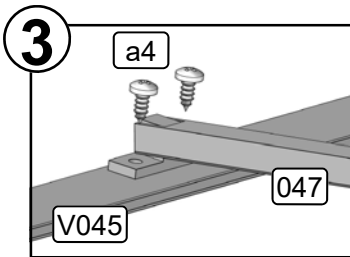
# Package No.4

Part No.	V042	V044	V045	V946	047	048	m3	a1	a2	a4	a5	p3
Size	683 2'2 <sup>7</sup> / <sub>8</sub> "	698 2'3 <sup>1</sup> / <sub>2</sub> "	698 2'3 <sup>1</sup> / <sub>2</sub> "	750 2'5 <sup>1</sup> / <sub>2</sub> "	300 11 <sup>13</sup> / <sub>16</sub> "	200 7 <sup>7</sup> / <sub>8</sub> "	-	M6x10	M6	Φ4.2x9.5	Φ3.5x19	-
Qty	1	1	1	2	1	1	2	6	6	4	4	2

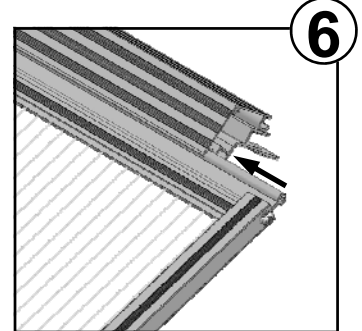
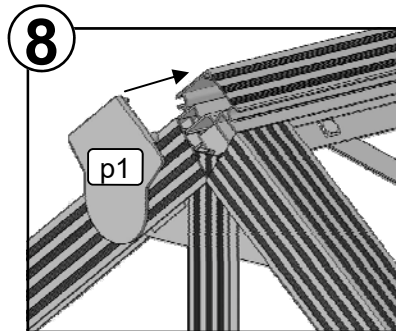
	Virtue V907
Vent No.	2



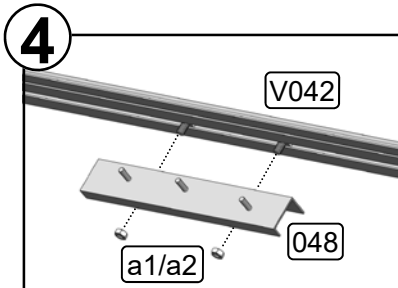
**Square No.1 & No.2** When assembling the vent using screw #a5, it is essential to use a lubricant on the screws. A power screwdriver may have too much force, and can easily strip the heads. It is recommended to turn the screws in by hand.



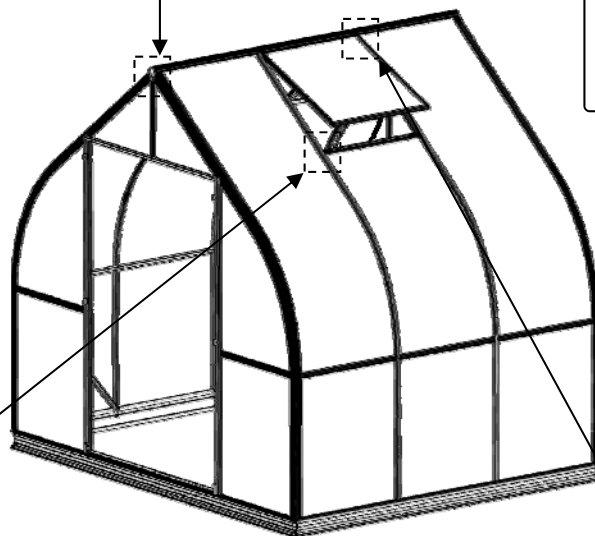
**Square No.3** The push rods should be mounted so the handles could extend up.



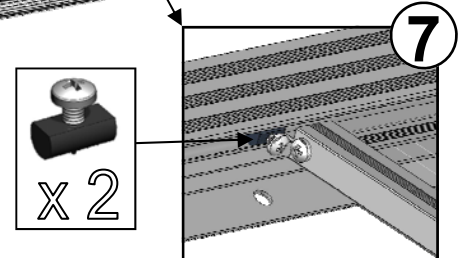
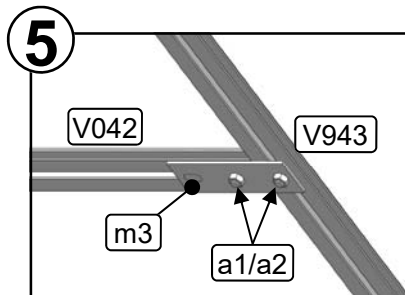
**Square No.6** The completed vent slide into the ridgepole which act as a self-hinge.



**Square No.4** When mounting part #048 onto part #V042, the left post should be directly in line with the center of the vent.



**Square No.7** Part #p3 is plastic barrel shaped piece that is used on either side of the vent to keep it from moving side to side. The screw #a4 will expand the plastic and hold it firm.



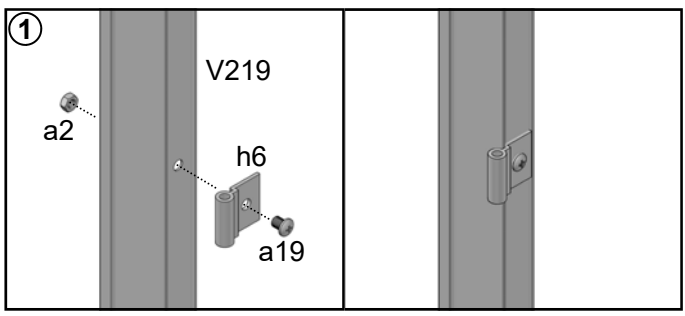
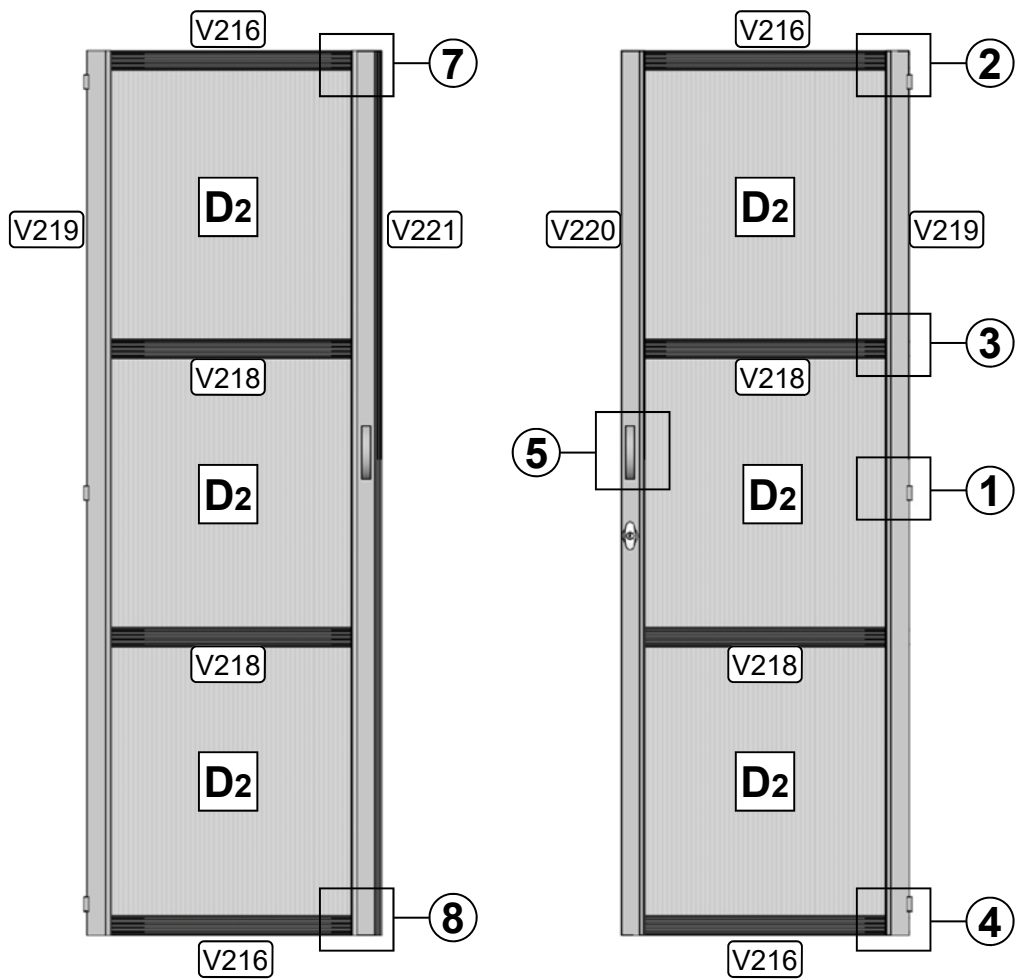
# Step 9

# Door

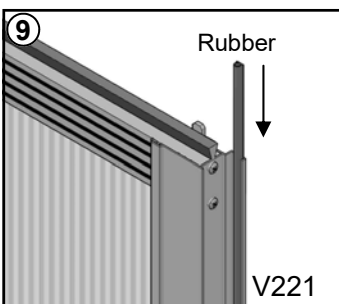
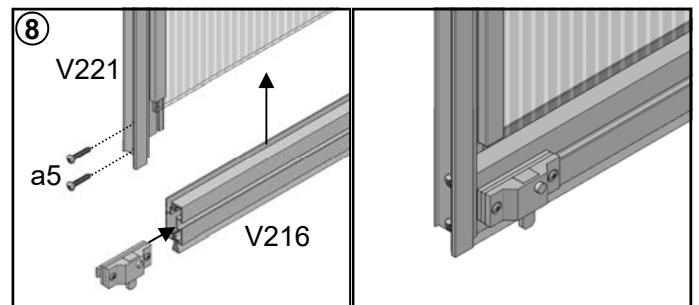
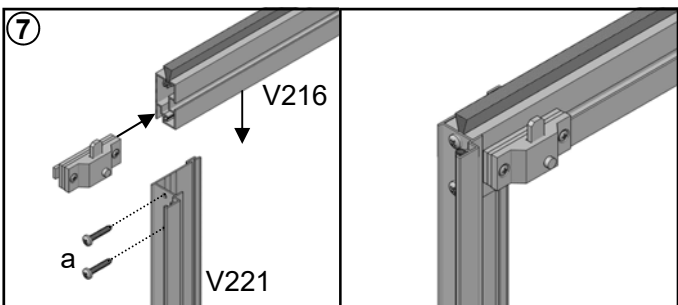
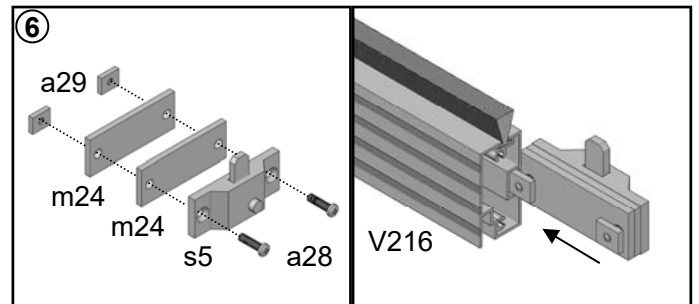
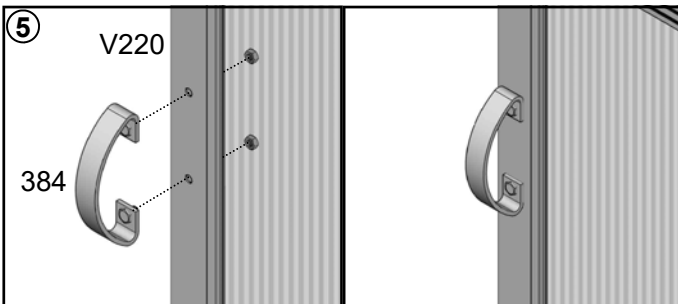
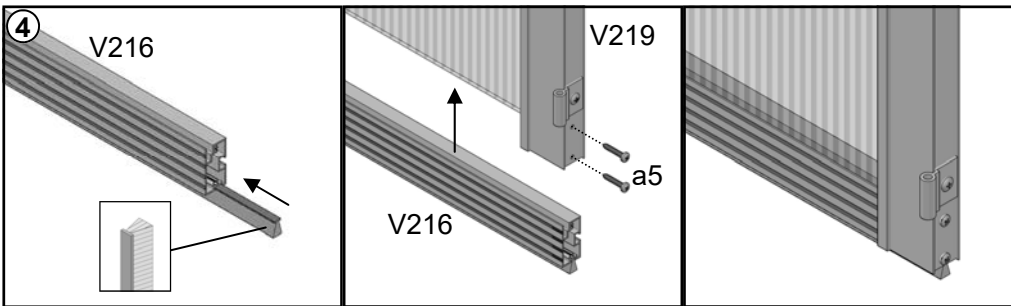
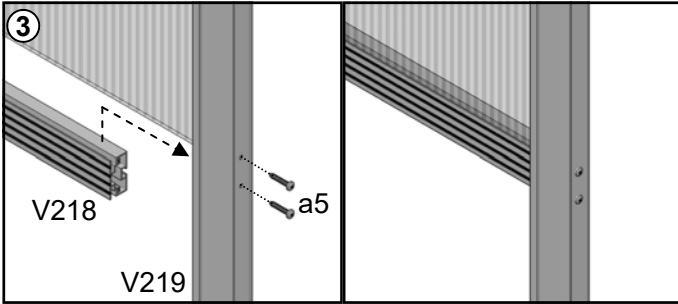
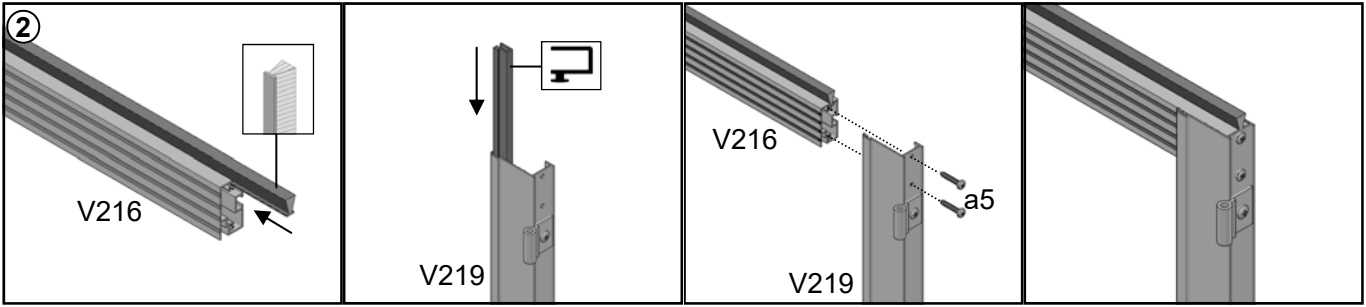
Package No.5

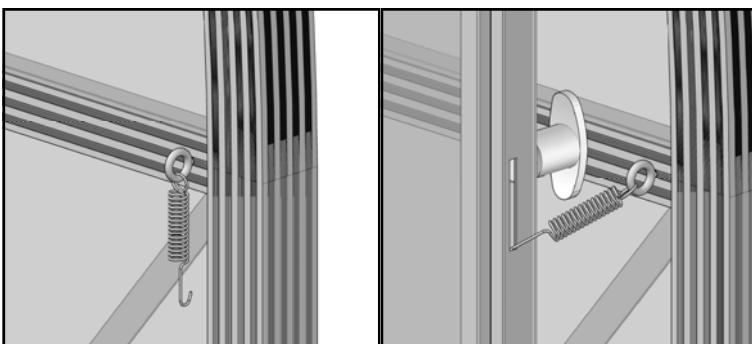
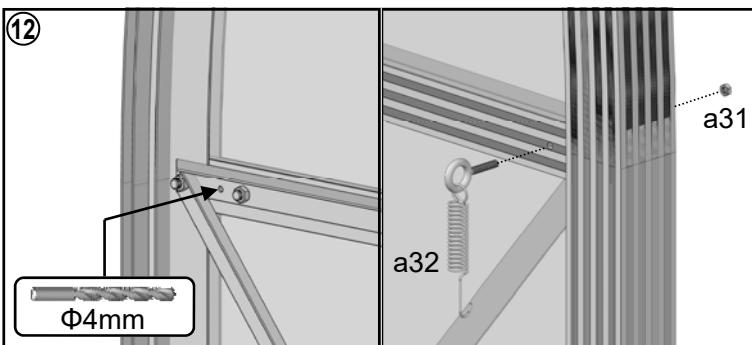
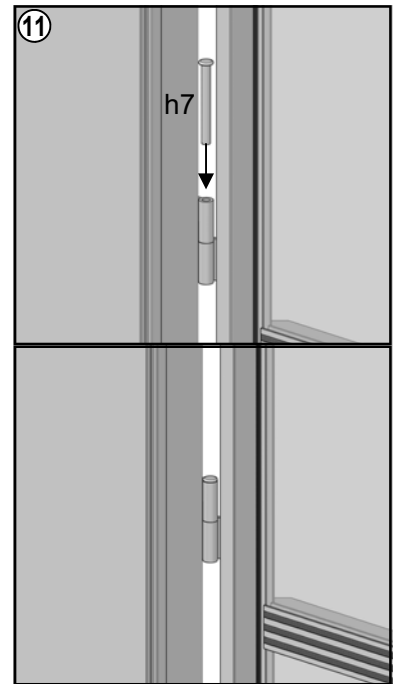
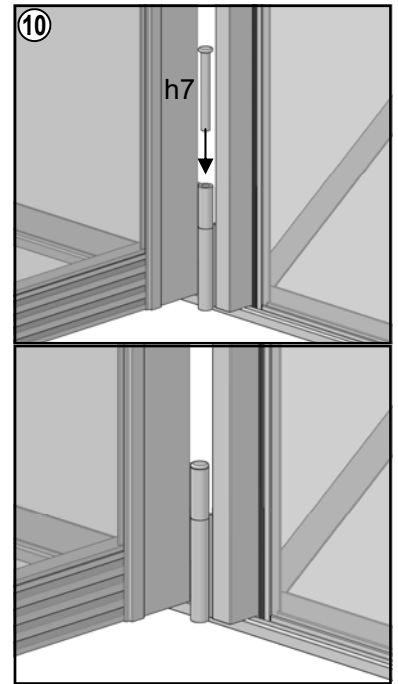
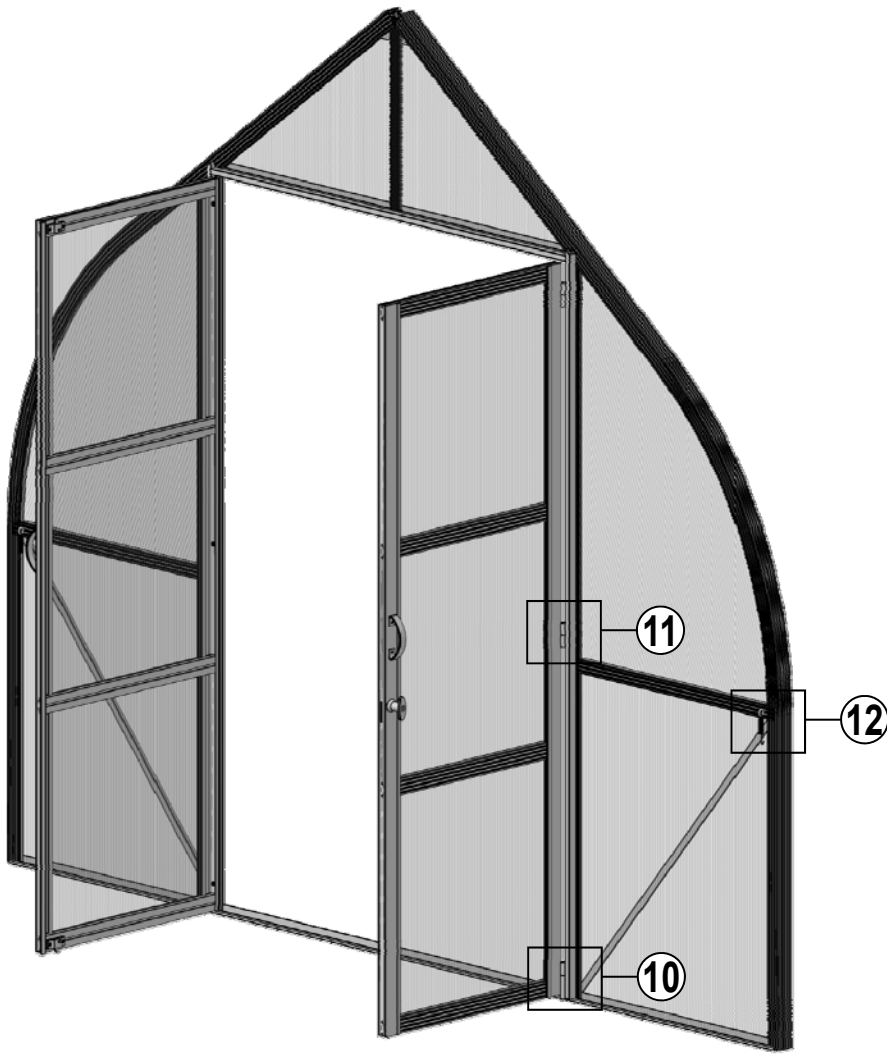
#	V219	V220	V221	V216	V218		384	h6	h7	s5	m24	a1	a2
Size	1855 6'1 1/32"	1855 6'1 1/32"	1855 6'1 1/32"	603 1'11 47/64"	603 1'11 47/64"	563 1'10 11/64"	-	-	-	-	-	M6x10	M6
QTY	2	1	1	4	4	12	2	6	6	2	4	4	10

#	a5	a19	a28	a29	a32	a31	FLUFF	Rubber
Size	Φ3.5x19	M6x8	M4x16	M4	M4x20	M4	2.4M	1.9M
QTY	32	6	4	4	2	2	1	1









# Virtue 7' Extension (V9-EXT) Parts list

Please note that this list includes parts list and count for one 7' extension set. See page 9 to learn how many 7' extension sets your ordered greenhouse includes.

## Roof/Side wall

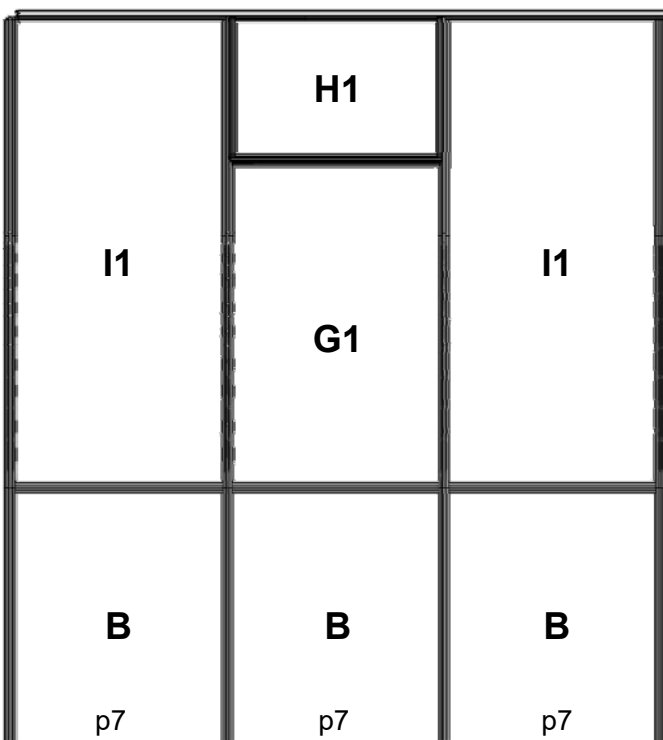
Part No.	012	V063	V064	065	066	067	V943	V042	961	962	955
Size	1100 (3'7 <sup>5</sup> / <sub>16</sub> "	2148 (3'15 <sup>15</sup> / <sub>16</sub> "	2148 (7'9 <sup>9</sup> / <sub>16</sub> "	2139 (7'9 <sup>9</sup> / <sub>16</sub> "	2139 (7'9 <sup>9</sup> / <sub>16</sub> "	2139 (7'9 <sup>9</sup> / <sub>16</sub> "	2954 (9'8 <sup>5</sup> / <sub>16</sub> "	683 (2'2 <sup>7</sup> / <sub>8</sub> "	2921 (9'7")	850 (2'9 <sup>7</sup> / <sub>16</sub> "	400 (1'3 <sup>3</sup> / <sub>4</sub> "
Qty	8	1	2	1	1	2	6	6	2	1	2

Part No.	069	m1	m7	a1	a2	a8	a16
Size	-	-	-	M6x10	M6	M6x15	Φ6
Qty	1	1	2	44	66	22	2

## 2 Vents

Part No.	V042	V044	V045	V946	047	048	m3	a1	a2	a4	a5	p3
Size	683 (2'2 <sup>7</sup> / <sub>8</sub> "	698 (2'3 <sup>1</sup> / <sub>2</sub> "	698 (2'3 <sup>1</sup> / <sub>2</sub> "	750 (2'5 <sup>1</sup> / <sub>2</sub> "	300 (11 <sup>13</sup> / <sub>16</sub> "	200 (7 <sup>7</sup> / <sub>8</sub> "	-	M6x10	M6	Φ3.9x8	Φ3.5x19	-
Qty	1	1	1	2	1	1	2	6	6	4	4	2

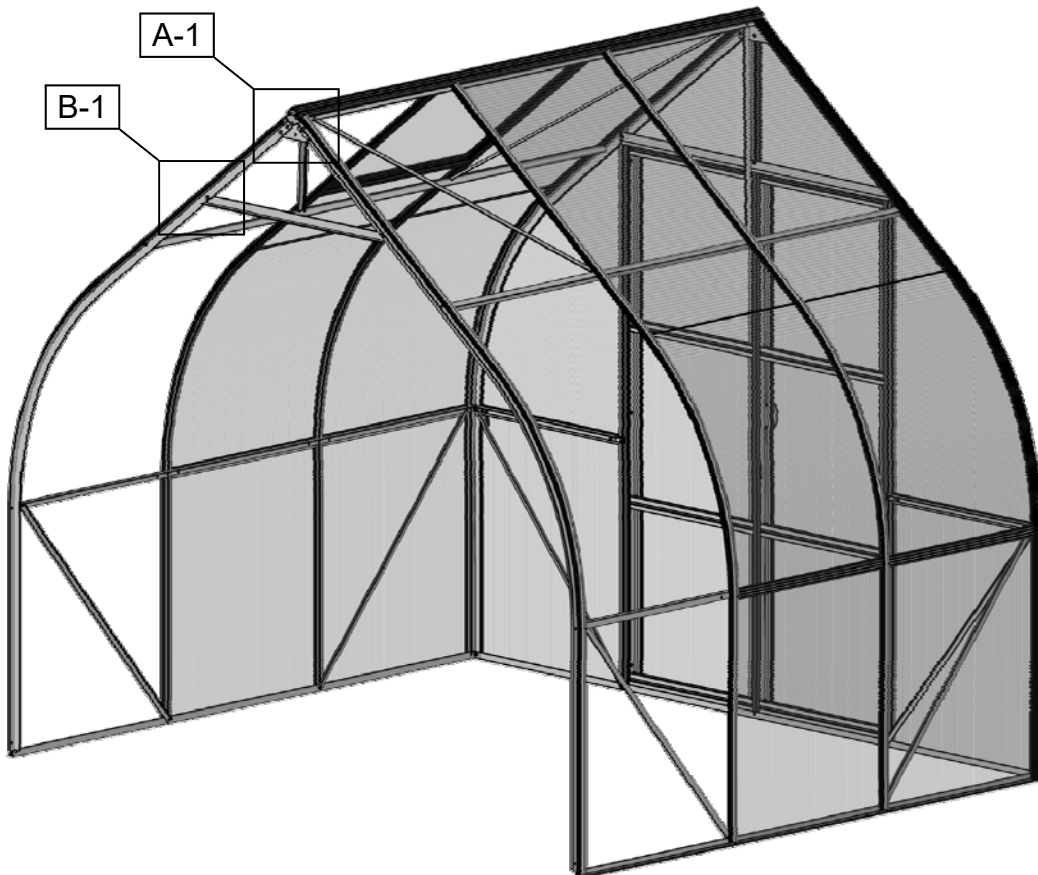
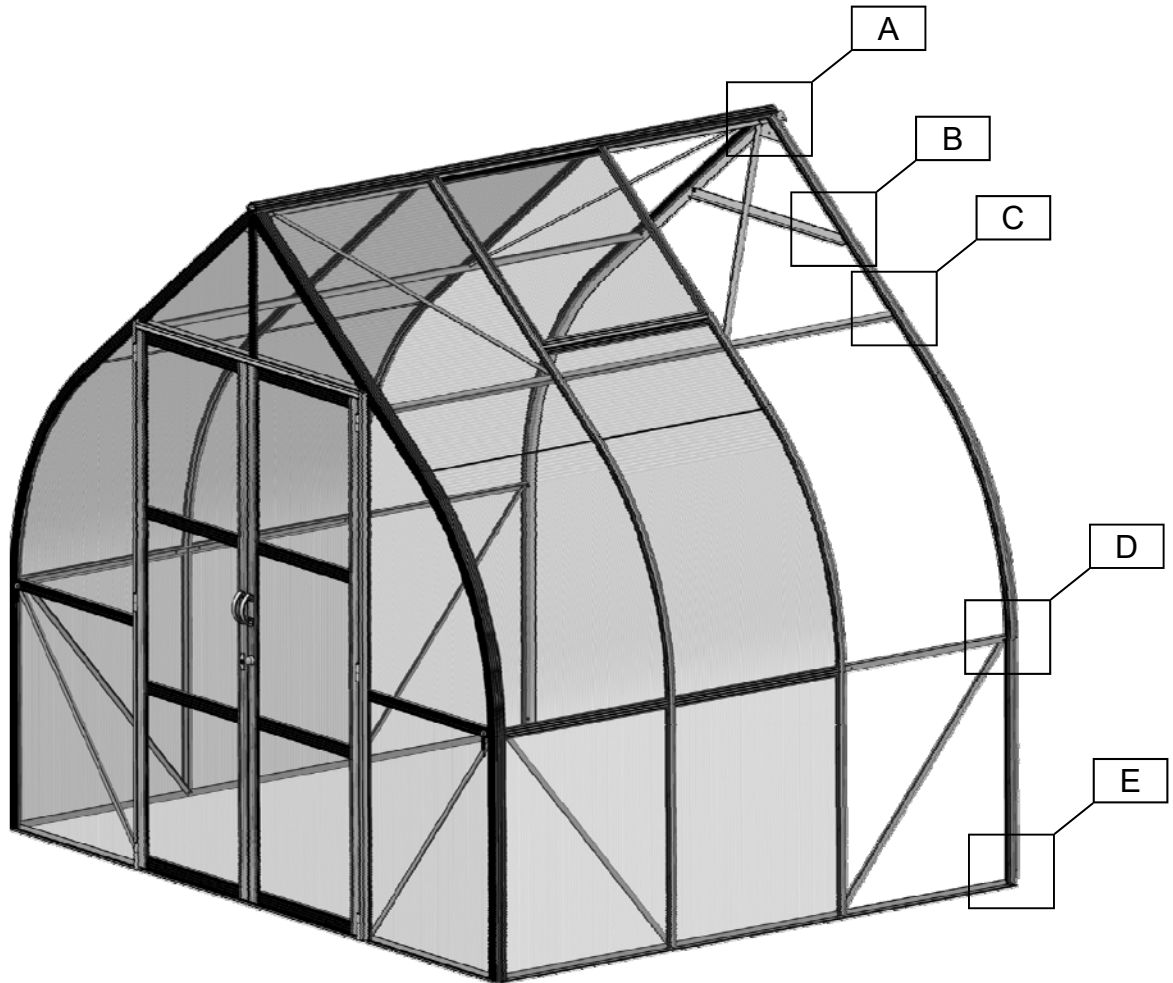
## Polycarbonate sheet



#	Size	EXT-3
B	700x842(2'3 <sup>9</sup> / <sub>16</sub> " x 2'9 <sup>1</sup> / <sub>8</sub> "	6
G1	700x1330(2'3 <sup>9</sup> / <sub>16</sub> " x 4'4 <sup>3</sup> / <sub>8</sub> "	2
H1	696x731(2'3 <sup>3</sup> / <sub>8</sub> " x 2'4 <sup>3</sup> / <sub>4</sub> "	2
I1	700x2110(2'3 <sup>9</sup> / <sub>16</sub> " x 6'11 <sup>1</sup> / <sub>16</sub> "	4
p7	682(2'2 <sup>7</sup> / <sub>8</sub> "	6

# Step 10

Assembly of the A-frame that connects main and extension set(s)



# Assemble the A-frame

To make up the A-frame, you will need two curved glazing bars (V943) and two curved T shape bars (961).

As per DIAGRAM A & C & D & E, firstly insert six 15mm bolts (a8) into the channel on the back of curved glazing bar (V943). Place these bolts with the holes on curved T shape bar (961) and tighten the nuts slightly.

**Please Note: The end of part #V943 should extend 15 mm against the end of part #961 on bottom.**

Repeat on the other side.

## DIAGRAM A & A-1

Loose top bolt (a8) on V943 & 961. Place the ridge extension plate (069) and end hole of ridge onto the bolt and lightly tighten the nut. Repeat on the other side.

Now place connecting plate (m1) into position, use 10mm bolts (a1) to tighten the nuts slightly.

## DIAGRAM B & B-1

The A-frame brace (962) can now be fixed to the curved T shape bar (961) using 10mm bolts (a1).

## DIAGRAM C

Loose the third bolt (a8) on V943 & 961 as per Diagram, then connect up- per side rail of main house in the position and tighten the nuts slightly

Repeat on the other side.

## DIAGRAM D

Loose the forth bolt (a8) on V943 & 961 as per Diagram, then connect mid- dle side rail of main house in the position and tighten the nuts slightly

Repeat on the other side.

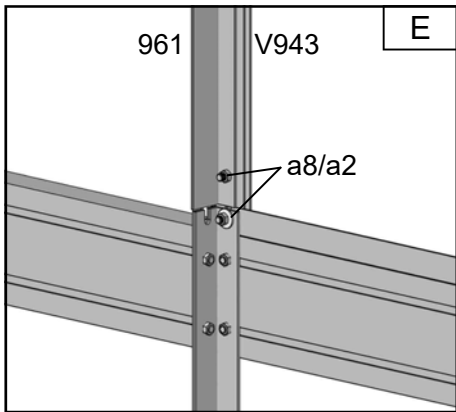
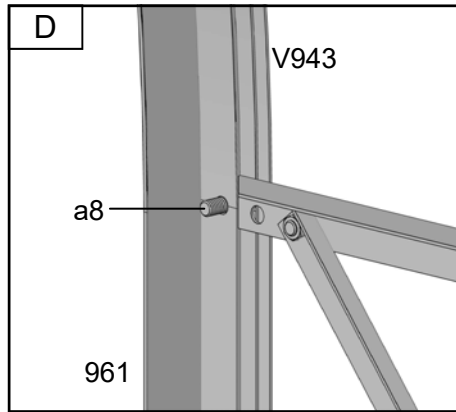
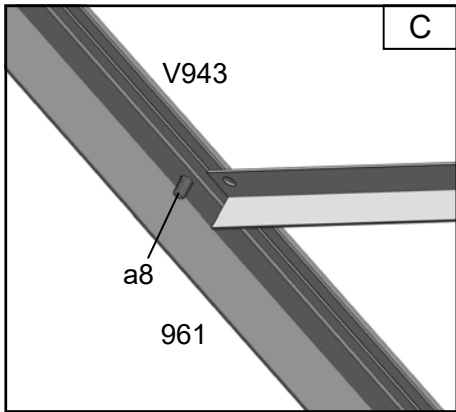
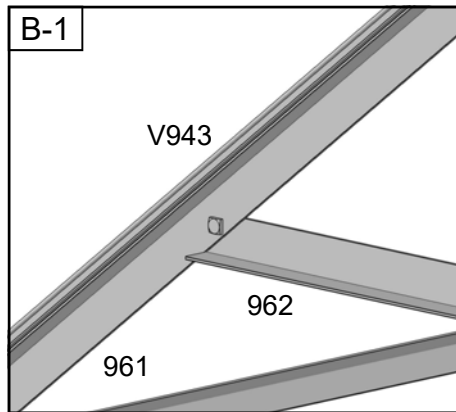
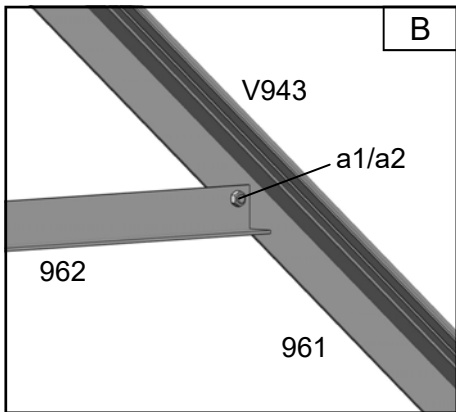
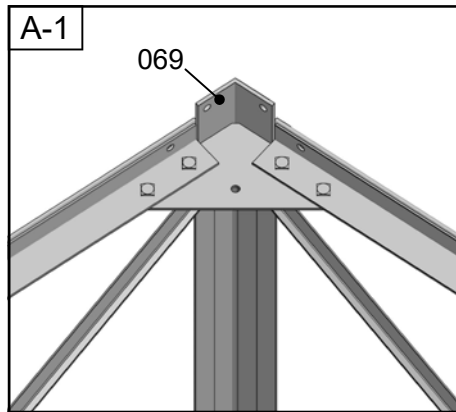
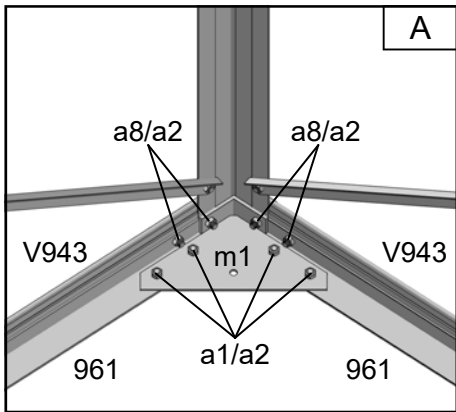
## DIAGRAM E

Loose the sixth bolt (a8) on V943 as per Diagram, then connect bottom sill of main house and anchor leg in the position and tighten the nuts slightly. Repeat on the other side.

Check that the ridge is level and straight, and that the sides are vertical.

After, tighten all the bolts.

# Assemble the A-frame

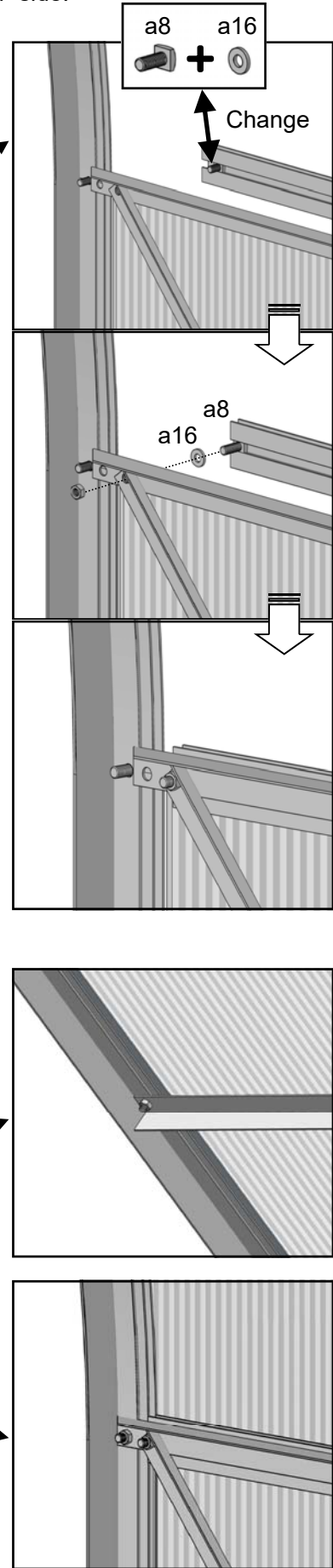
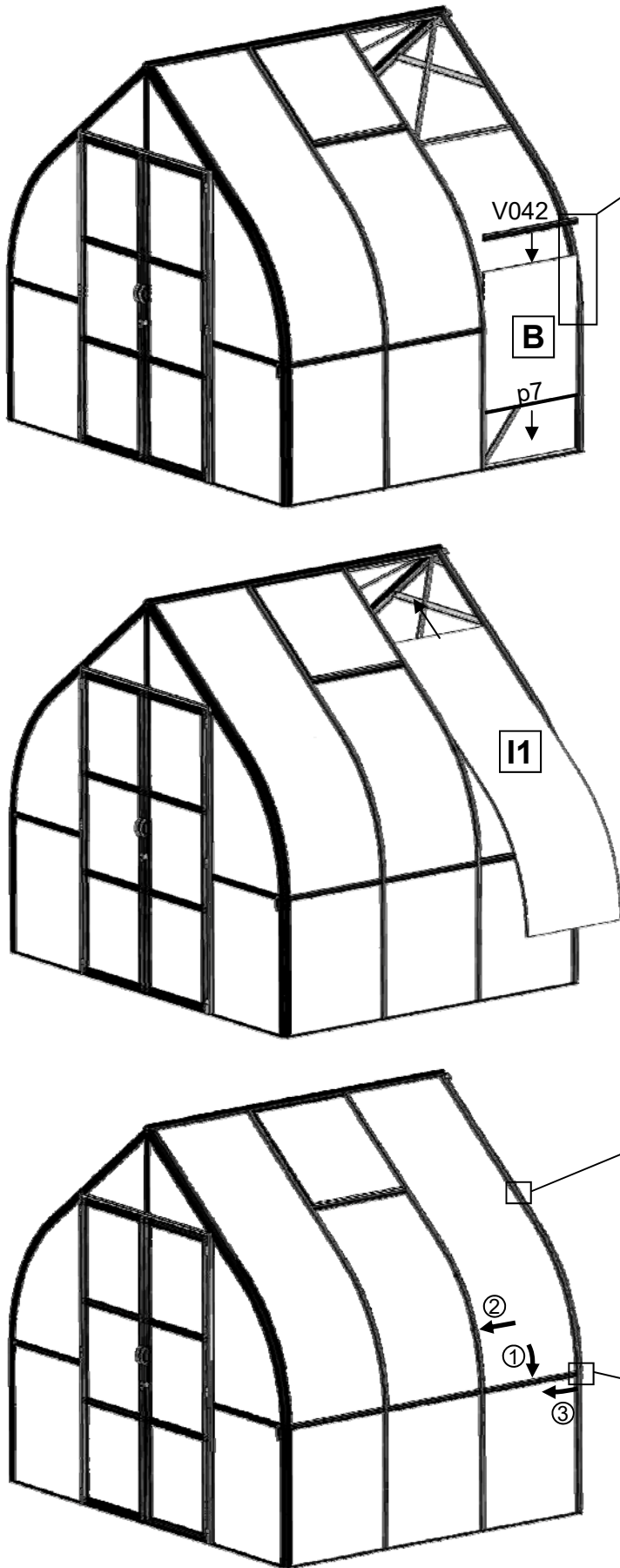


With Alu. base



# Assemble the A-frame

To fill up the gap caused by curved T shape bar (961), Please remember to add gasket (a16) on main house as per below steps.  
Repeat on the other side.





## Step 11

# Main building with EXT Assembly

After making up the A-frame, You now need to connect the main house, A-FRAME, and REAR GABLE with the ridge frame, side bracing bar, and sill.

You now have to install the Rear Gable as per standard MAIN GREENHOUSE ASSEMBLY MANUAL.

Once the Rear Gable is in place, the Extension Ridge (V063) can be attached. Fit it in exactly the same way as the main building Ridge, making sure the Ridge sits on top of the Ridge Extension Bracket. Remember, it is easier to attach and insert 10mm bolts to all the holes before you fix the Ridge in place.

### DIAGRAM F (p.35)

Attach the ridge (V063) and roof bracing bar (012) to the ridge extension bracket (069) by using 10mm bolts (a1).

Repeat on the other side.

### DIAGRAM G

Attach roof horizontal bracing bar (067) to the curved T shape bar (961) by using 10mm bolts (a1).

Repeat on the other side.

### DIAGRAM H

Attach side horizontal bracing bar (066) and bracing bar (012) to the curved T shape bar (961) by using 15mm bolts (a8).

Repeat on the other side.

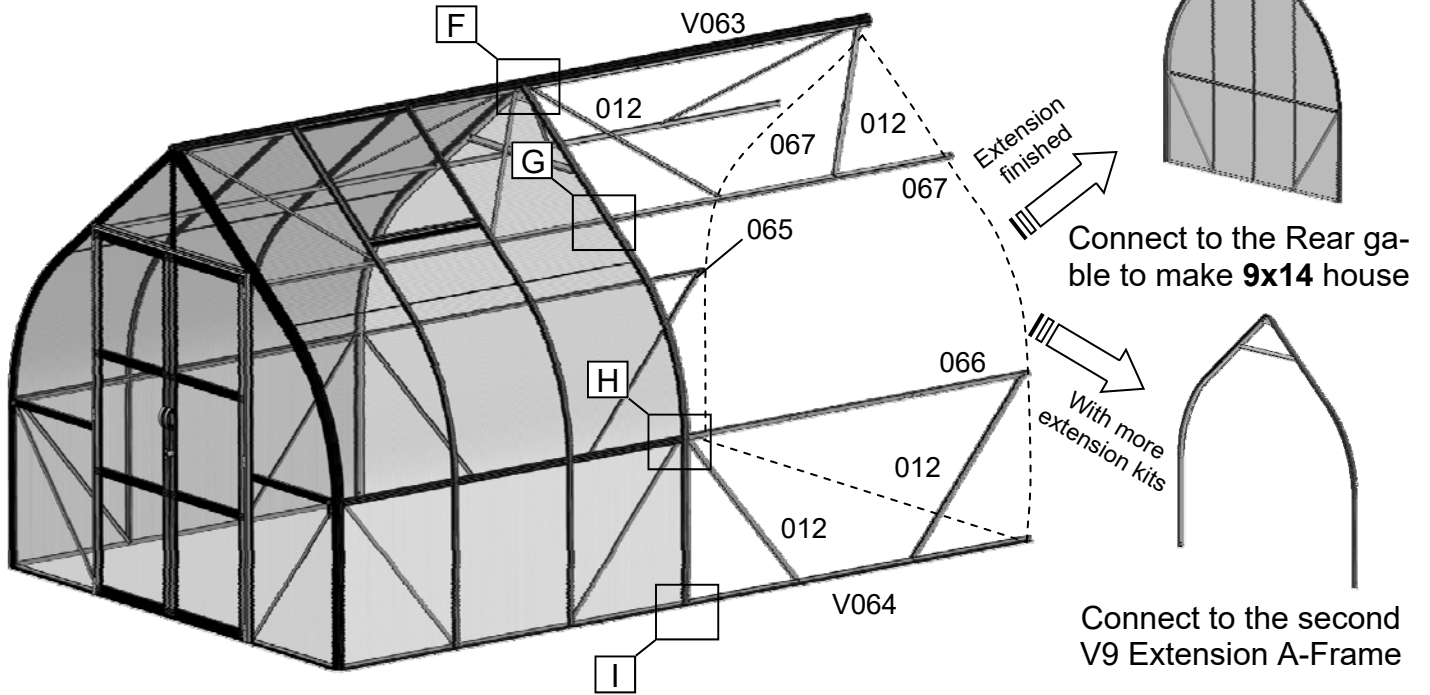
### DIAGRAM I

Simply attach bottom sill (V064) to anchor leg using 10mm bolts (a1).

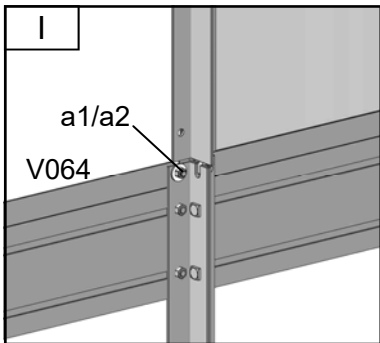
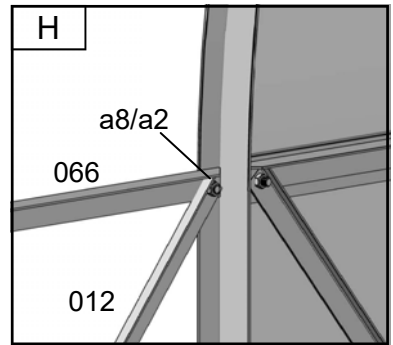
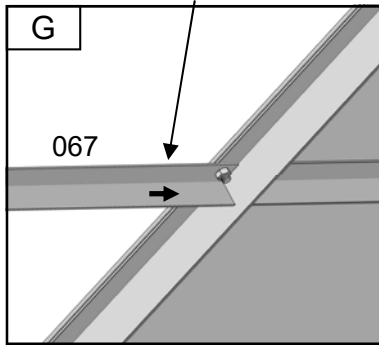
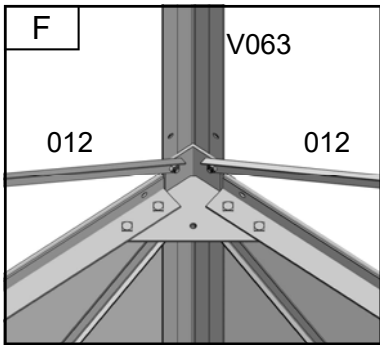
Repeat on the other side.

# Main building with EXT Assembly

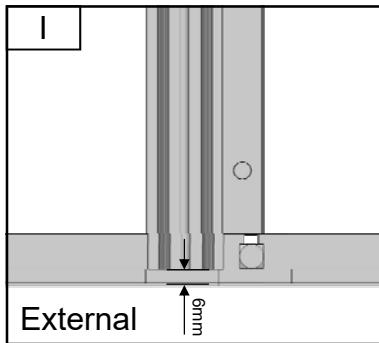
Connect main building with Rear gable or the second A-Frame.



"Arrow" end of part #067 facing main building direction

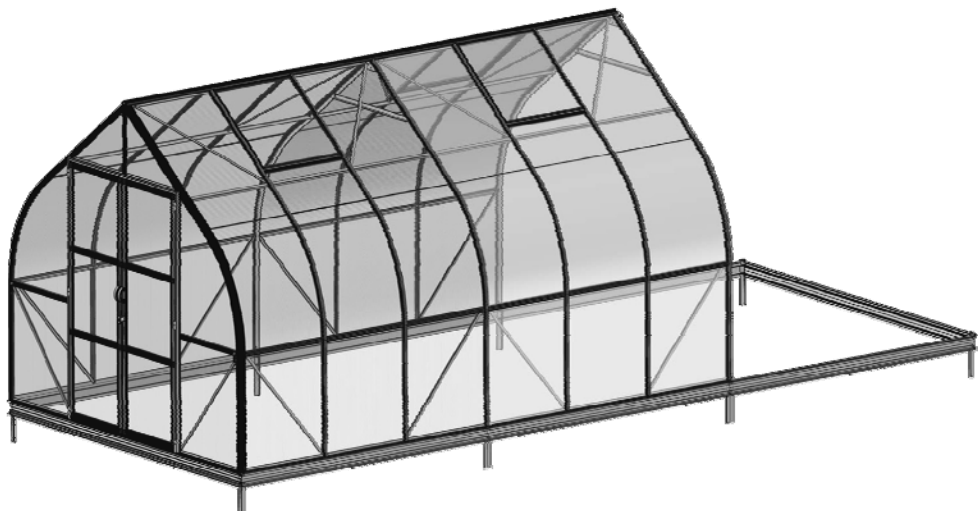
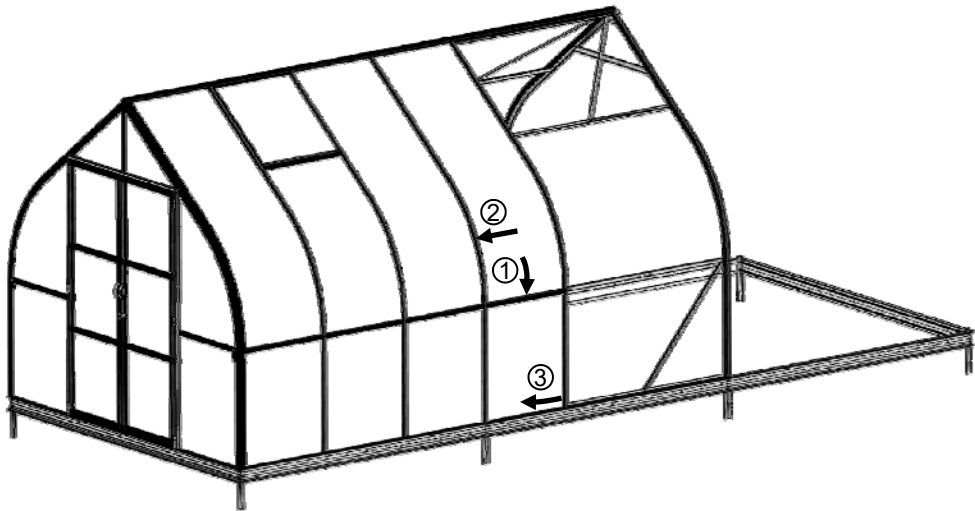
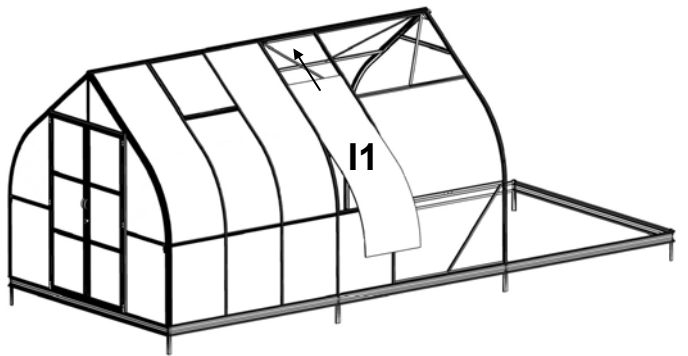
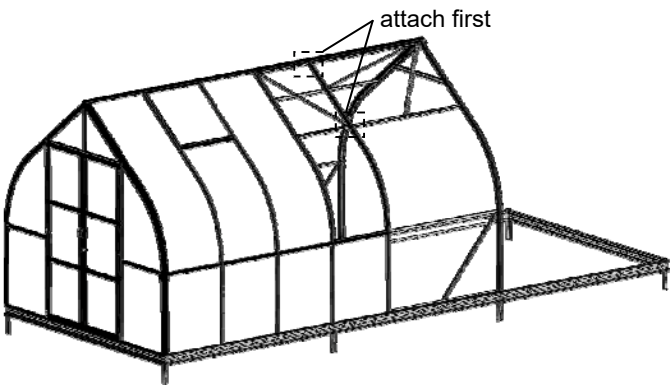
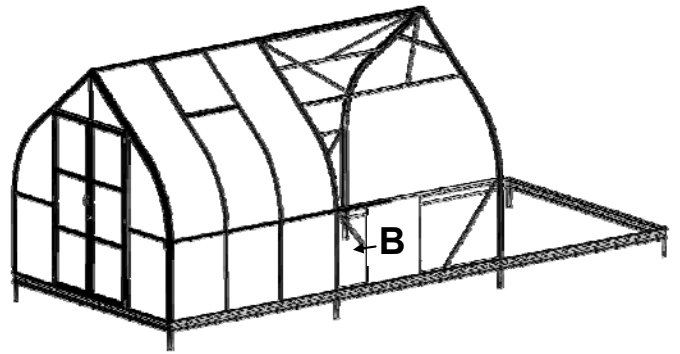


With Alu. base



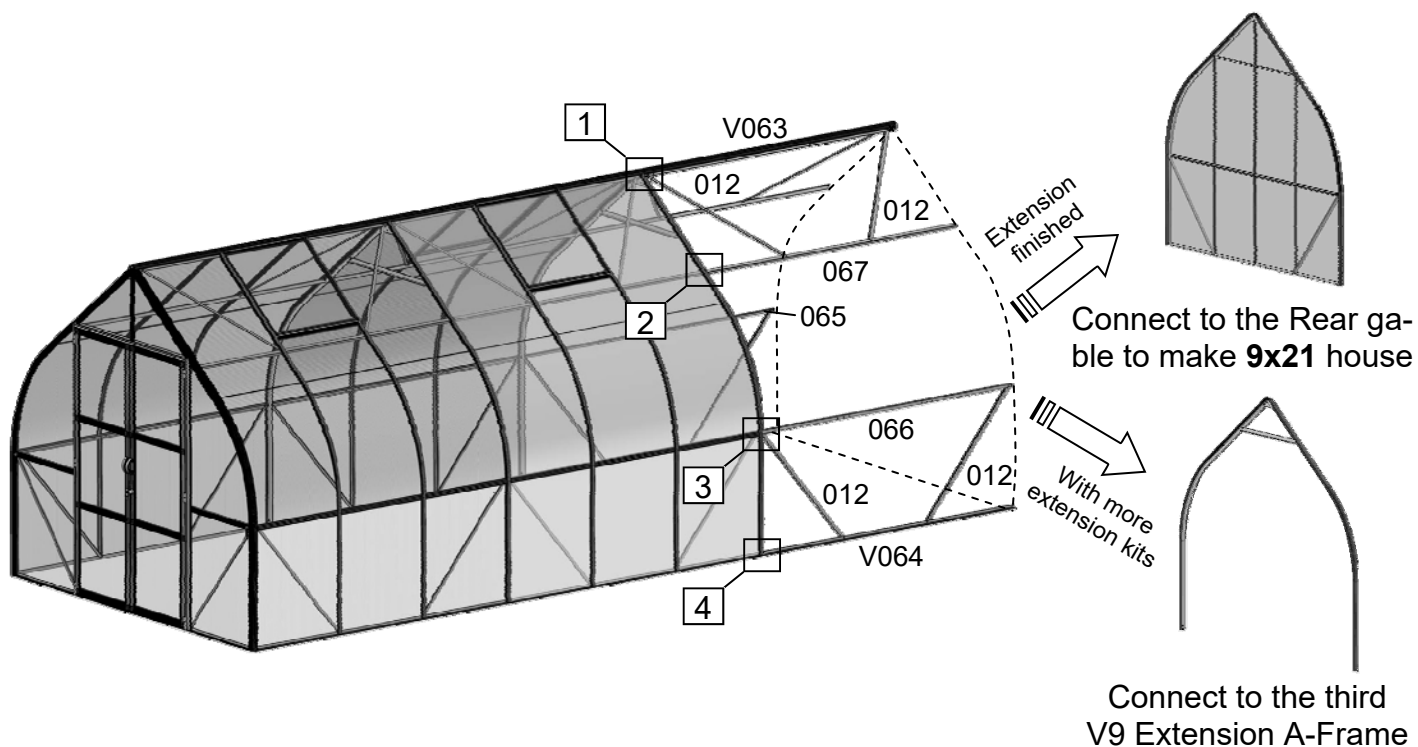
Please leave 6mm gap when you are fixing glazing bar (with "A" frame) on bottom side sill

# Main building with EXT Assembly

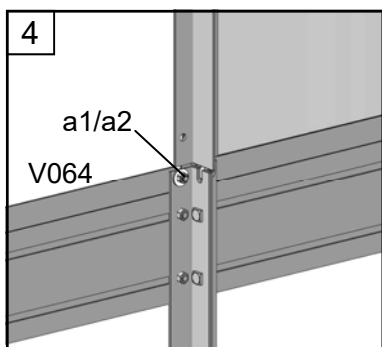
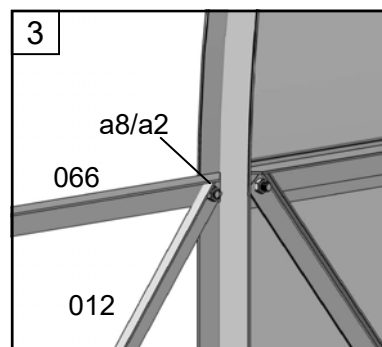
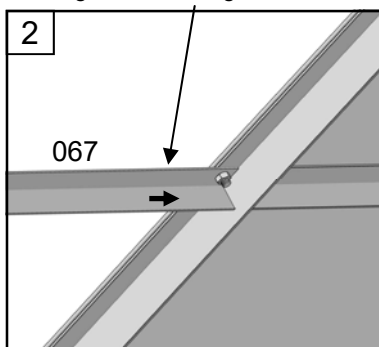
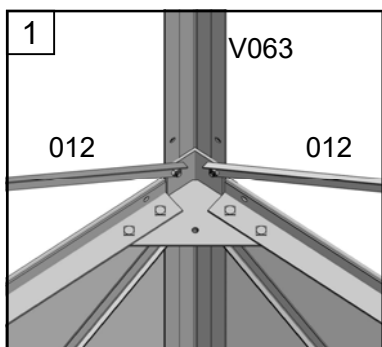


# Step 12

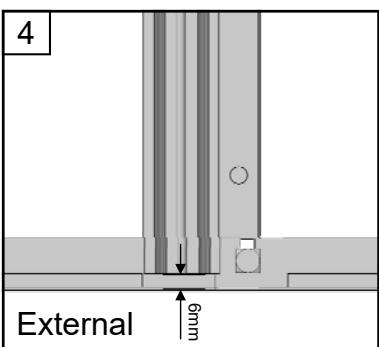
Connect the greenhouse with Rear gable or the third A-Frame.



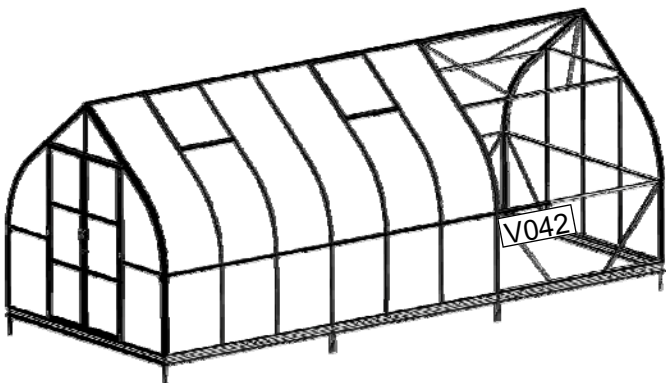
"Arrow" end of part #067 facing main building direction



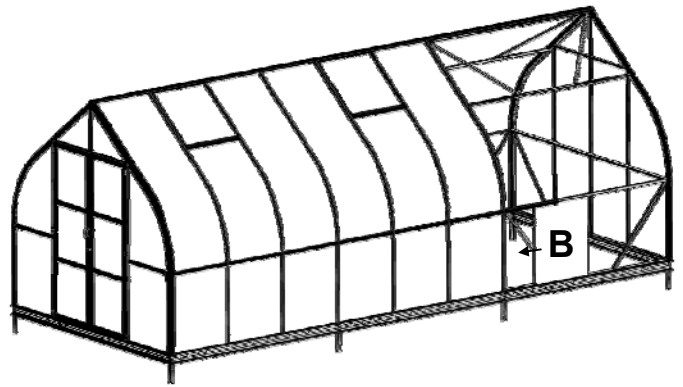
With Alu. base



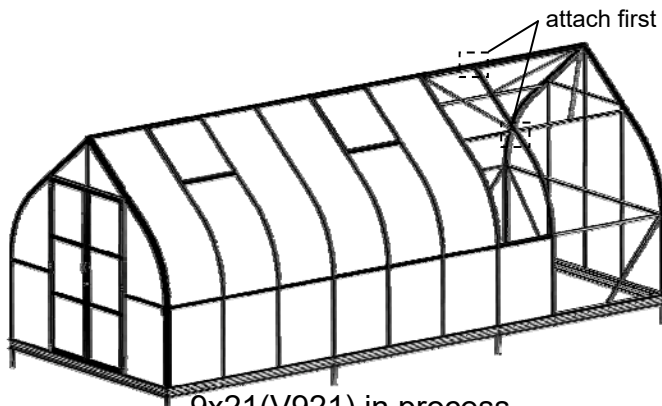
Please leave 6mm gap when you are fixing glazing bar (with "A" frame) on bottom side sill



9x21(V921) in process



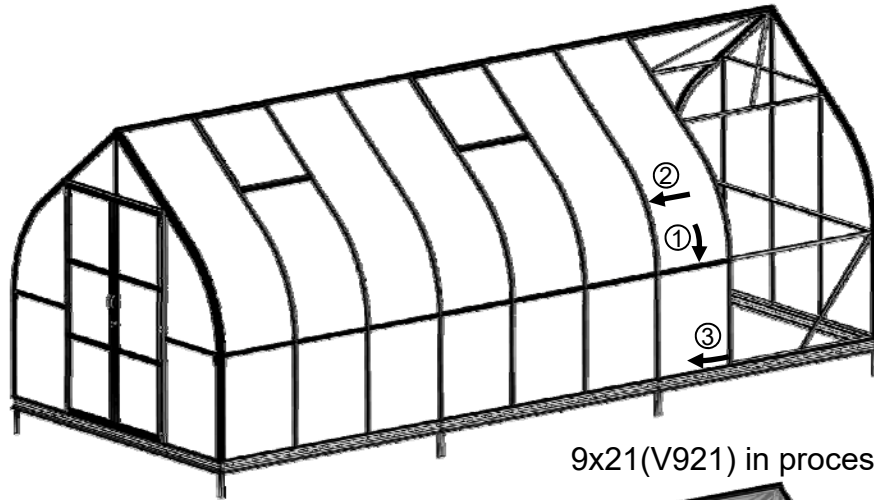
9x21(V921) in process



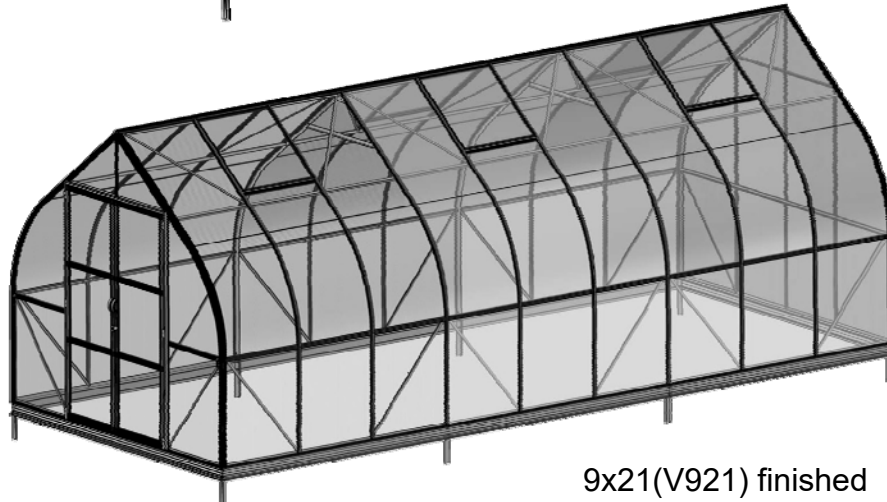
9x21(V921) in process



9x21(V921) in process



9x21(V921) in process



9x21(V921) finished

Other ClimaPod Greenhouse sizes are built in the same way by connecting the extension sets. Please note that if you may decide to extend you existing greenhouse, you can add 7' extensions to already built greenhouse. Please contact our sales team for quote by emailing [sales@climapod.com](mailto:sales@climapod.com).

# Packing List

	<b>Description</b>	<b>Virtue V907</b> (9x7 main house, 1 set)	<b>Virtue V9 Extension</b> (7' extension, 1 set)
<b>1</b>	<b>Rear Gable</b>	<b>1</b>	
<b>2</b>	<b>Front Gable</b>	<b>1</b>	
<b>3</b>	<b>Roof/side wall</b>	<b>1</b>	<b>1</b>
<b>4</b>	<b>Window</b>	<b>2</b>	<b>2</b>
<b>5</b>	<b>Door</b>	<b>1</b>	
<b>6</b>	<b>Curved front corner bar</b>	<b>4</b>	
<b>7</b>	<b>Curved glazing bar</b>	<b>4</b>	<b>6</b>
<b>8</b>	<b>Curved T shape bar</b>		<b>2</b>
<b>9</b>	<b>Polycarbonate panels</b>	<b>1</b>	<b>1</b>
<b>10</b>	<b>Tools</b>	<b>1</b>	
<b>11</b>	<b>Assembly Instruction</b>	<b>1</b>	
<b>12</b>	<b>Aluminum Base</b>	<b>1</b>	<b>1</b>

Contact Information:

MODULAR ORGANICS LLC

EMAIL: sales@climapod.com

Phone: 360.674.2642

Website: www.climapod.com