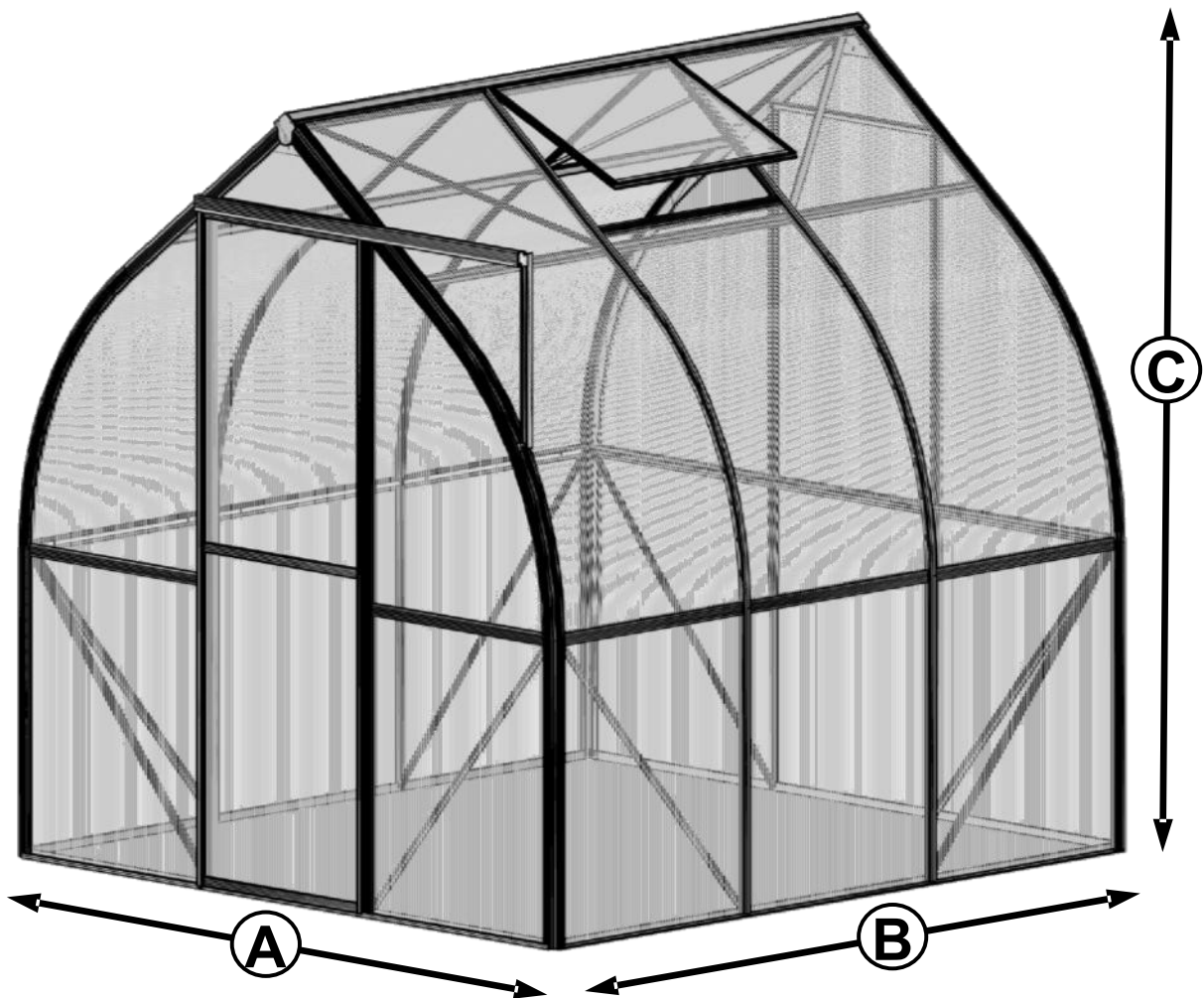




CLIMATM POD

Assembly instructions



MODEL	A (mm)	B (mm)	C (mm)
Spirit	2102 6'10 ³ / ₄ "	3670 12'1 ¹ / ₂ "	2185 7'2"

Walk-in Greenhouse

Statement

Dear Customer!

May we congratulate you on your new Greenhouse.
We feel sure that by following the detailed assembly instructions you will find as much pleasure in actually building the greenhouse as the time you will spend in your greenhouse in the future.

The assembly instructions mainly consist of detailed illustrations and no specific technical knowledge is required for the assembly of the greenhouse.

There are four packages for one set of Arched greenhouse totally.
The base is packed in one carton, no matter aluminum base or steel base.
The house frames are packed in two cartons, one for straight profiles and all of fittings, one for curved frames.
All the polycarbonate panels are packed in one carton.

All of the aluminum profiles are marked with a part number corresponding to the numbers given on the drawings and in the parts list. Nuts, bolts and fittings will be found in the relevant package.

All of the rear gable section straight frames are in package No.1
All of the front gable section straight frames are in package No.2
All of the roof/side wall section straight frames are in package No.3
All of the frames and components for the window are in package No.4
All of the frames and components for the door are in package No.5
The panels of Polycarbonate are not marked with a part number, but the sizes appear in the overview.
When fitting the Polycarbonate, the side with the opal film/text must turn outward.

Accessories

We offer a wide range of accessories which contribute to a better yield and make life easier for the gardener. A selection of the range is shown in the supplements to these instructions. Your dealer will be pleased to assist you with further information and a special brochure.

Winter Protection

In areas where snow might be expected we recommend the following in order to protect your greenhouse:

1. Support the ridge at the center of the greenhouse.
2. Removed larger snow loads.
3. Take precautions against snow falling down, for instance from a roof.

Complaints

We put severe demands on quality to secure that you get a faultless product. However, should a problem occur, we kindly ask you to contact the dealer from whom you have bought the greenhouse. For a quick service, you should specify the extent of the defect by means of the parts list in the assembly instructions. Please also note the model number which is marked on the front page of these instructions.

Guarantee

We grant a 10 year comprehensive guarantee which covers replacement or repairs of defective parts due to material or manufacturing defect. The guarantee does not cover polycarbonate, transport, erection. The guarantee is invalid if the greenhouse is not assembled according to these instructions.

Insurance

Not all insurance companies automatically cover greenhouses. We recommend you contact your insurance company to ensure that you are covered.

Statement

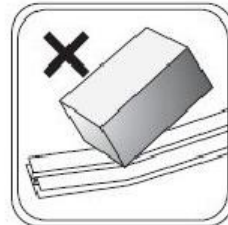
Foundation

The base is maintenance free and, of course all fittings are included. Remember to order concrete pipes and concrete at your local dealer as these are not included in the delivery.

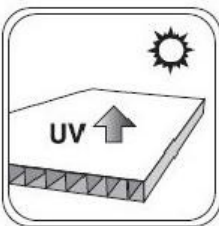
Cautions



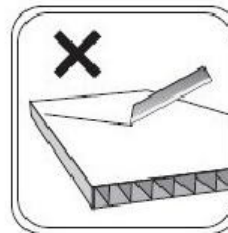
Remove approximately 2 inches of film from all sheet edges before installing. Remove all film immediately after the construction is completed.



Handle with care! Dropping can bend the frame, and it won't fit properly.



The UV-protected side of the sheet is covered with opal white film/text and must face towards the sun.



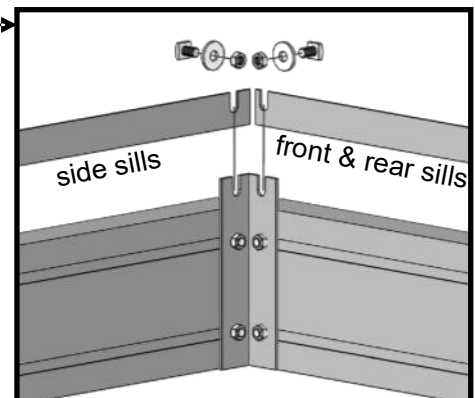
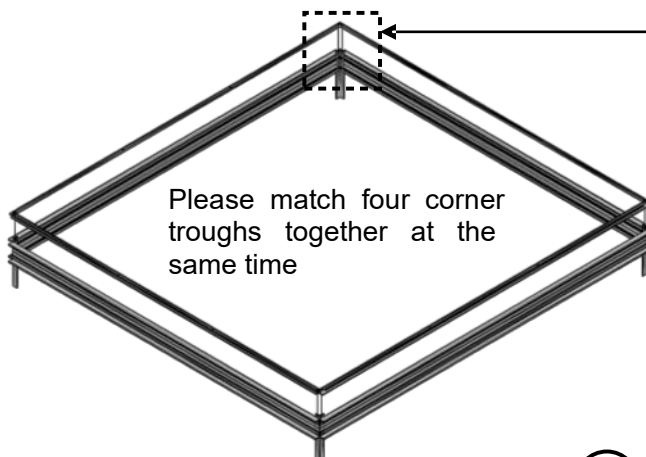
Keep sharp instruments away from the polycarbonate sheets.



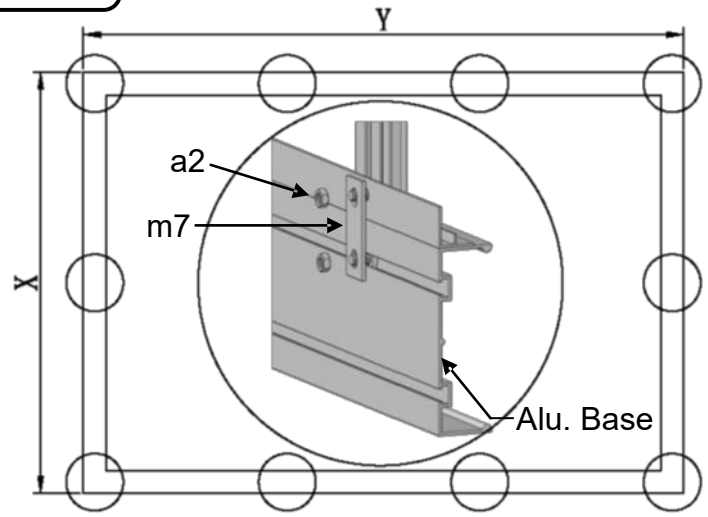
Please put on gloves avoid slitting your hands.

Tips

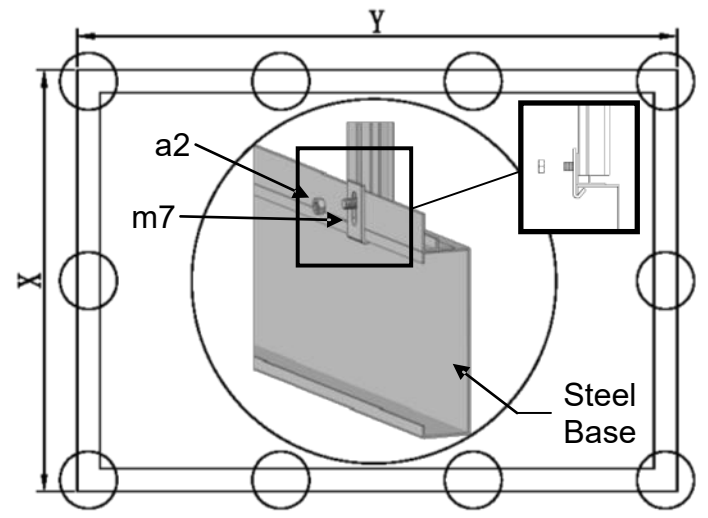
1. The base has to be fastened in a non-freezing depth(80cm).
2. The greenhouse is to be fastened to the base.
3. The base has to be 100% level and square. The easiest way to ensure this is to make sure that the two diagonal measurements are identical.
4. We recommend that you grease screws for doors and windows for easier assembly.
5. Erection of the greenhouse should only take place in calm and dry weather.
6. All frames are to be assembled around the polycarbonate as shown on the drawings. We recommend that you start with the back gable.
7. **IMPORTANT** Before assembling aluminum base, the end trough centers of four legs should match both end trough centers of side sills and front & rear sills at the same time.



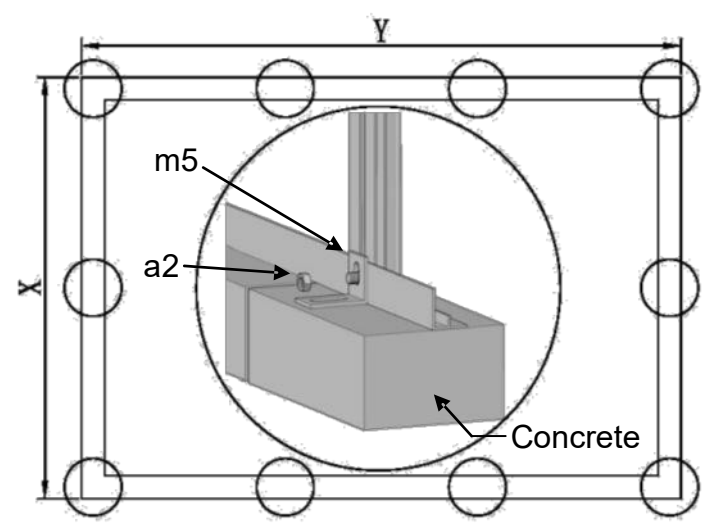
Base



#	m7
Spirit	12



#	m7
Spirit	16

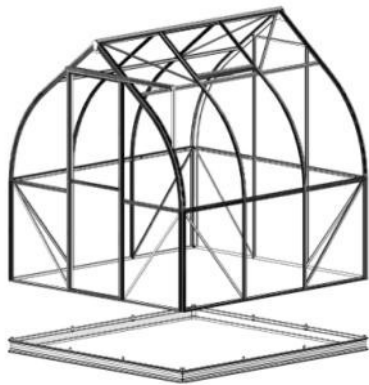
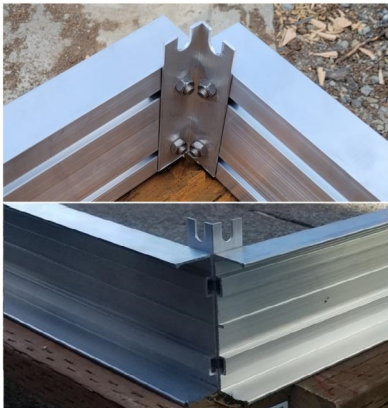
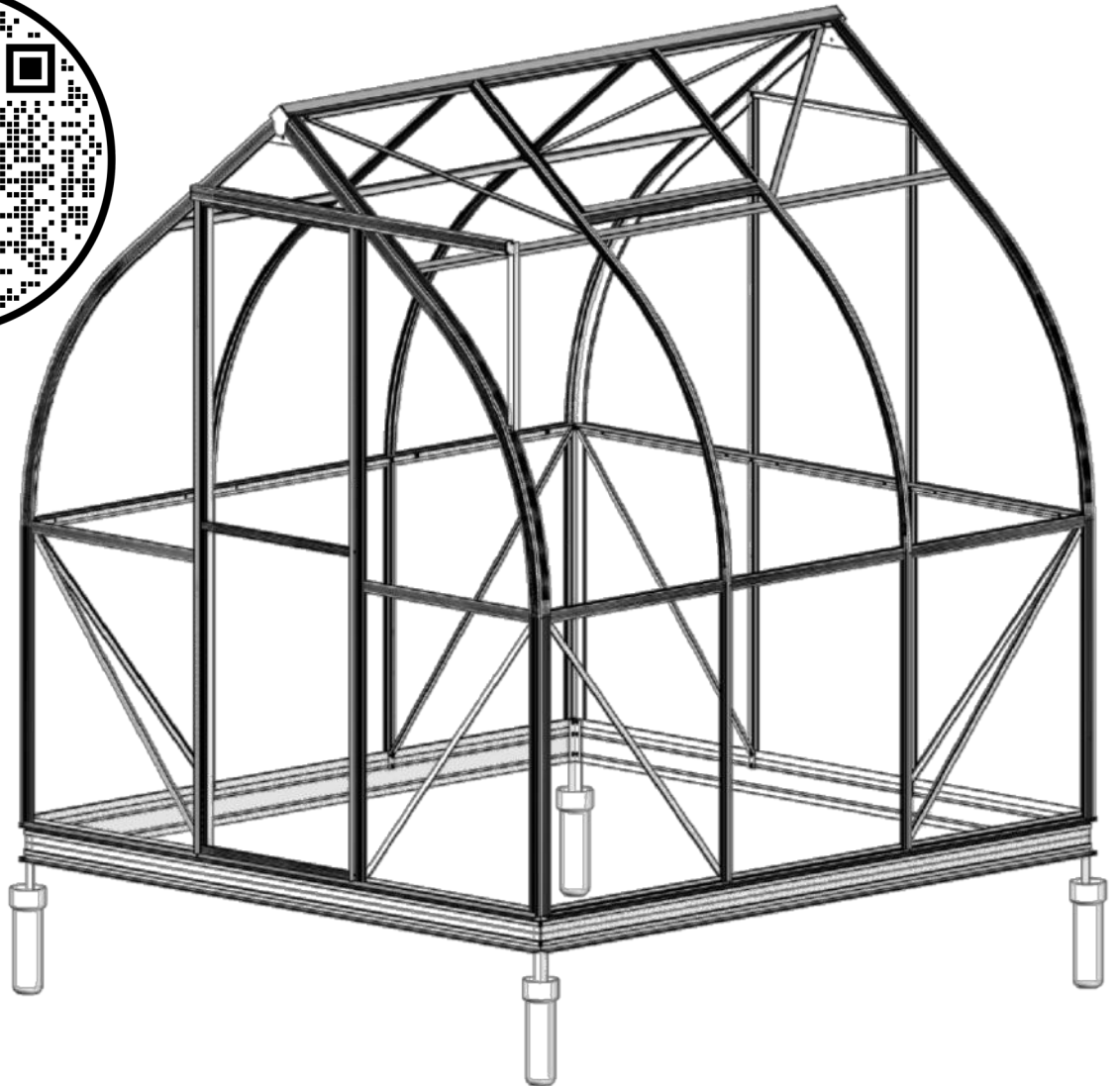


#	m5
Spirit	16

	X	Y
Spirit	2102	3670

	X	Y
Spirit	6'10 ³ / ₄ "	12'1 ¹ / ₂ "

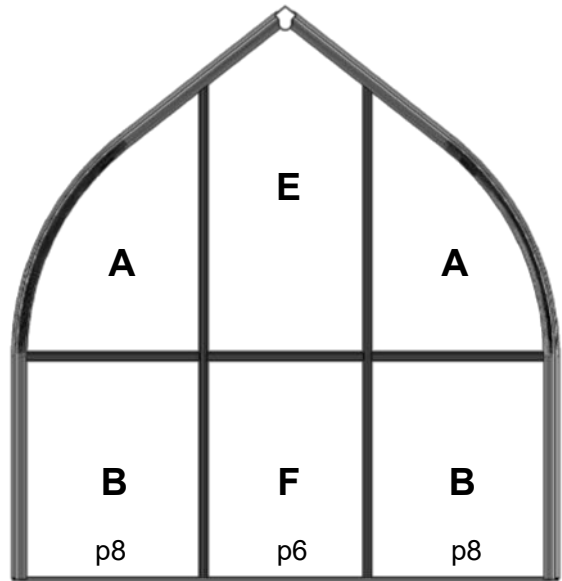
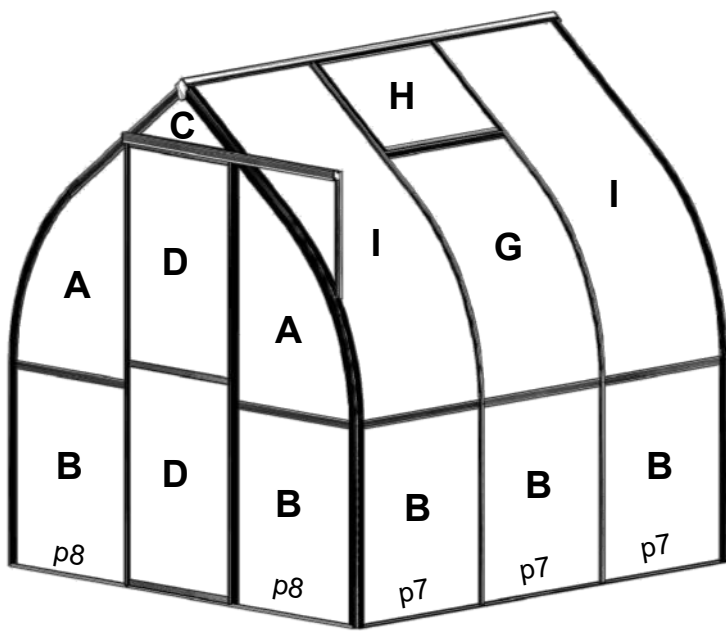
Base



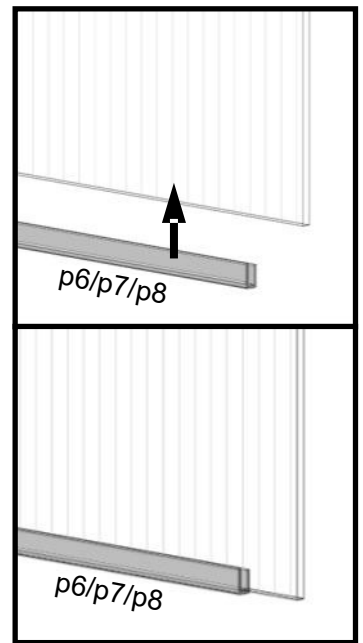
The left illustration shows length and width marked with “X” and “Y”. Part No. m5 shows a bracket used to secure the inside base when not using the original supplier’s foundation.

Prior to the assembly of the greenhouse, you should have a 10 mm nut driver, 10 mm open-end wrench, Philips head and slotted screw driver, spirit level, and some WD-40 lubricant.

Polycarbonate sheet



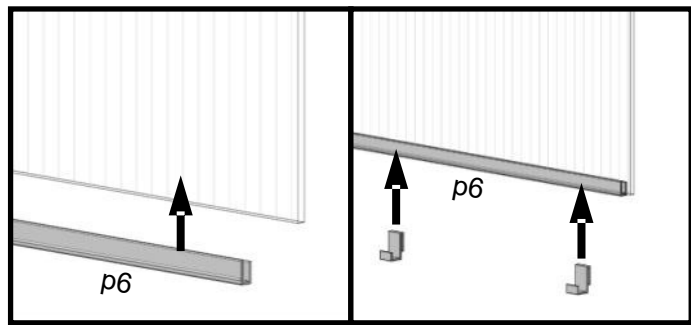
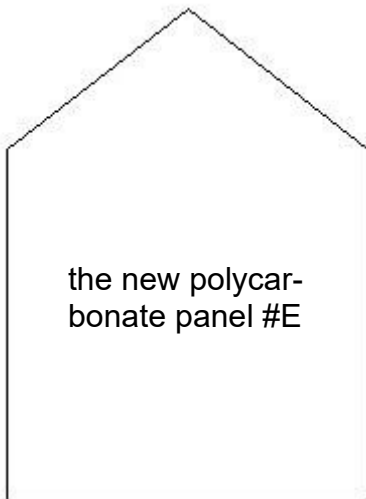
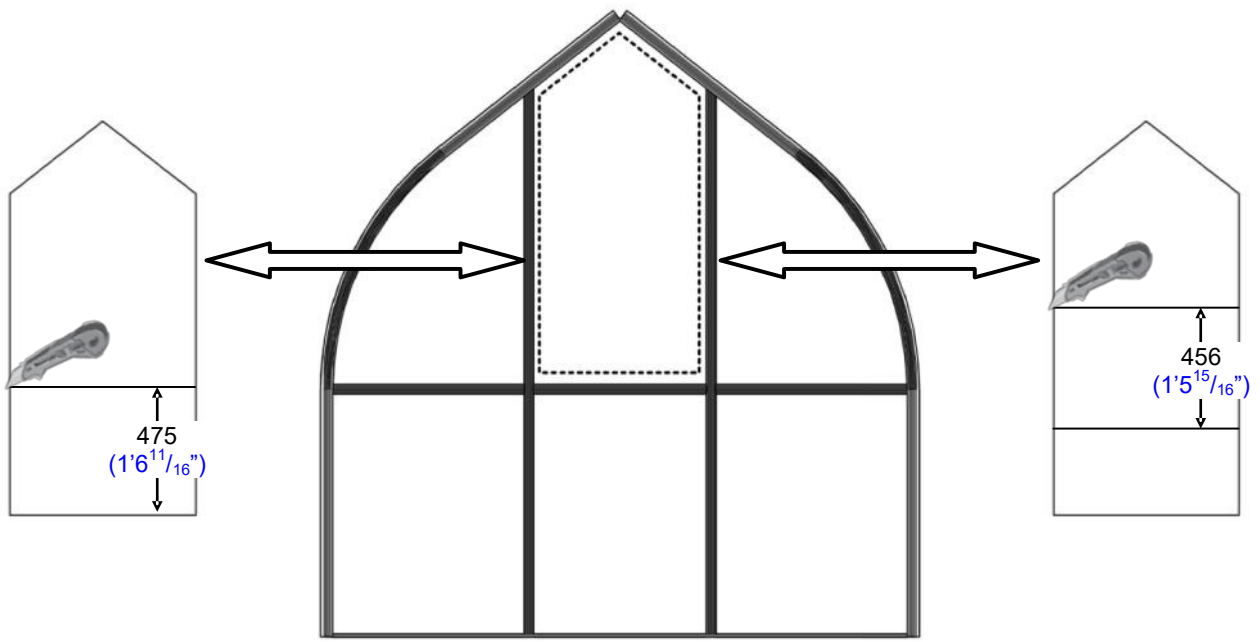
#	Size	Spirit
A	700x1049 (2'3 ⁹ / ₁₆ " x 3'5 ⁵ / ₁₆ ")	4
B	700x842 (2'3 ⁹ / ₁₆ " x 2'9 ¹ / ₈ ")	14
C	592x16/247/16 (1'11 ⁵ / ₁₆ " x 5 ⁵ / ₈ " / 9 ³ / ₄ " / 5 ⁵ / ₈ ")	1
D	599x913 (1'11 ⁹ / ₁₆ " x 2'11 ¹⁵ / ₁₆ ")	2
E	610x1057/1296/1057 (2' x 3'5 ⁵ / ₈ " / 4'3" / 3'5 ⁵ / ₈ ")	1
F	610x842 (2' x 2'9 ¹ / ₈ ")	1
G	700x1157 (2'3 ⁹ / ₁₆ " x 3'9 ⁹ / ₁₆ ")	4
H	696x506 (2'3 ³ / ₈ " x 1'7 ¹⁵ / ₁₆ ")	4
I	700x1714 (2'3 ⁹ / ₁₆ " x 5'7 ¹ / ₂ ")	6
p6	592 (1'11 ⁵ / ₁₆ ")	1
p7	682 (2'2 ⁷ / ₈ ")	10
p8	660 (2'2"	4



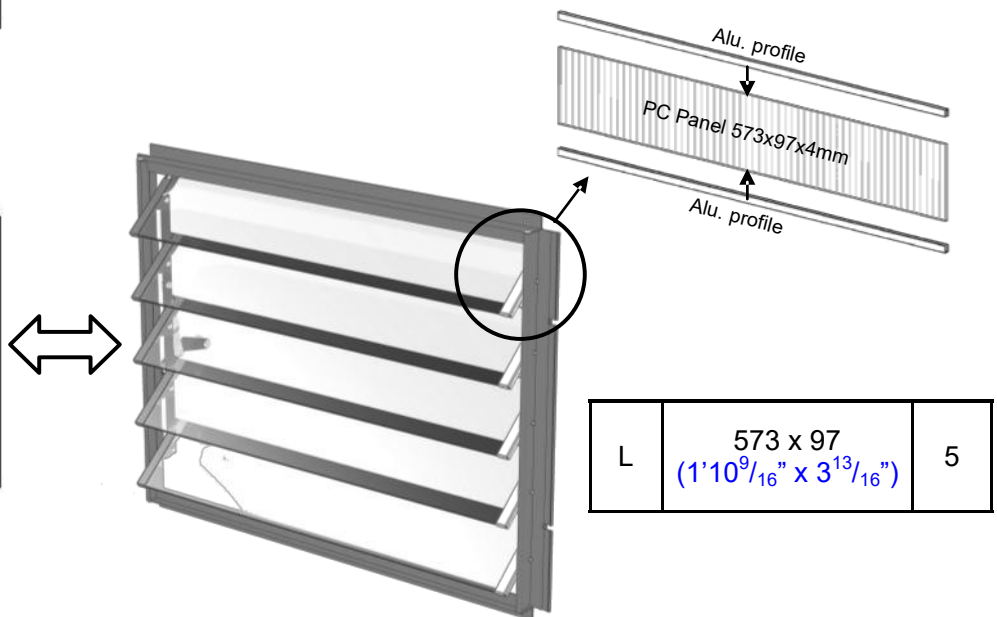
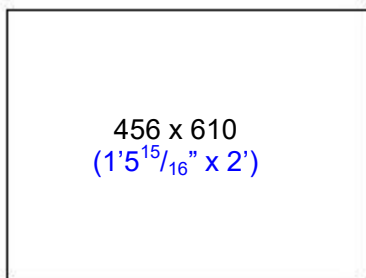
This page shows the positioning of the polycarbonate panels for the front and rear gable as well as the roof and the sides. It also indicates where the parts #P6, #P7 and #P8 are used. When fitting parts #P6/P7/P8 on the ends of the panels, try using a narrow piece of bar soap through the part first. It will allow it to slide on much easier. #P6/P7/P8 must be fitted on one end of polycarbonate in advance before polycarbonate be inserted into aluminum frame. The square illustration on the page shows the placement of the gray plastic U shape strips. To transfer the size of the panels from mm to inches, divide by 25.4.

Louver

Louver is an optional Accessories



Using **Alu. clip** to connect louver and PC panel



The list of Section

Section	Part No.	Profile	Size	Spirit	Section	Part No.	Profile	Size	Spirit
R E A R	V701		2563 (8'4 ⁷ / ₈ "	1	V E N T	V042		683 (2'2 ⁷ / ₈ "	4
	V702		2563 (8'4 ⁷ / ₈ "	1		V044		698 (2'3 ¹ / ₂ "	4
	V005		1912 (6'3 ¹ / ₄ "	1		V045		698 (2'3 ¹ / ₂ "	4
	V006		1912 (6'3 ¹ / ₄ "	1		V746		525 (1'8 ¹¹ / ₁₆ "	8
	708		642 (2'1 ¹ / ₄ "	1		047		300 (11 ¹³ / ₁₆ "	4
	V009		683 (2'2 ⁷ / ₈ "	2		048		200 (7 ⁷ / ₈ "	4
	V010		594 (1'11 ³ / ₈ "	1	D O O R	V049		586 (1'11 ¹ / ₁₆ "	1
	711		2036 (6'8 ³ / ₁₆ "	1		V050		586 (1'11 ¹ / ₁₆ "	2
	057		1100 (3'7 ⁵ / ₁₆ "	2		V051		1864 (6'1 ³ / ₈ "	2
	V713		2036 (6'8 ³ / ₁₆ "	1		054		558 (1'9 ¹⁵ / ₁₆ "	1
F R O N T	V703		2563 (8'4 ⁷ / ₈ "	1	a1		M6x10	122	
	V704		2563 (8'4 ⁷ / ₈ "	1	a2		M6	137	
	V009		683 (2'2 ⁷ / ₈ "	2	a3		M6x18	2	
	057		1100 (3'7 ⁵ / ₁₆ "	2	a4		Φ4.2x9.5	16	
	V014		1912 (6'3 ¹ / ₄ "	1	a5		Φ3.5x19	20	
	V015		1912 (6'3 ¹ / ₄ "	1	a6		Φ3.5x35	6	
	V716		2036 (6'8 ³ / ₁₆ "	1	a7		Φ4x8	2	
	V718		594 (1'11 ³ / ₈ "	1	a8		M6x15	9	
	V719		1245 (4'1"	1	a9		M6x15 crop	4	
	056		707 (2'3 ¹³ / ₁₆ "	2	a10		Φ3x10	2	
R O O F / S I D E	V023		3629 (11'10 ⁷ / ₈ "	1	a11		M3	2	
	V028		3608 (11'10 ¹ / ₁₆ "	2	m1		-	2	
	033		3595 (11'9 ⁹ / ₁₆ "	2	m3		-	8	
	038		3595 (11'9 ⁹ / ₁₆ "	2	m6		-	1	
	012		1100 (3'7 ⁵ / ₁₆ "	4	n1		-	2	
	741		939 (3'1 ⁵ / ₁₆ "	4	p1		-	2	
	V042		683 (2'2 ⁷ / ₈ "	10	p3		-	8	
	V743		2557 (8'4 ¹¹ / ₁₆ "	8	p4		-	2	
					p5		-	2	
				p6		592 (1'11 ⁵ / ₁₆ "	1		
				p7		682 (2'2 ⁷ / ₈ "	10		
				p8		660 (2'2"	4		
				m11		-	1		
				FLUFF		3.8m	1		

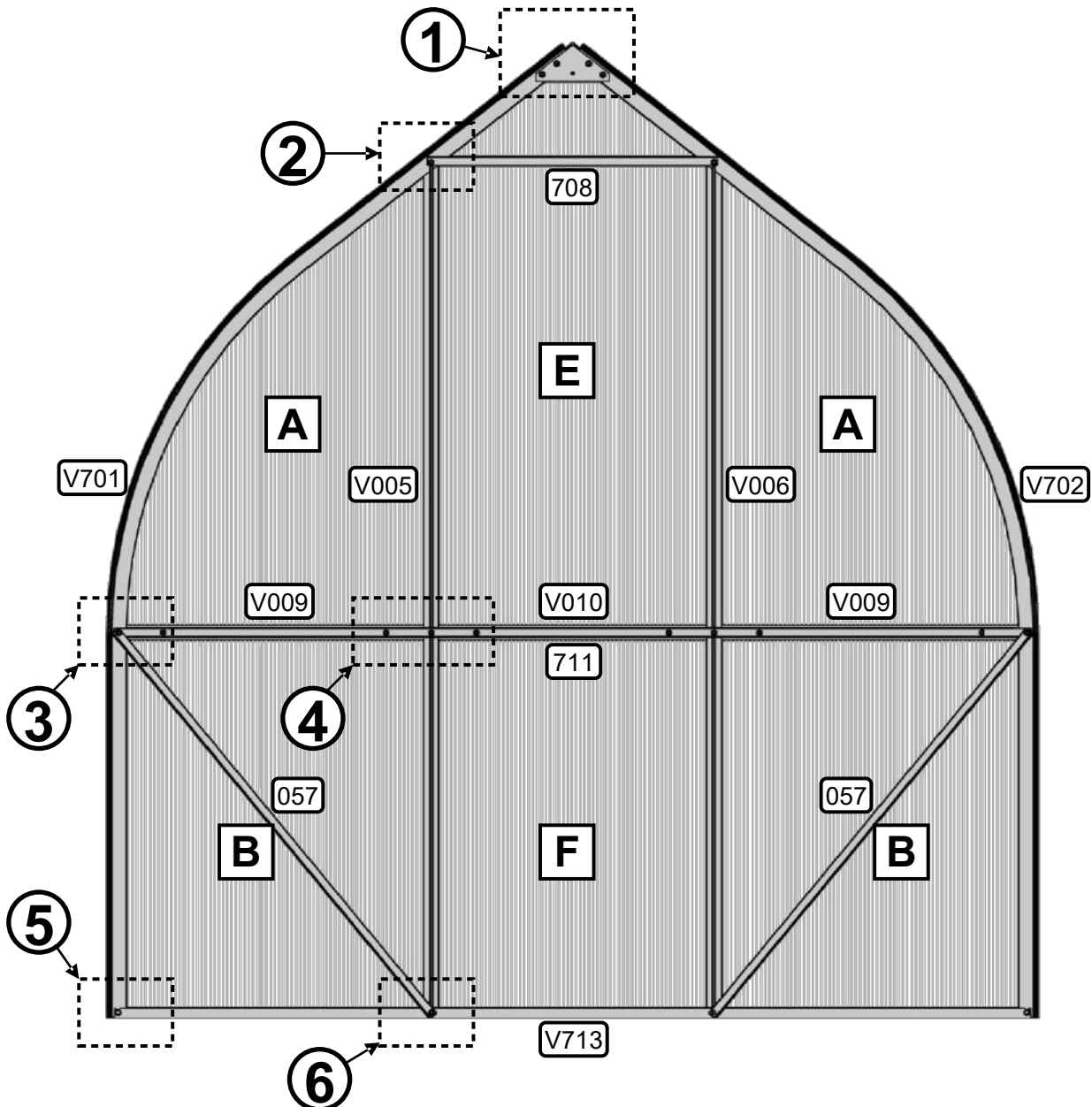
Step 1

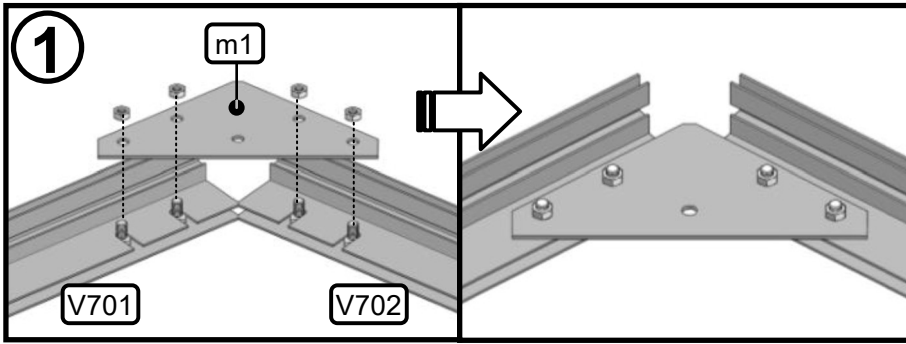
Rear Gable

Package No. 1

With this page, you will assemble the rear gable (back). It is far easier if you have an elevated surface such as two 4'x8' pieces of plywood on a sawhorses. If not, lay the aluminum profiles out on a hard surface as shown in the main illustration. Remember you are building from the inside with the outside facing down. Start with one of the "E" panels and build the aluminum around the polycarbonate panel. the polycarbonate side with the opal film/text must facing down.

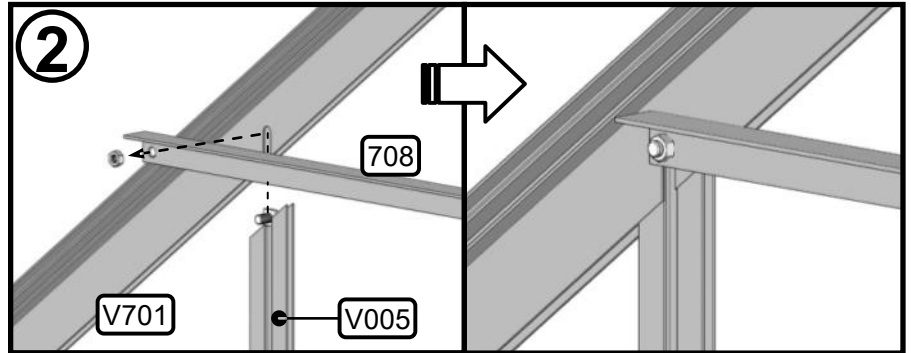
Part No.	V701	V702	V005	V006	708	V009	V010	711	057	V713	m1	a1	a2	a9	p1	p6	p8
Size	2563 8'4 ⁷ / ₈ "	2563 8'4 ⁷ / ₈ "	1912 6'3 ¹ / ₄ "	1912 6'3 ¹ / ₄ "	642 2'1 ¹ / ₄ "	683 2'2 ⁷ / ₈ "	594 1'11 ³ / ₈ "	2036 6'8 ³ / ₁₆ "	1100 3'7 ⁵ / ₁₆ "	2036 6'8 ³ / ₁₆ "	-	M6x10	M6	M6x15	-	592 1'11 ⁵ / ₁₆ "	660 2'2"
Qty	1	1	1	1	1	2	1	1	2	1	1	18	20	2	1	1	2



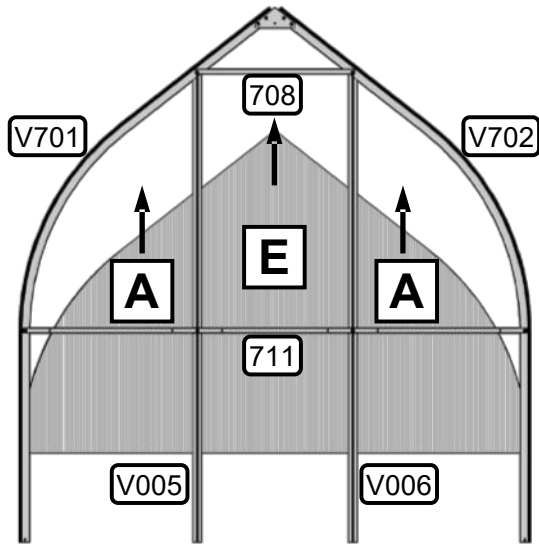


Square No.1 This the Ridge. The square headed bolt slides into the channel in part #V701 & #V702, and connect them with part #m1, Our bolts and nuts were made of stainless steel.

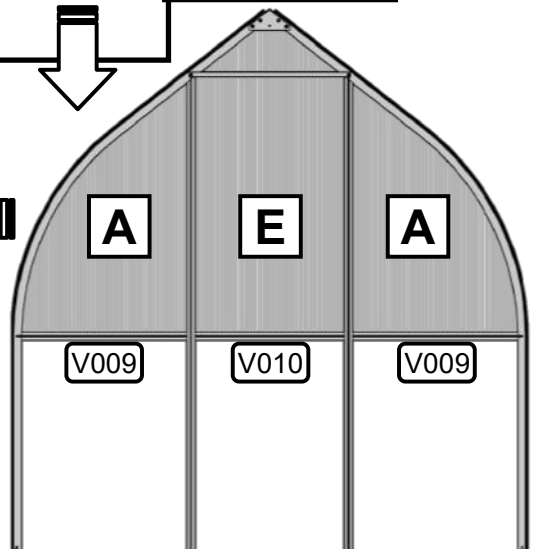
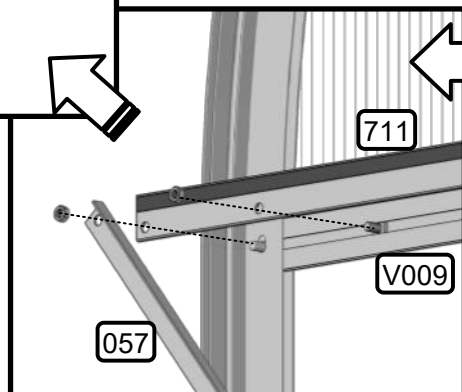
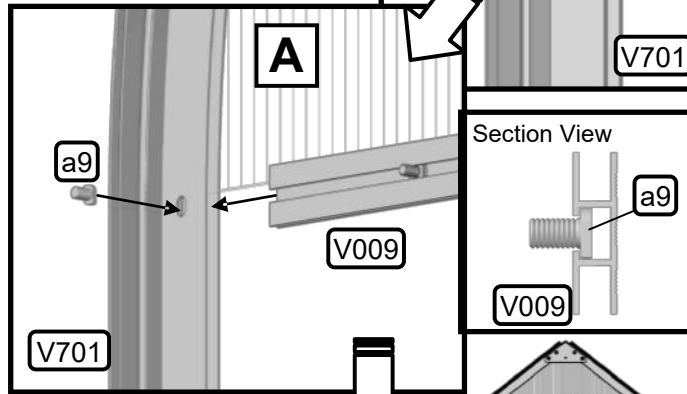
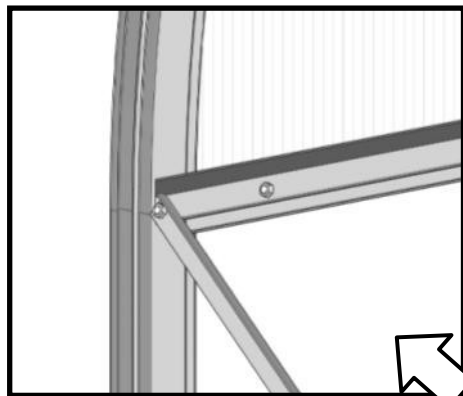
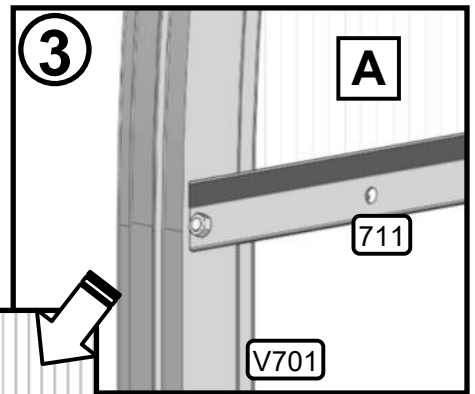
Square No.2 Insert part #V005 into Part #V701 channel, contact with part #708 together, Please insert extra bolt #a1 into the channel of Part #V006 for attaching part #711 use later. Do the same for the opposite end.

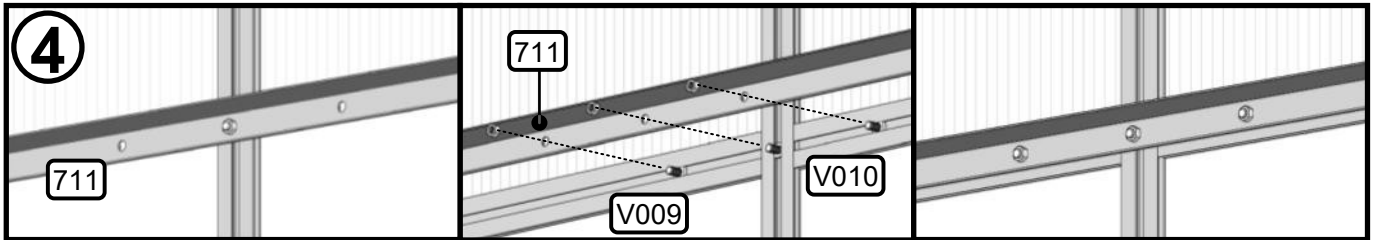


Note: Please connect Part #711 with Part #V701, #V702, #V005, #V006 firstly before you are inserting PC panel #A & #E into profiles' channel.

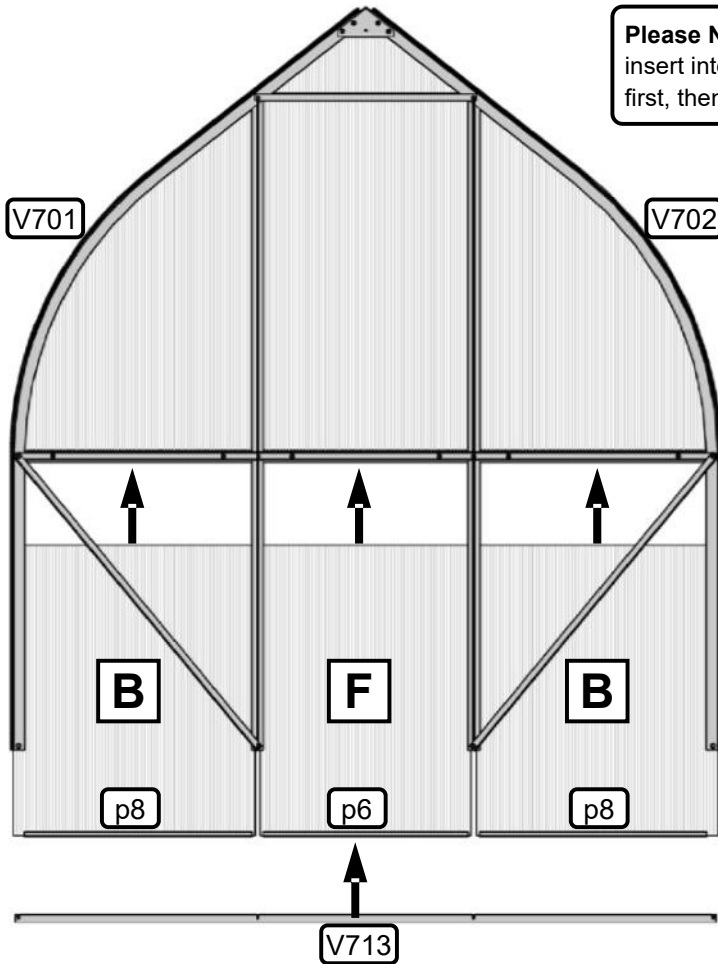


Square No.3 After PC panels in position, then dismantle part #711 and adjust the distance same between PC panel and keyway edge.

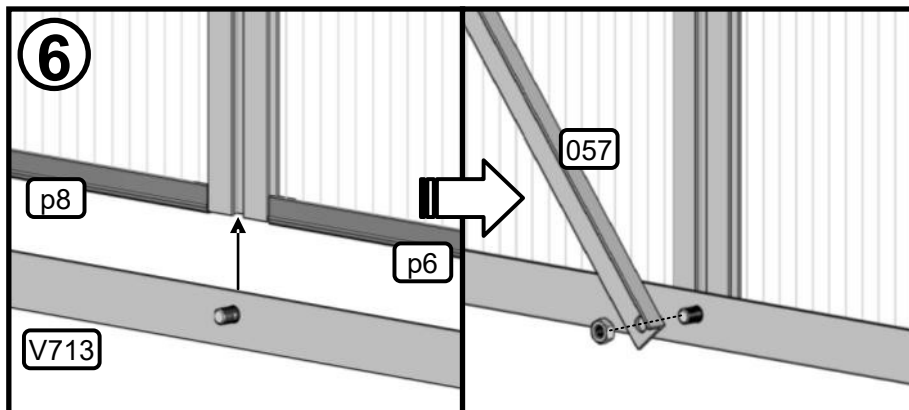
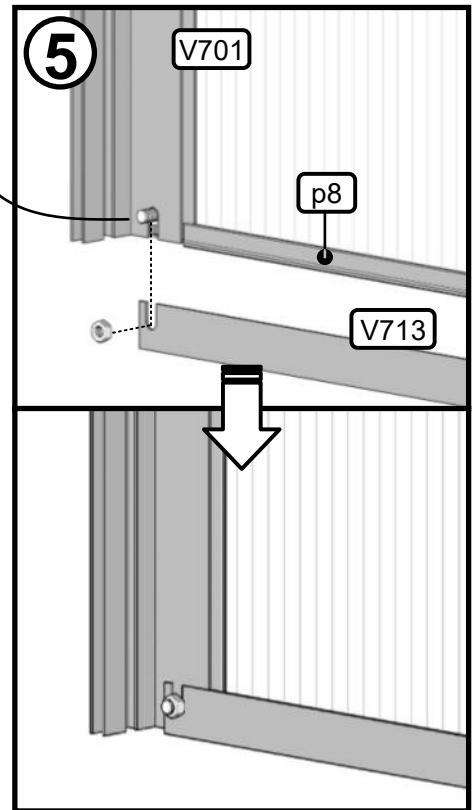




Square No. 4 Assembly part #V009, #V010 in place, then connect with part #711 again.



Please Note: Don't let this bolt block polycarbonate panel to insert into part #V701&V702 alu. frame channel. Insert PC panel first, then slide this bolt in part #V701&V702 profile's trough.



Square No. 5
Inserting PC panel #B,#F in profiles' channel. With PVC anti-dust strip #p6 & #p8 on bottom.

Square No.6
Connect Part #V713.

Please note: 4 Bolts will need to be slid into each Part #V701 and #V702 for ridge, hanging basket bar or horizontal rail and side sill beam in advance, Finger tightens the nuts for later use.(Bolts and nuts in Package No.3 of Roof/Side wall)

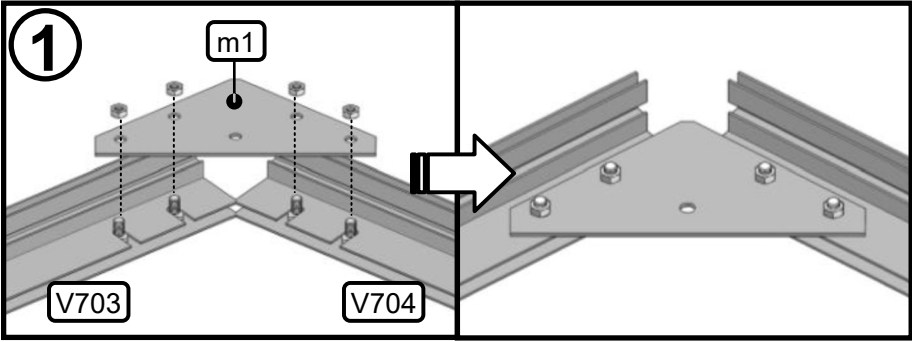
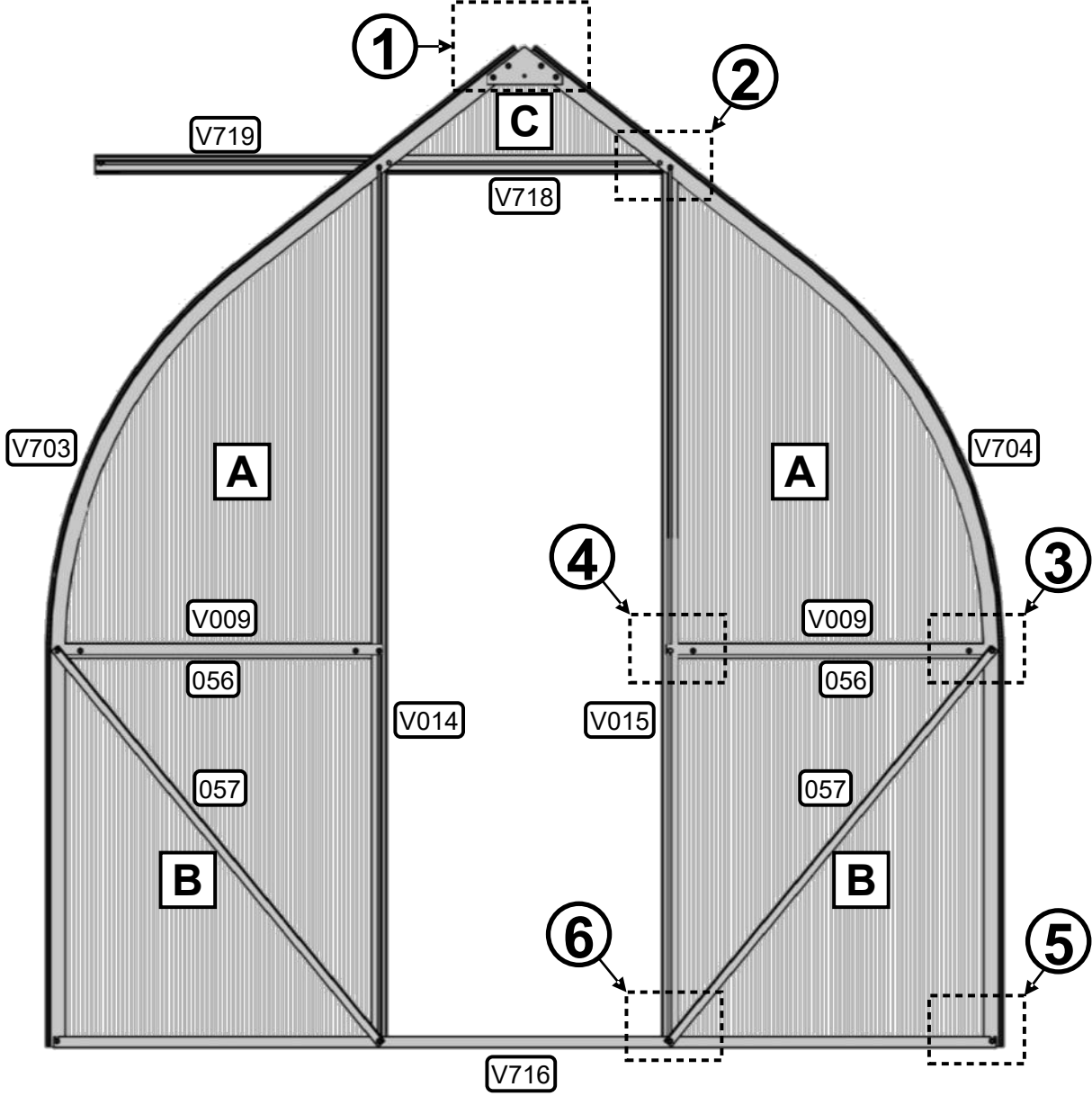
Please remember to add an extra bolt and nut to part #V701 or #V702, depending on which side you have your window (only for V705). Finger tightens the nut for later use when mounting the window in the greenhouse.

When finished with the back gable, stand it up out of the wind so it will not blow over.

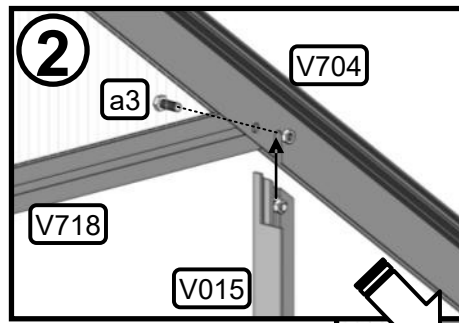
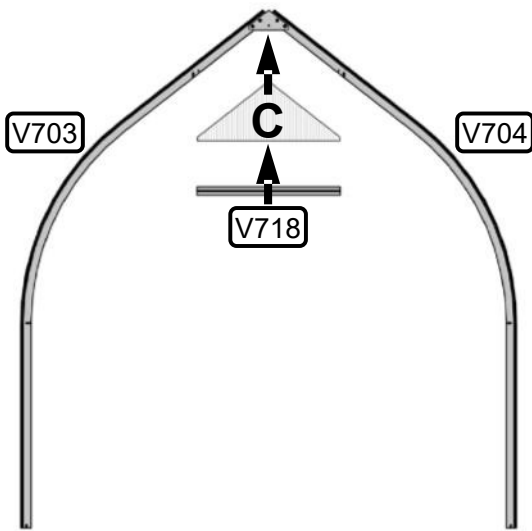
Step2 Front Gable

Package No.2

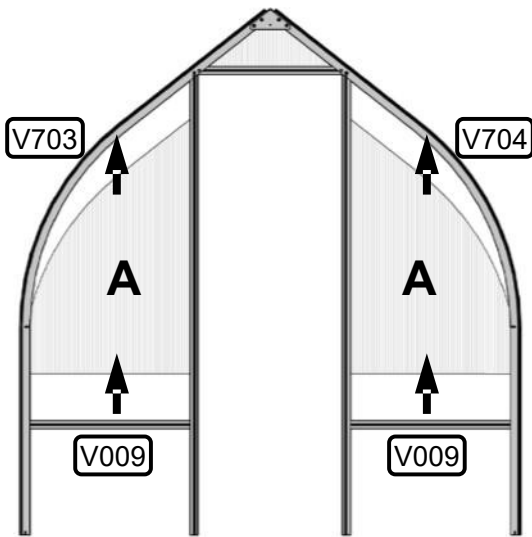
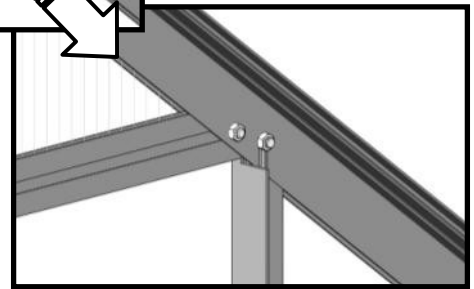
Part No.	V703	V704	V009	057	V014	V015	V716	V718	V719	056	m1	a1	a2	a3	a9	p1	p8
Size	2563 8'4 ⁷ / ₈ "	2563 8'4 ⁷ / ₈ "	683 2'2 ⁷ / ₈ "	1100 3'7 ⁵ / ₁₆ "	1912 6'3 ¹ / ₄ "	1912 6'3 ¹ / ₄ "	2036 6'8 ³ / ₁₆ "	594 1'11 ³ / ₈ "	1245 4'1"	707 2'3 ¹³ / ₁₆ "	-	M6x10	M6	M6x18	M6x15	-	660 2'2"
Qty	1	1	2	2	1	1	1	1	1	2	1	16	20	2	2	1	2



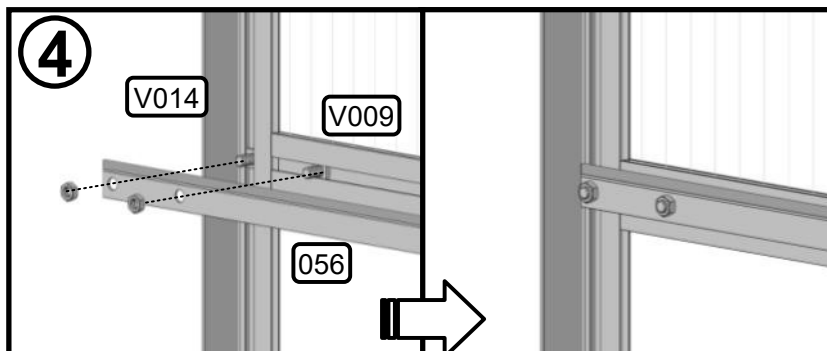
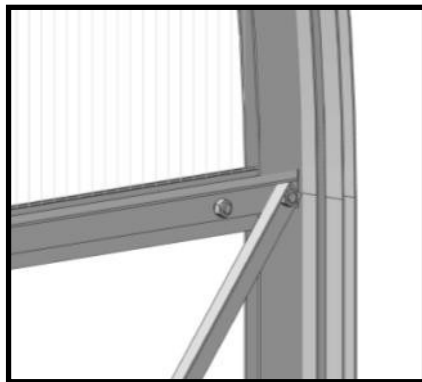
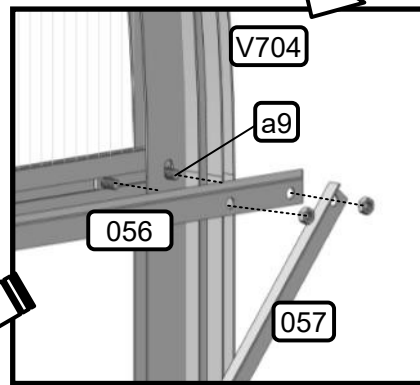
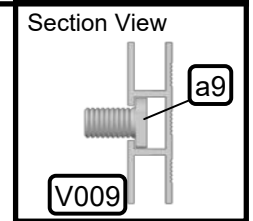
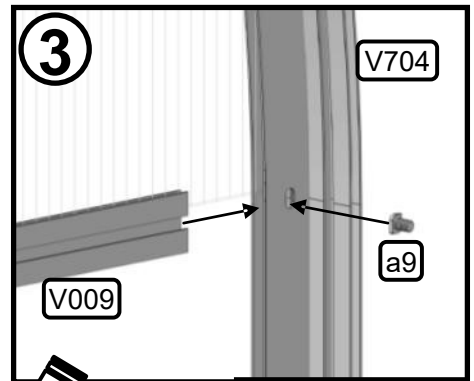
Square No.1 this step is very much like the rear gable.



Square No.2 Assemble polycarbonate panel #C on part #V703 & #V704, use part #V718 to fix it.

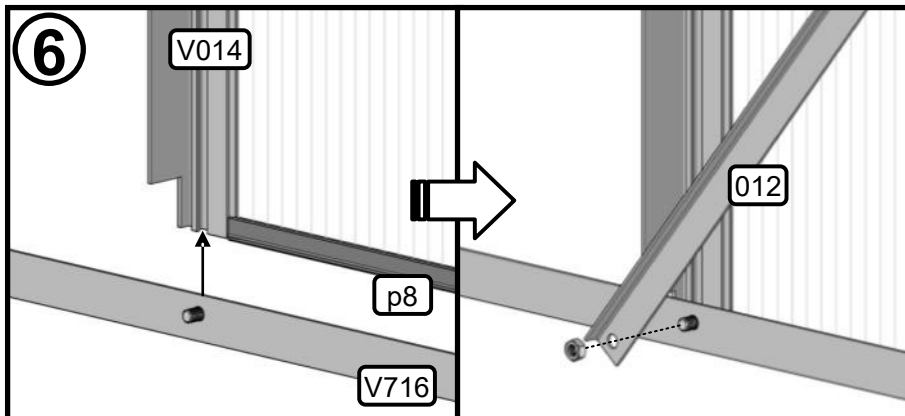
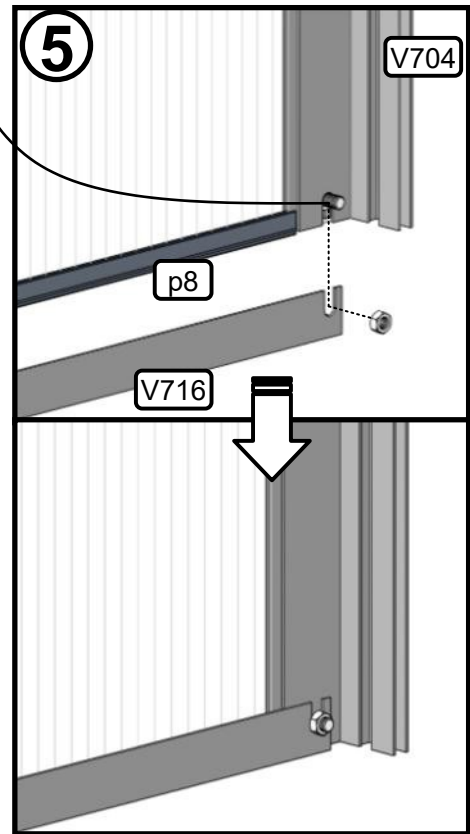
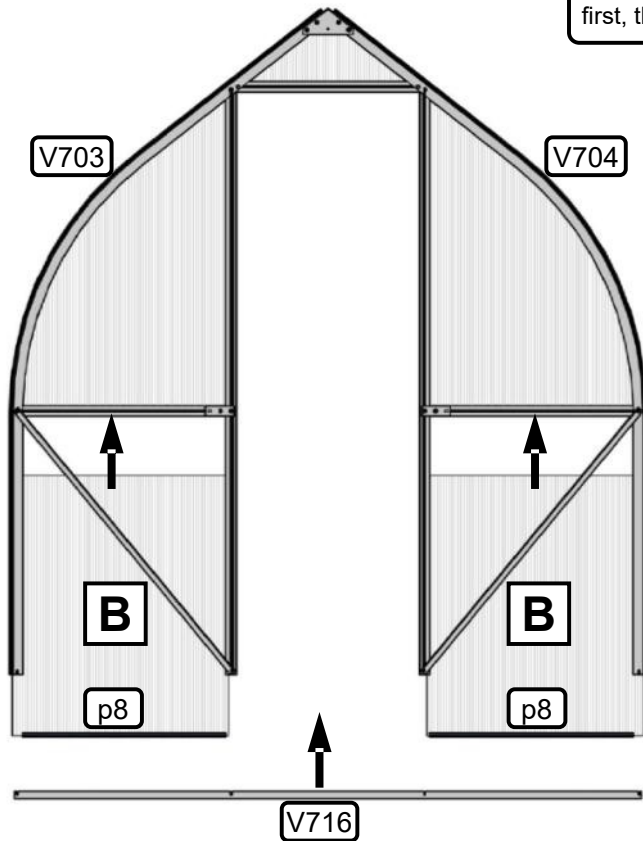


Square No.3 After PC panels in position, then adjust the distance same between PC panel and keyway edge.



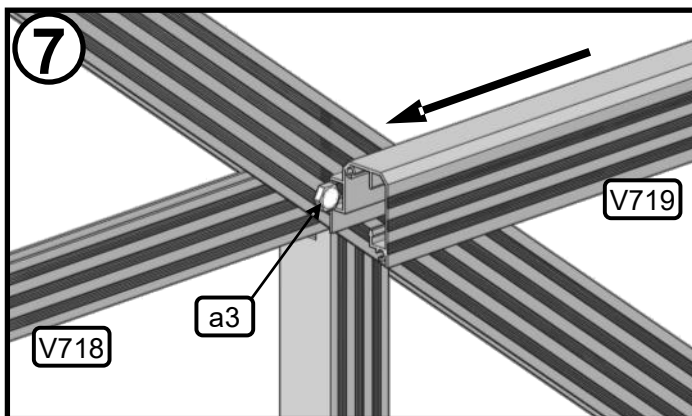
Square No.4 Use the part #056 to connect the part #V009 & #V014.

Please Note: Don't let this bolt block polycarbonate panel to insert into part #V703&V704 alu. frame channel. Insert PC panel first, then slide this bolt in part #V703&V704 profile's trough.

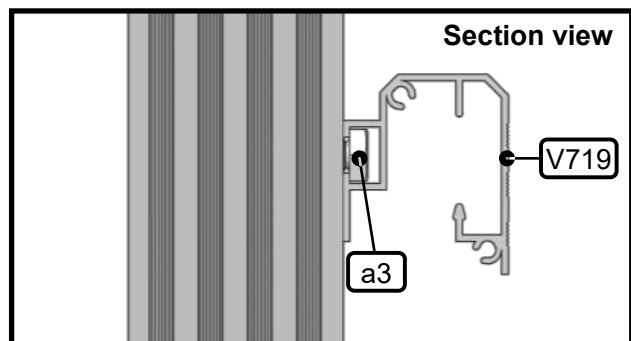


Square No. 5
Inserting PC panel #B in profiles' channel. With PVC anti-dust strip #p8 on bottom.

Square No.6
Connect Part #V716.



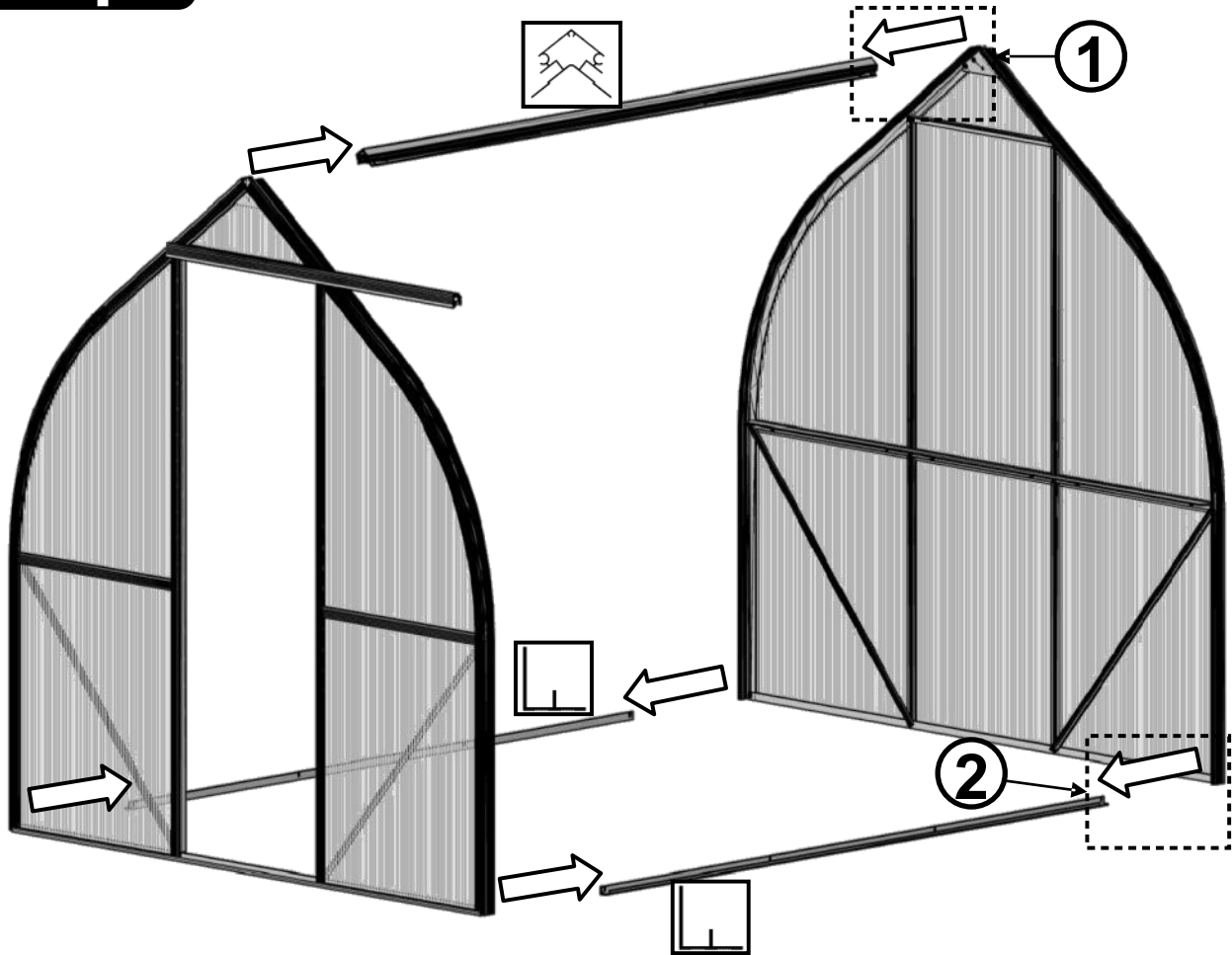
Square No.7 The bolt #a3 to fix #V718 is an extra long stainless bolt. The bolt slides into part #V719 and extends through parts #V703 & #V704.





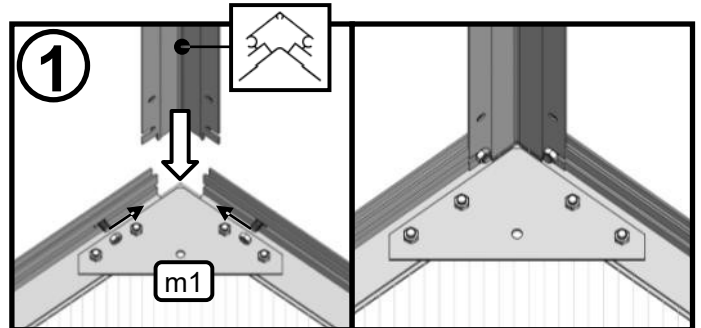
Please note: 4 Bolts will need to be slid into each Part #V703 and #V704 for Ridge, hanging basket bar or horizontal rail and Side sill beam in advance, Finger tightens the nuts for later use.(Bolts and nuts in Package No.3 of Roof/Side wall)

Step 3

Connect front gable with rear gable by Ridge and side sill beam.

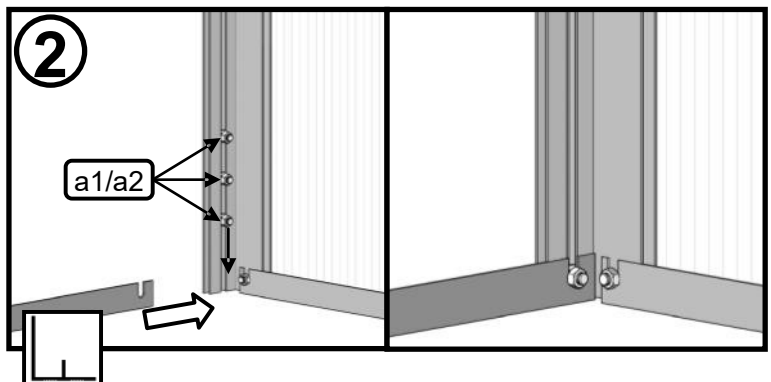


	Part No.	Size	Spirit
	V023	3629 11'10 ⁷ / ₈ "	1
	V028	3608 11'10 ¹ / ₁₆ "	2

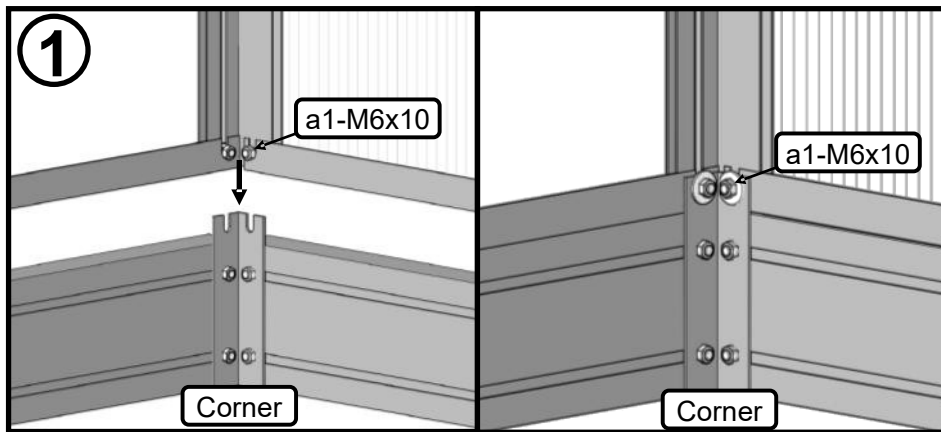
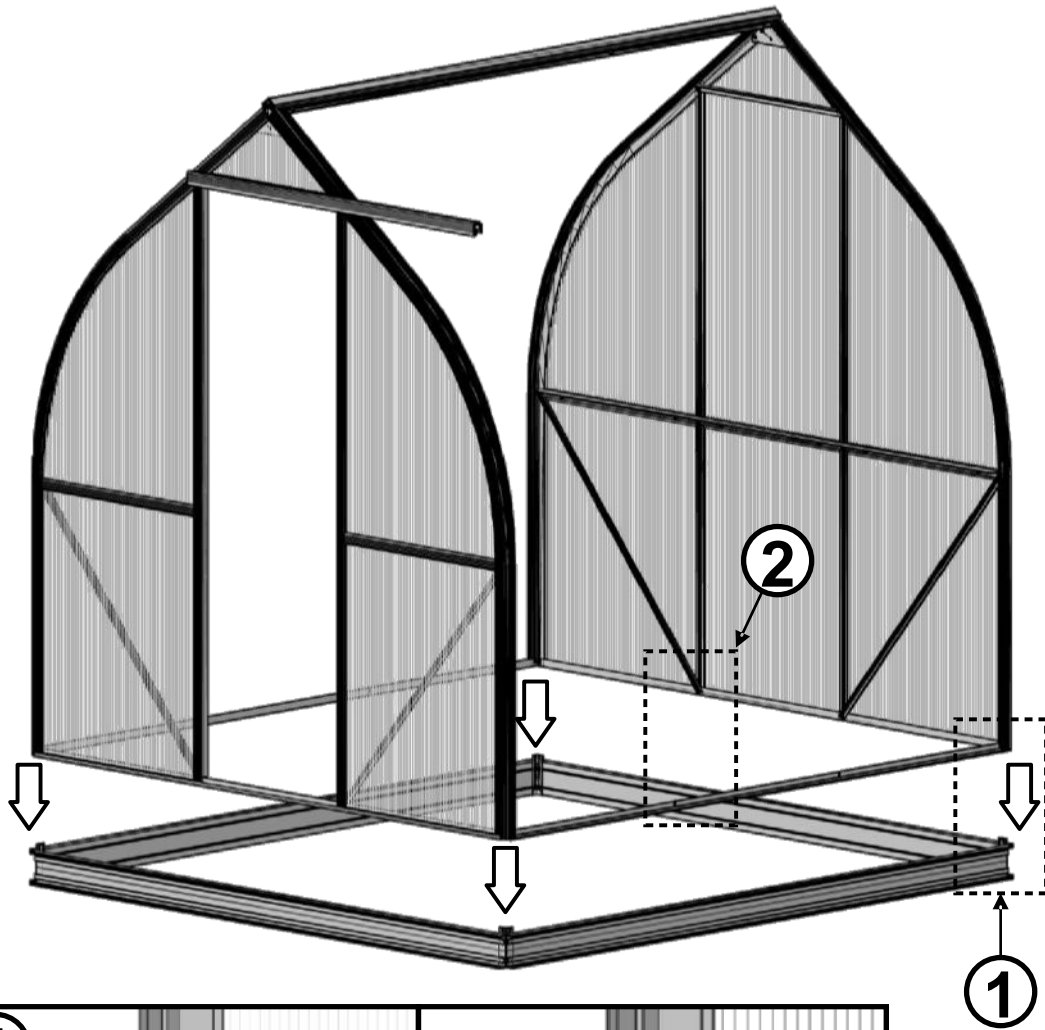


Square No.1 Attaching the ridgepole to the gables, this is where you may have to adjust bolts in plate #m1 to fit the pole into gables. Slide the bolt with the nut on up the trough of ridgepole and tighten.

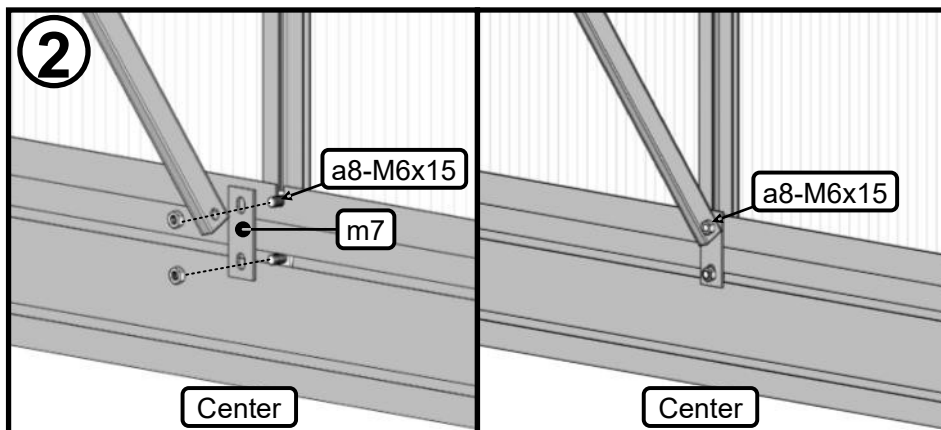
Square No.2 Connect side sill beam with curved corner bar, this can be one of the easiest. This is where you will use an open-end 10mm wrench. Because of the tight corner, it is difficult to work with the nut driver. Once you have attached side sill to curved corner bar, bring the corner together and slide the bolt down into the slot. Tighten with the open-end wrench.



Assemble greenhouse frame on Alu. base.

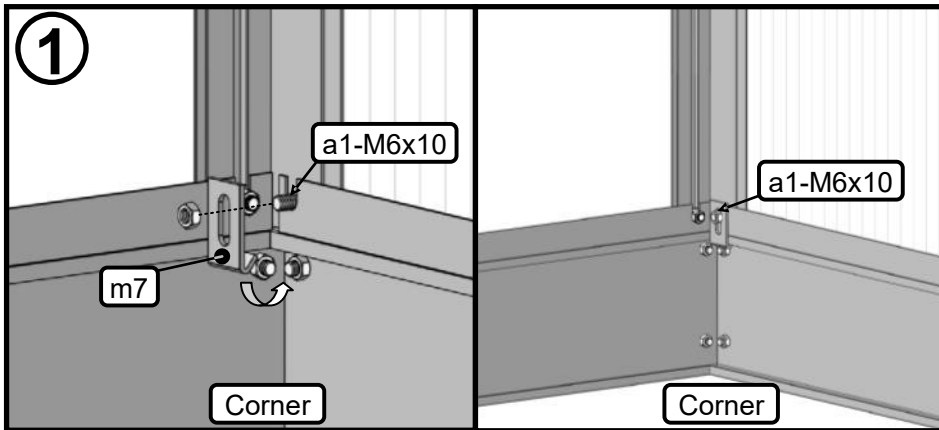
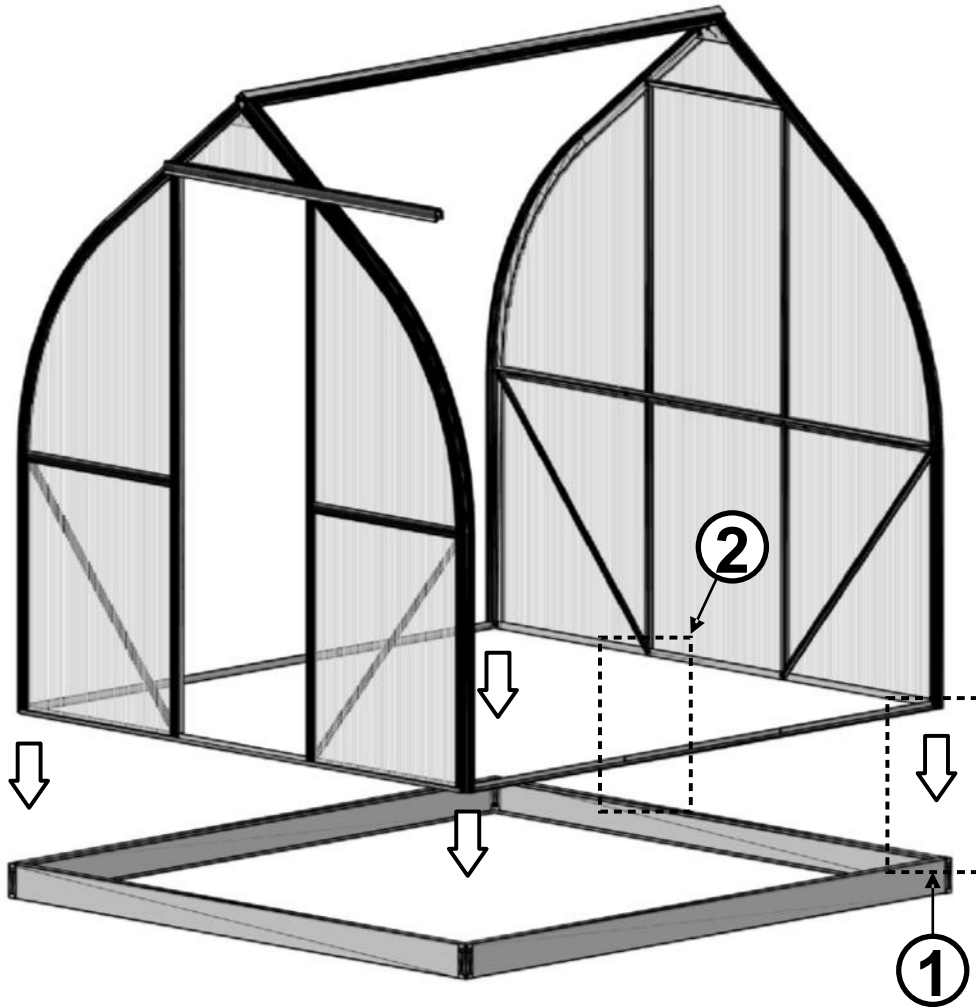


Square No.1 You may loosen the bolts in corners and re-tighten it at the trough of base legs.

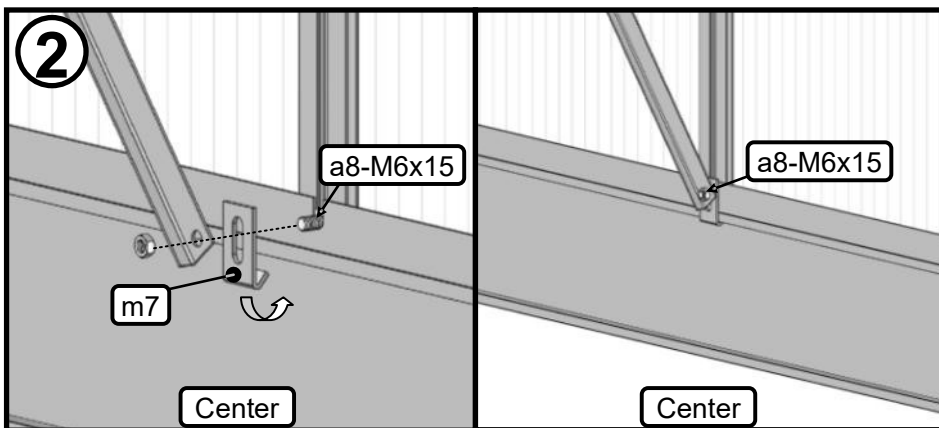


Square No.2 Assemble greenhouse frame on base by connector m7 in the middle of bottom.

Assemble greenhouse frame on Steel base.



Square No.1 You may loosen the bolts in corners and re-tighten it together with base connector m7.



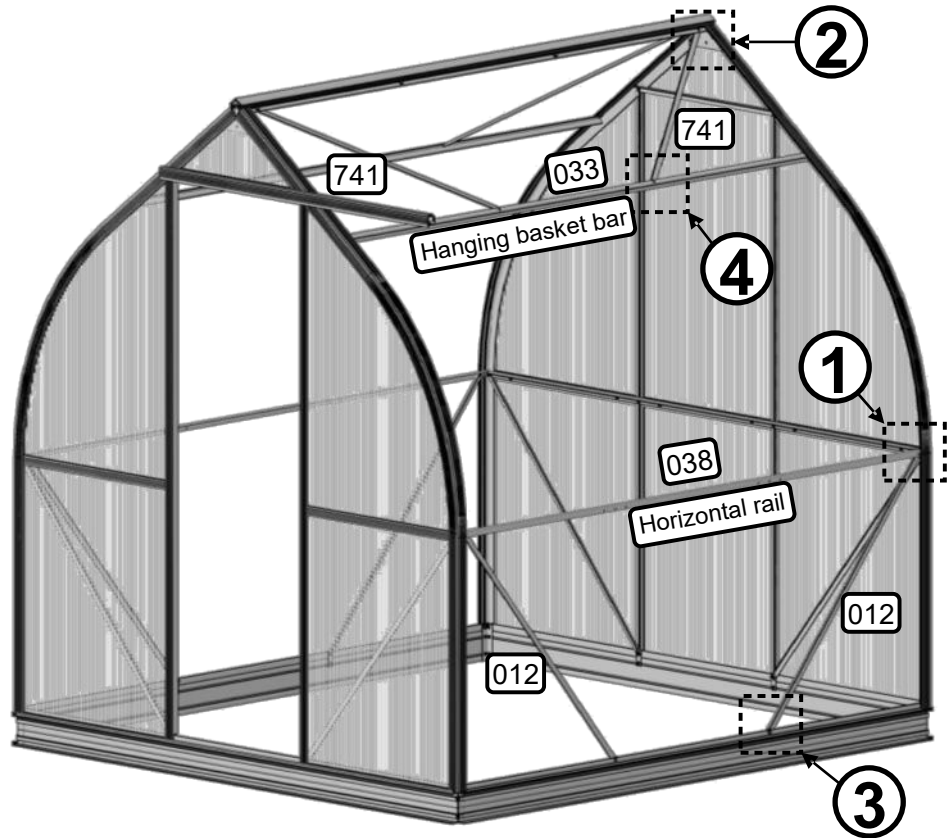
Square No.2 Assemble greenhouse frame on base by connector m7 in the middle of bottom.

Step 4

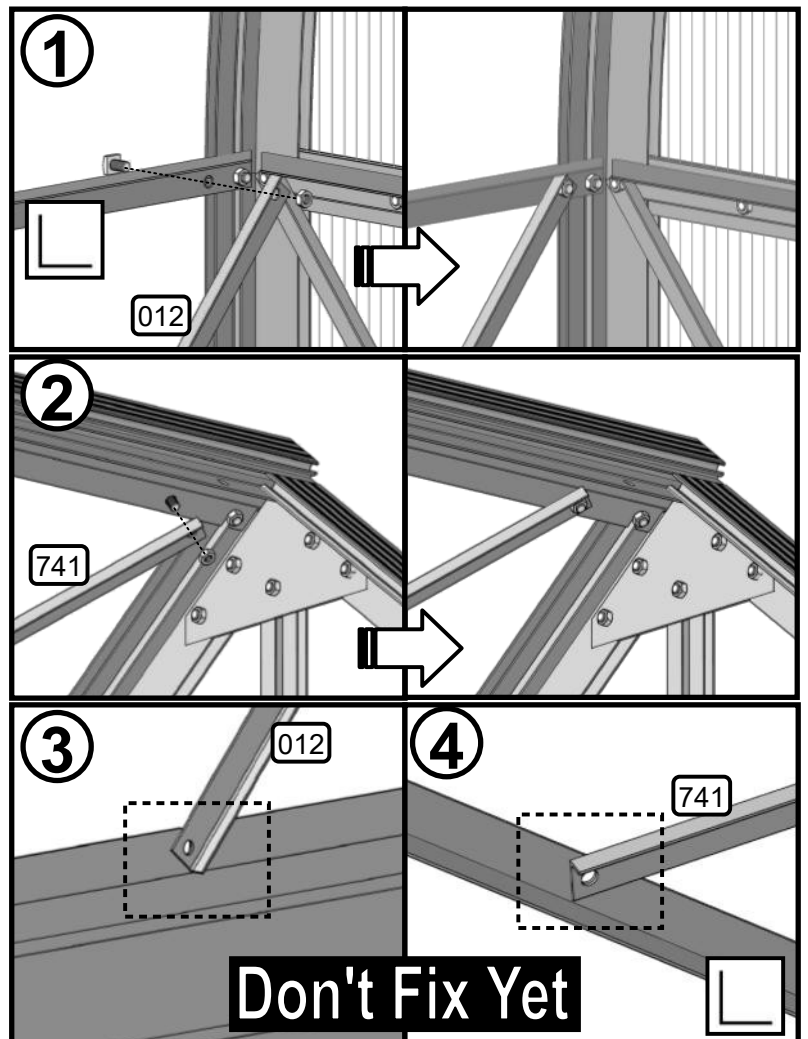
Roof/side wall

Package No.3

Before assembling polycarbonate panel and glazing bar. Please connect hanging basket bar and horizontal rail on front and rear corner bars. also connect roof and sidewall bracing bars (#741 & #012). Then the greenhouse will be in straight shape structure. Then we can start to assemble PC panels and glazing bars smoothly.



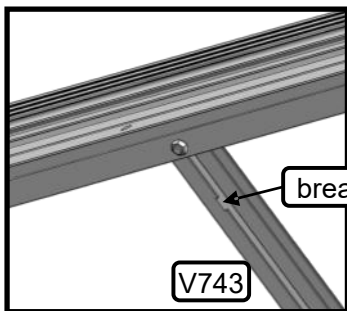
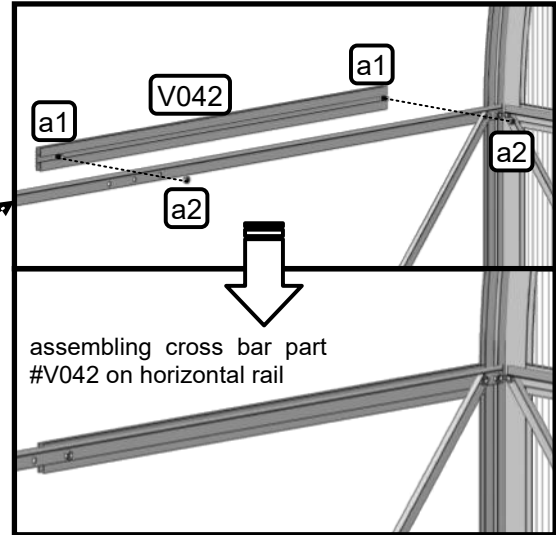
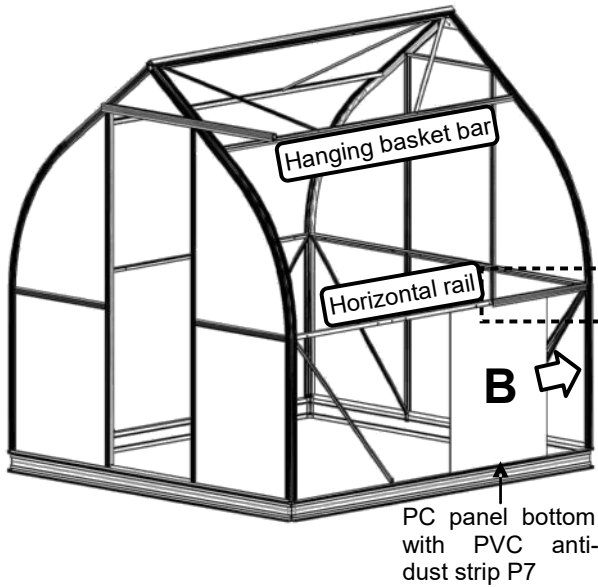
	Part No.	Size	Spirit
└┘	033	3595 11'9 ⁹ / ₁₆ "	2
	038	3595 11'9 ⁹ / ₁₆ "	2
└┘	012	1100 3'7 ⁵ / ₁₆ "	4
└┘	741	939 3'15 ¹⁵ / ₁₆ "	4
┌┐	V042	683 2'2 ⁷ / ₈ "	10
┌┐	V743	2557 8'4 ¹¹ / ₁₆ "	8
	a1	M6x10	64
	a2	M6	72
	a8	M6x15	8
	p7	682 2'2 ⁷ / ₈ "	10



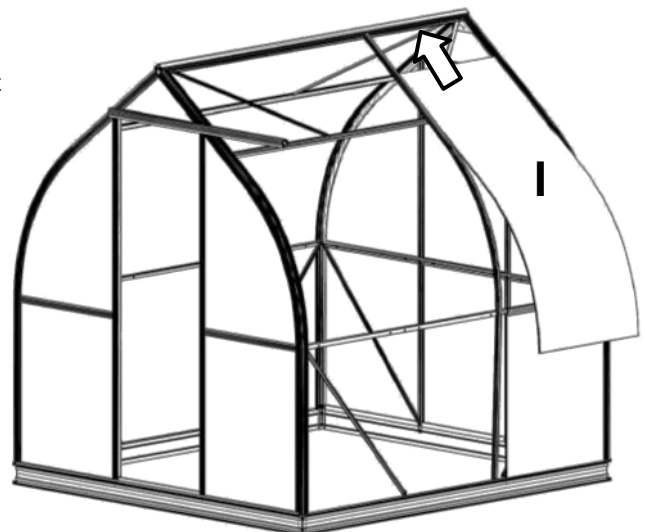
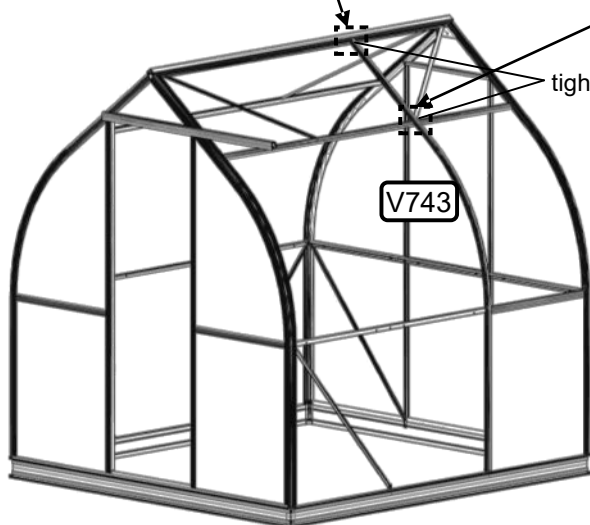
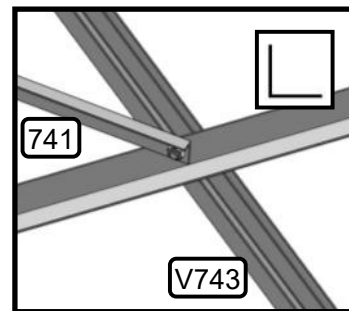
Now we are starting to assemble Polycarbonate panels and glazing bar.

1. Sliding PC panel #B between cross bar part #V042 and side sill beam with PVC anti-dust strip P7 on bottom.
2. Connect curved glazing bar #V743 with ridge and hanging basket bar, and tighten it.
3. Inserting polycarbonate panel #I into the alu. Frame channel and curve it along the curved alu. Channel.
4. You could squeeze PC panel up and down, and adjust the depth of inserting of cross bar part #V042 on horizontal rail.

Very Important: 2 #a1 Bolts will need to be slid into each glazing bar for hanging basket bar & horizontal rail, 1 #a8 bolt be slid into each glazing bar for connect side sill in advance, and finger tightened for later use. Please note: At this stage you will need to insert an extra bolt into each glazing bar either side of a vent opening. So you will have to decide now where your roof vents are positioned so that you can work out the correct number of bolts in each glazing bar. **And slide roof vent to decided position from Ridge immediately, otherwise glazing bar will block its slide after glazing bar is fixed.**

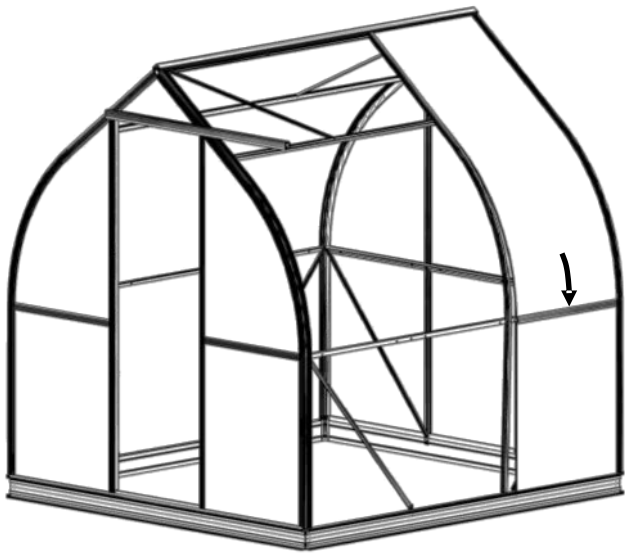


If you forgot sliding extra bolts into glazing bar or corner bar channels in advance, please add it through this breach.

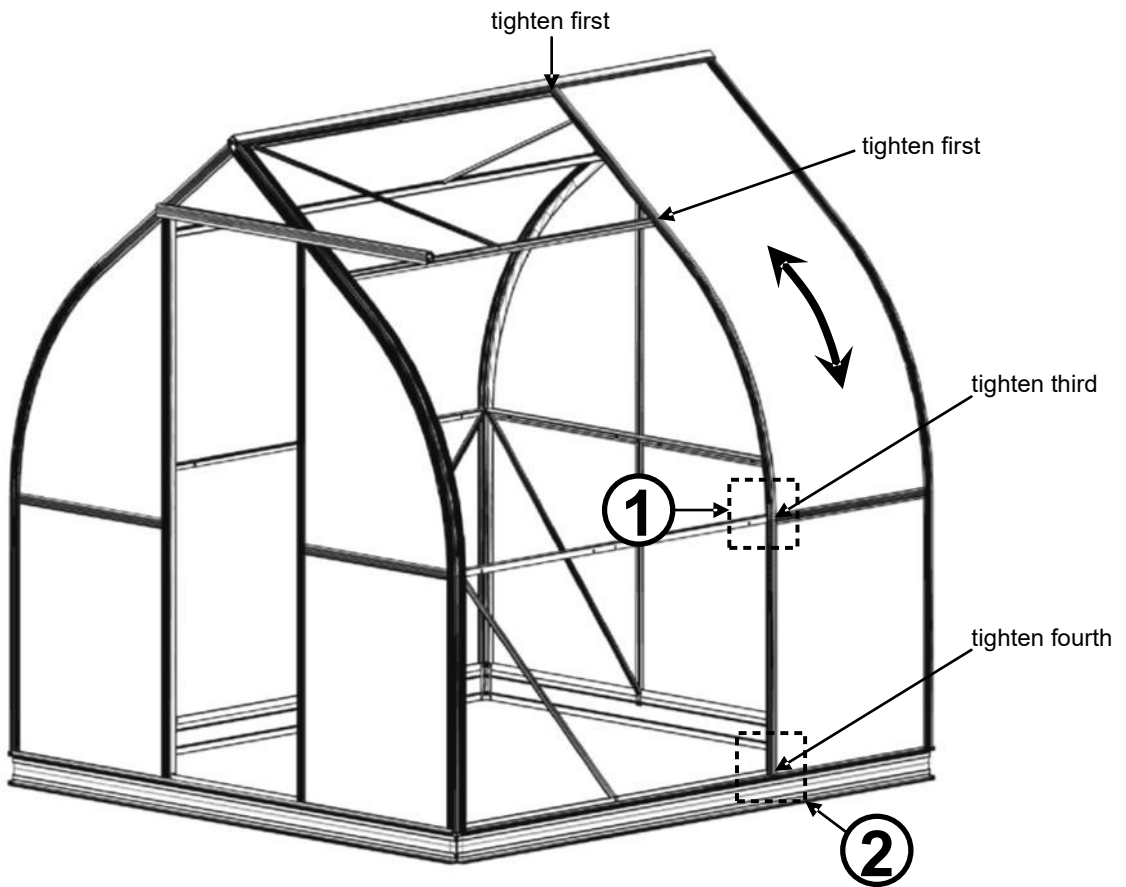
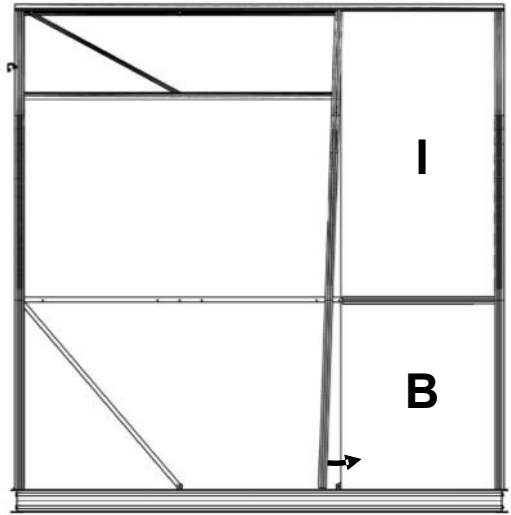


You should attach glazing bar #V743 with ridge and hanging basket bar first.

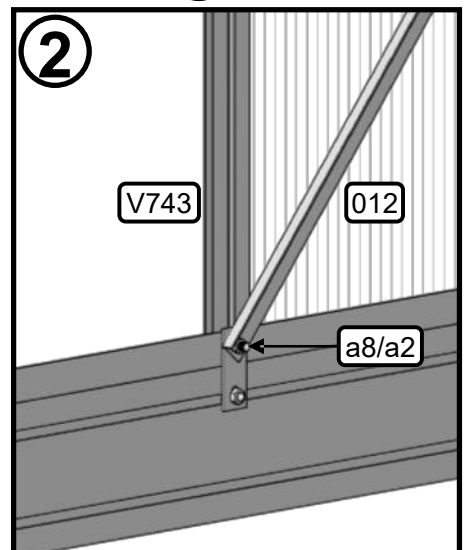
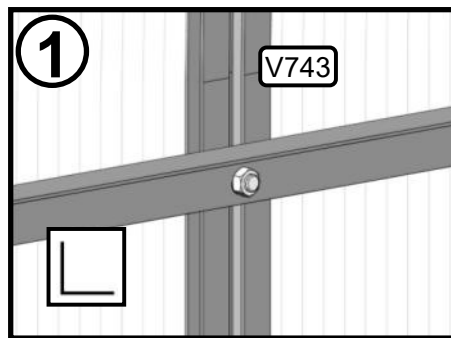
Separate curved glazing bar #V743 a little from bottom, and make an angle and then insert PC panel into alu. Frame channel.



Adjust depth of PC panel in cross bar channel



Square No.1 From bottom to top, you could squeeze polycarbonate panel both edges into alu. Profile's channel gradually. Please use bolt and nut to tighten the glazing bar #V743 with hanging basket bar or horizontal rail in time once it's in position.



Square No.2 On the bottom, Use Bolt #a8 (M6x15) to attach glazing bar #V743 with bracing bar #012 and side sill beam together, and fix them on base by base connector.

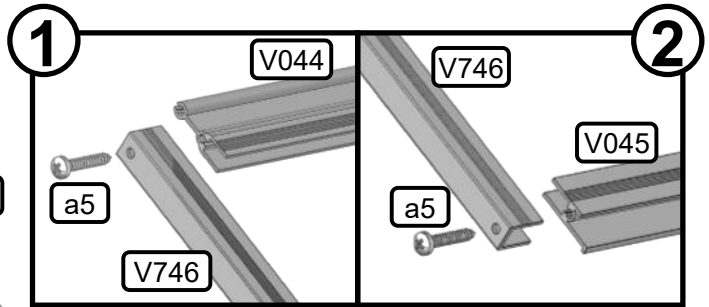
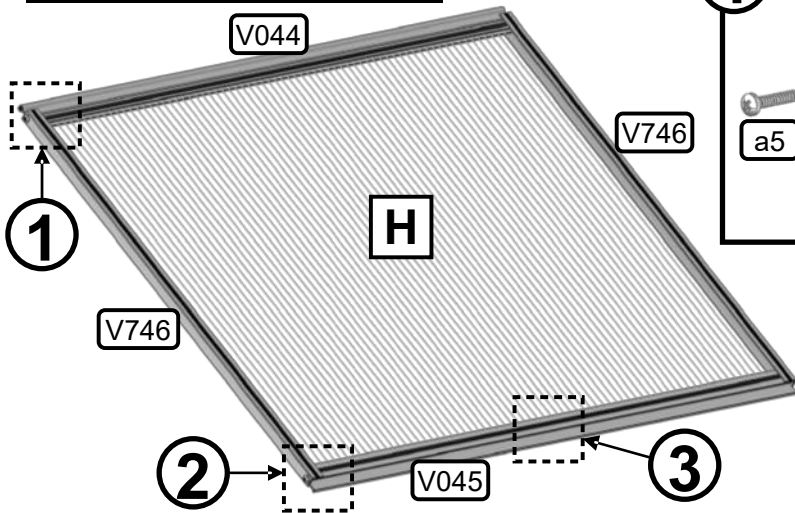
Step 5 Vent

Before finishing glazing bars and PC panels assembly. We should assemble windows in place first.

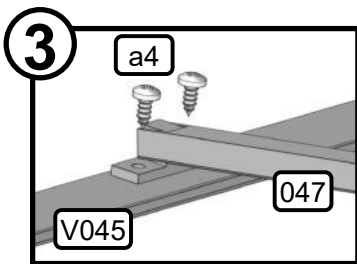
Package No.4

Part No.	V042	V044	V045	V746	047	048	m3	a1	a2	a4	a5	p3
Size	683 2'2 ⁷ / ₈ "	698 2'3 ¹ / ₂ "	698 2'3 ¹ / ₂ "	525 1'8 ¹¹ / ₁₆ "	300 11 ¹³ / ₁₆ "	200 7 ⁷ / ₈ "	-	M6x10	M6	Φ4.2x9.5	Φ3.5x19	-
Qty	1	1	1	2	1	1	2	6	6	4	4	2

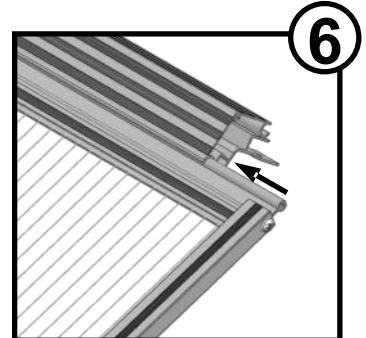
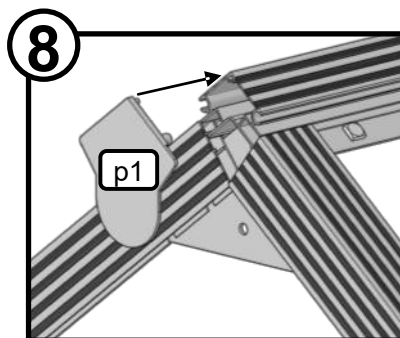
	Spirit
Vent No.	4



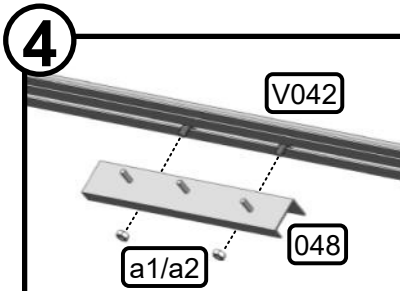
Square No.1 & No.2 When assembling the vent using screw #a5, it is essential to use a lubricant on the screws. A power screwdriver here is almost too much force, as it is easy to strip the heads. If possible turn the screws in by hand.



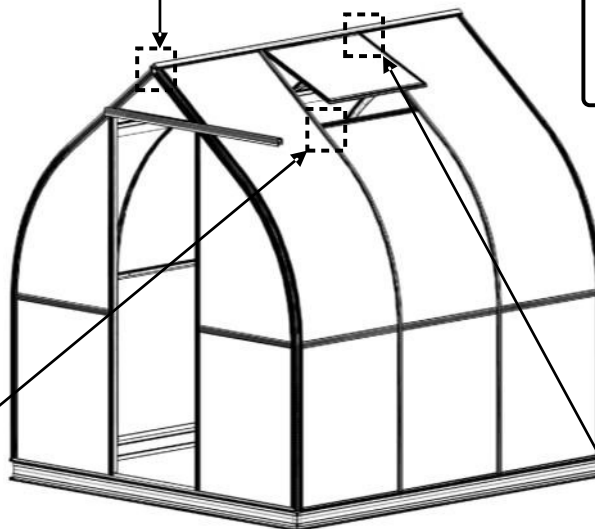
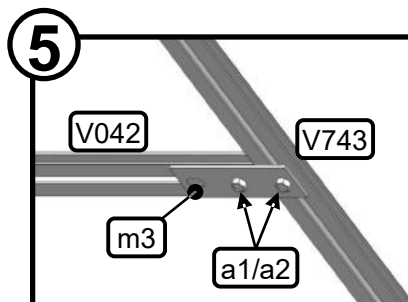
Square No.3 The push rod should be mounted so the handle extends up.



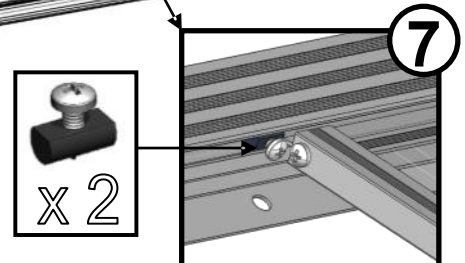
Square No.6 The completed vent slide into the ridgepole which act as a self-hinge.



Square No.4 When mounting part #048 onto part #V042, the left post should be directly in line with the center of the vent.



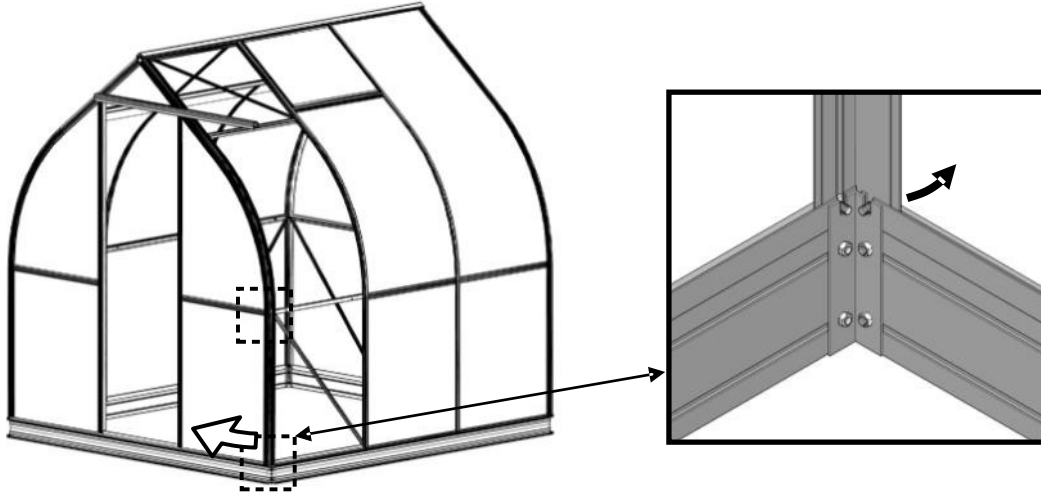
Square No.7 Part #p3 is plastic barrel shaped piece that is used on either side of the vent to keep it from moving side to side. The screw #a4 will expand the plastic and hold it firm.



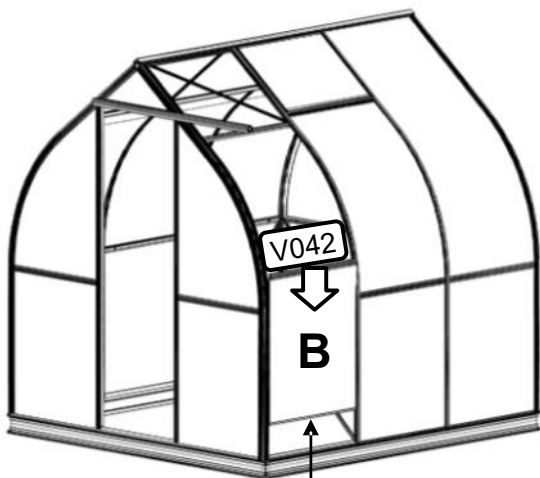
Step 6

For the last polycarbonate panel assembly

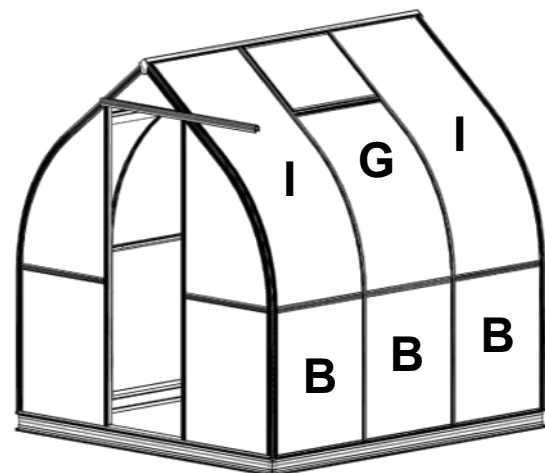
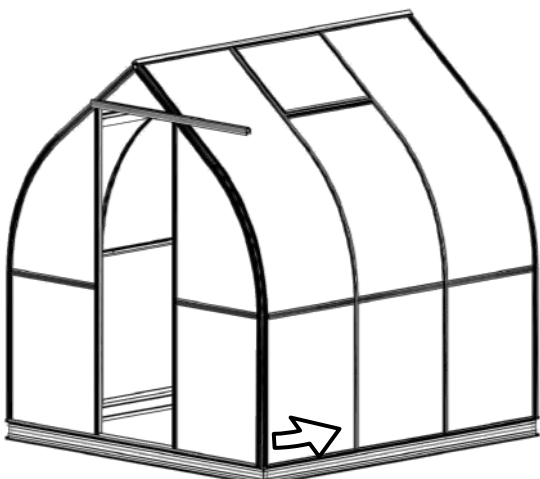
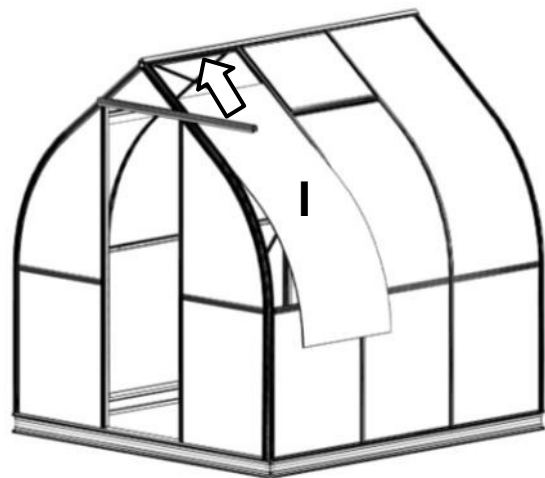
1. At first, You should dismantle the curved corner bar, by loosening the bolts attaching base, sill beam and horizontal rail bar (Don't loosen ridge top and hanging basket bar bolts and nuts). And separate curved corner bar a little from bottom, and make an angle with glazing bar (Like a trapezoid with right angle).
2. Put on cross bar #V042 on top of PC panel #B, and PVC anti-dust strip P7 on bottom of PC panel #B firstly. Then assemble them on horizontal rail together.
3. Then insert polycarbonate panel #I between curved corner bar and curved glazing bar.
4. Finally, push them together, and tighten all the bolts and nuts which loosened before.
5. Repeat this on the opposite side.



Loosen the bolts and separate from bottom at an angle



PC panel bottom with PVC anti-dust strip P7

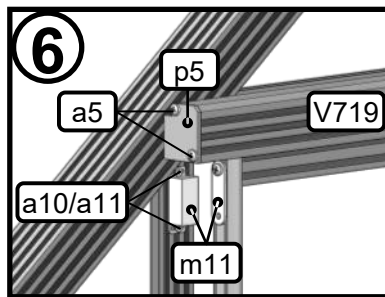
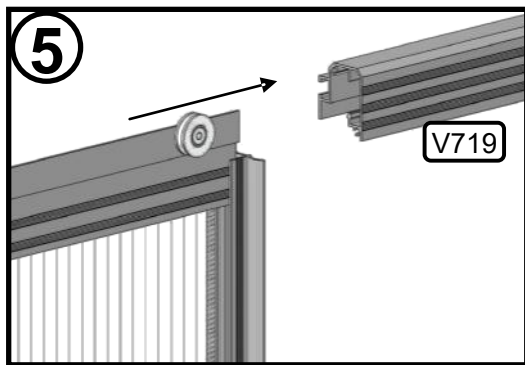
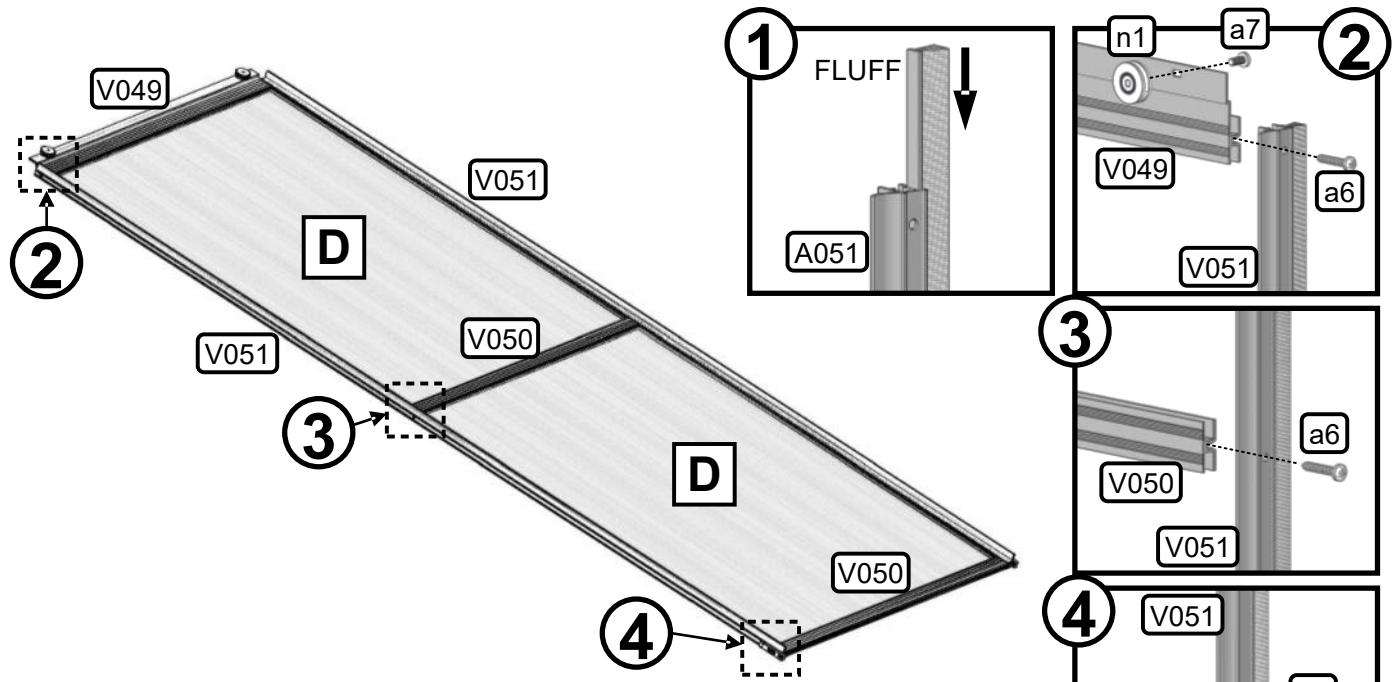


Step 8

Door

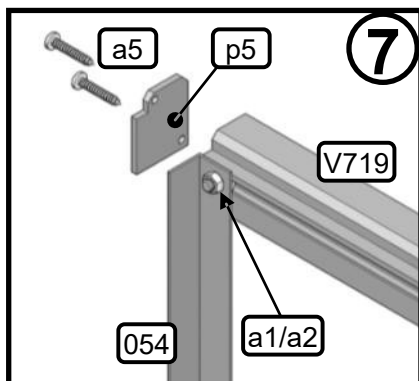
Package No.5

Part No.	V049	V050	V051	054	a1	a2	a5	a6	a7	a8	a10	a11	p4	p5	m11	m6	n1	FLUFF
Size	586 1'11 1/16"	586 1'11 1/16"	1864 6'1 3/8"	558 1'9 15/16"	M6x10	M6	Φ3.5x19	Φ3.5x35	Φ4x8	M6x15	Φ3x10	M3	-	-	-	-	-	-
Qty	1	2	2	1	2	3	4	6	2	1	2	2	2	2	1	1	2	3.8m

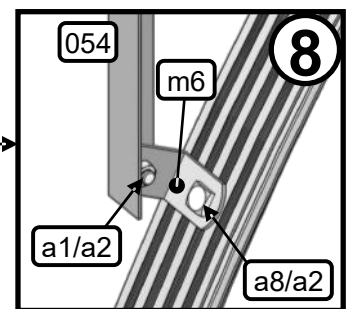
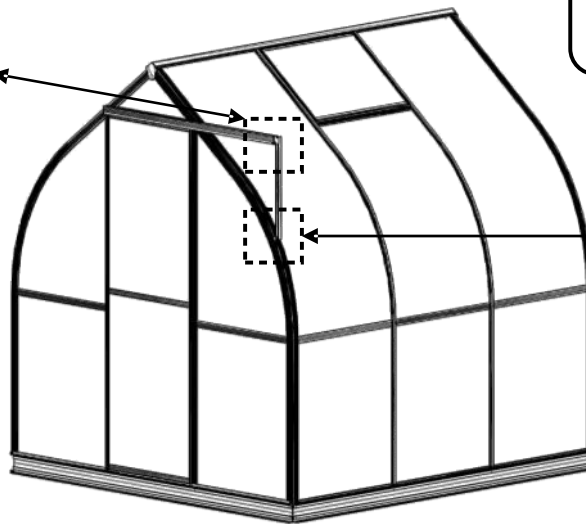


Square No.6 Part #p5 is a stop so the door will not drop out the end of part #V719.

Square No.1 & No.2 & No.3 & No.4 When assembling the door, use the same lubricant for the screws. Do not forget the plastic door glides for bottom when assembling the door. It should be adjusted to suitable extended length before and after the door assembly. The roller #n1 was fixed on the part #V049 with a7 screw.



Square No.7 Part #054 is a vertical post used at the end of part #V719 to keep it level. Loosen #a3 to adjust the #V719 in suitable place in order to keep door sliding space.



Packing List

	Description	Spirit
1	Rear Gable	1
2	Front Gable	1
3	Roof/side wall	1
4	Window	4
5	Door	1
6	Curved front corner bar	2
7	Curved rear corner bar	2
8	Curved glazing bar	8
9	Polycarbonate panels	1
10	Tools	1
11	Assembly Instruction	1

Contact Information:

MODULAR ORGANICS LLC
EMAIL: sales@climapod.com
Phone:360.674.2642