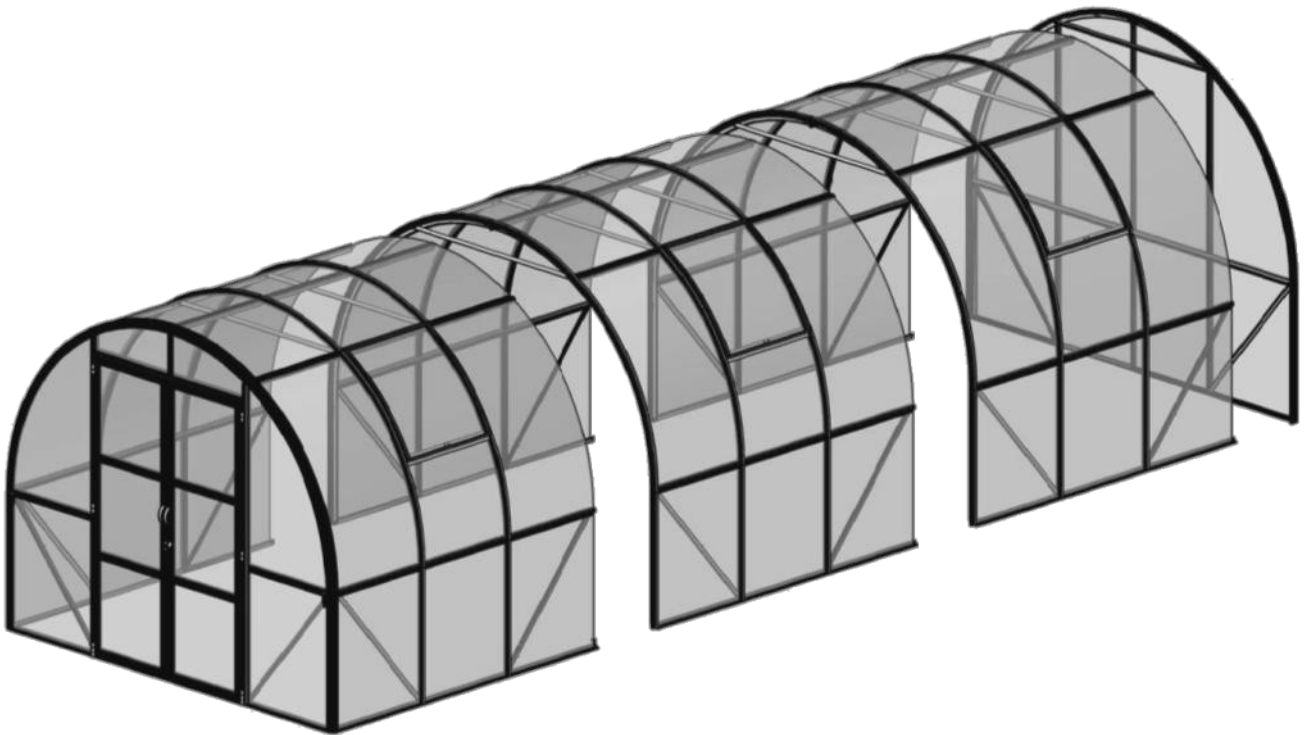




**CLIMA
ORB**

CLIMAORB Greenhouse

ASSEMBLY INSTRUCTIONS



**TO BE USED IN CONJUNCTION WITH
CLIMAORB O9 SERIES GREENHOUSE**

Contact Information:

MODULAR ORGANICS LLC

EMAIL: sales@climapod.com

Phone: 360-674-2642

Website: www.climapod.com

Statement

Dear Customer!

May we congratulate you on your new Greenhouse.
We feel sure that by following the detailed assembly instructions you will find as much pleasure in actually building the greenhouse as the time you will spend in your greenhouse in the future.

The assembly instructions mainly consist of detailed illustrations and no specific technical knowledge is required for the assembly of the greenhouse.

There are four packages for one set of Arched greenhouse totally.
The base is packed in one carton, no matter aluminum base or steel base.
The house frames are packed in two cartons, one for straight profiles and all of fittings, one for curved frames.
All the polycarbonate panels are packed in one carton.

All of the aluminum profiles are marked with a part number corresponding to the numbers given on the drawings and in the parts list. Nuts, bolts and fittings will be found in the relevant package.

All of the rear gable section straight frames are in package No.1
All of the front gable section straight frames are in package No.2
All of the roof/side wall section straight frames are in package No.3
All of the frames and components for the window are in package No.4
All of the frames and components for the door are in package No.5
The panels of Polycarbonate are not marked with a part number, but the sizes appear in the overview.
When fitting the Polycarbonate, the side with the opal film/text must turn outward.

Accessories

We offer a wide range of accessories which contribute to a better yield and make life easier for the gardener. A selection of the range is shown in the supplements to these instructions. Your dealer will be pleased to assist you with further information and a special brochure.

Winter Protection

In areas where snow might be expected we recommend the following in order to protect your greenhouse:

1. Support the ridge at the center of the greenhouse.
2. Removed larger snow loads.
3. Take precautions against snow falling down, for instance from a roof.

Complaints

We put severe demands on quality to secure that you get a faultless product. However, should a problem occur, we kindly ask you to contact the dealer from whom you have bought the greenhouse. For a quick service, you should specify the extent of the defect by means of the parts list in the assembly instructions. Please also note the model number which is marked on the front page of these instructions.

Guarantee

We grant a 10 year comprehensive guarantee which covers replacement or repairs of defective parts due to material or manufacturing defect. The guarantee does not cover polycarbonate, transport, erection. The guarantee is invalid if the greenhouse is not assembled according to these instructions.

Insurance

Not all insurance companies automatically cover greenhouses. We recommend you contact your insurance company to ensure that you are covered.

Statement

Foundation

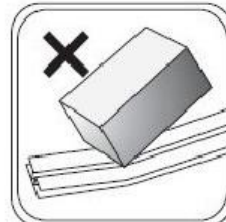
The base is not included in this delivery. However, we do recommend you buy our origin base easy to build.

The base is maintenance free and, of course all fittings are included. Remember to order concrete pipes and concrete at your local dealer as these are not included in the delivery.

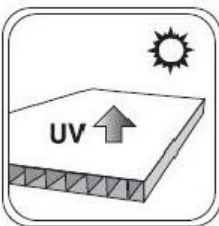
Cautions



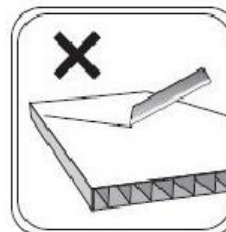
Remove approximately 2 inches of film from all sheet edges before installing. Remove all film immediately after the construction is completed.



Handle with care! Dropping can bend the frame, and it won't fit properly.



The UV-protected side of the sheet is covered with opal white film/text and must face towards the sun.



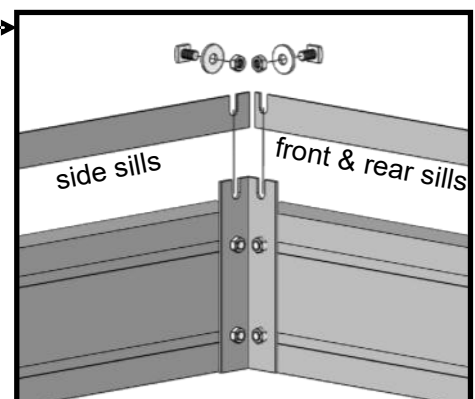
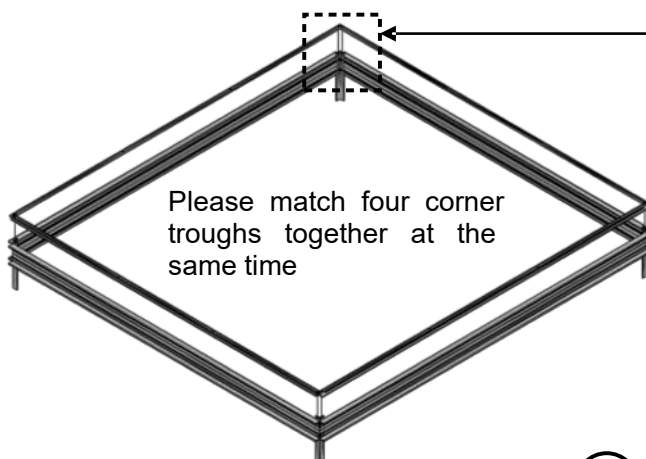
Keep sharp instruments away from the polycarbonate sheets.



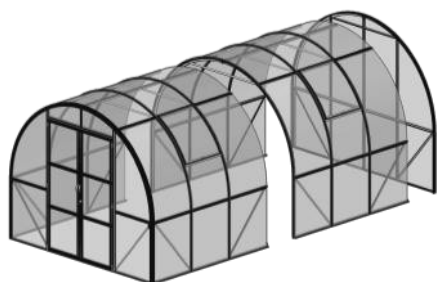
Please put on gloves avoid slitting your hands.

Tips

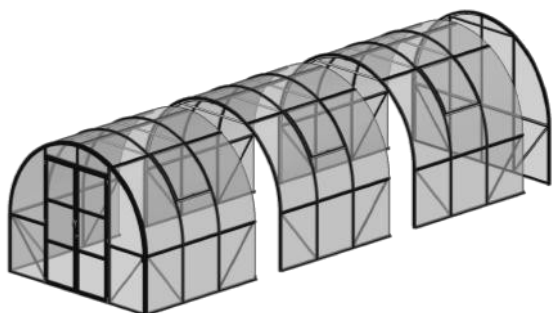
1. The base has to be fastened in a non-freezing depth(80cm).
2. The greenhouse is to be fastened to the base.
3. The base has to be 100% level and square. The easiest way to ensure this is to make sure that the two diagonal measurements are identical.
4. We recommend that you grease screws for doors and windows for easier assembly.
5. Erection of the greenhouse should only take place in calm and dry weather.
6. All frames are to be assembled around the polycarbonate as shown on the drawings. We recommend that you start with the back gable.
7. **IMPORTANT** Before assembling aluminum base, the end trough centers of four legs should match both end trough centers of side sills and front & rear sills at the same time.



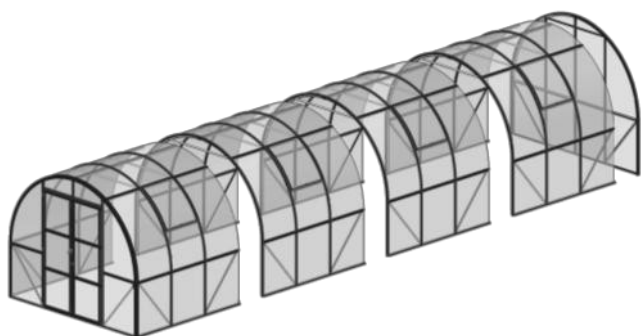
CLIMAORB Series



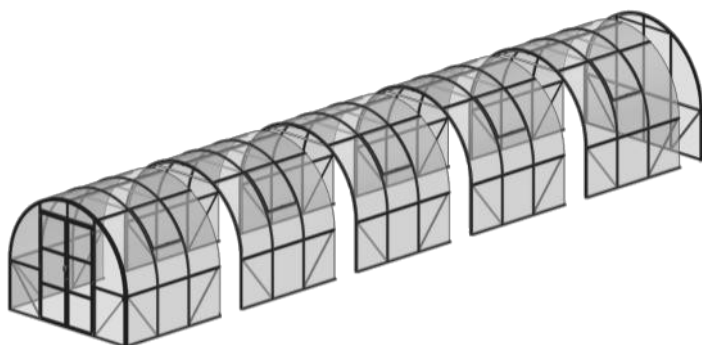
9x14 (O914) = one O907 Main set + one O9 7' Extension set



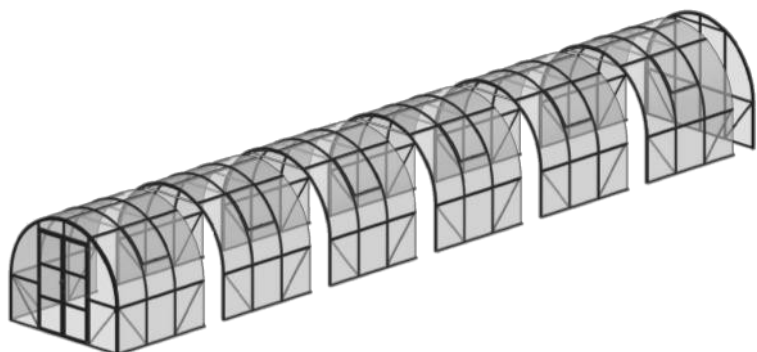
9x21 (O921) = one O907 Main set + two O9 7' Extension sets



9x28 (O928) = one O907 Main set + three O9 7' Extension sets



9x35 (O935) = one O907 Main set + four O9 7' Extension sets



9x42 (O942) = one O907 Main set + five O9 7' Extension sets

Climaorb 9x7(O907) Parts list

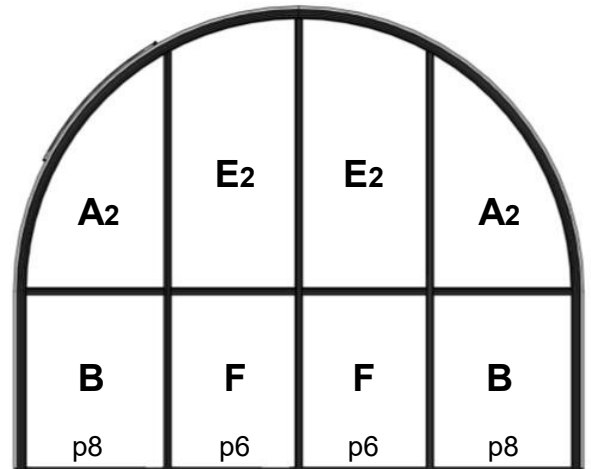
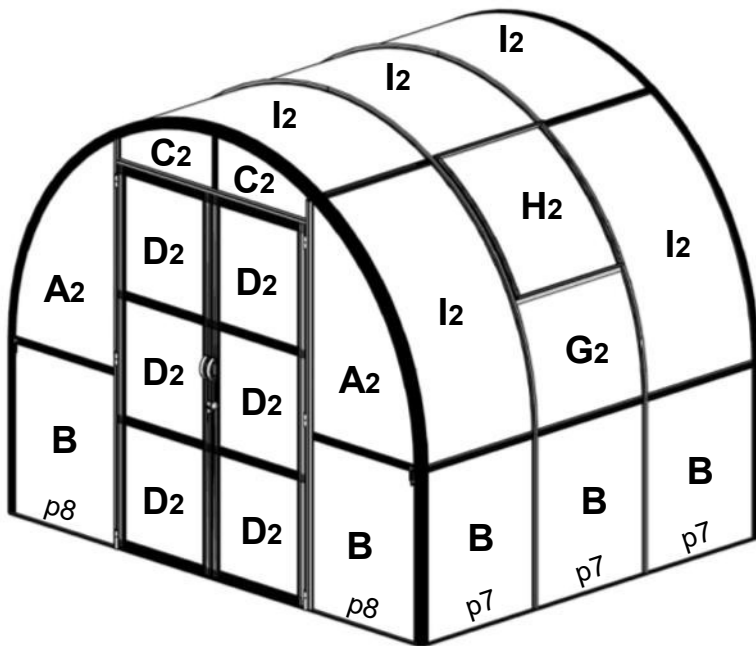
This list includes parts count for the main house 9' x 7' which includes parts for front and back gables. Please see page 29 for 9' x 7' extension set parts list.

Section	Part No.	Profile	Size	Climaorb O907	
R E A R	V201		2940 (9'7 ³ / ₄ "	1	
	V202		2940 (9'7 ³ / ₄ "	1	
	V207		2024 (6'7 ¹¹ / ₁₆ "	1	
	V208		2024 (6'7 ¹¹ / ₁₆ "	1	
	V209		2173 (7'1 ³⁵ / ₆₄ "	1	
	908		1268 (4'1 ⁵⁹ / ₆₄ "	1	
	V009		682 (2'2 ²⁷ / ₃₂ "	2	
	V010		594 (1'11 ²⁵ / ₆₄ "	2	
	911		2662 (8'8 ⁵¹ / ₆₄ "	1	
	012		1100 (3'7 ⁵ / ₁₆ "	2	
	V913		2662 (8'8 ⁵¹ / ₆₄ "	1	
	F R O N T	V201		2940 (9'7 ³ / ₄ "	1
		V202		2940 (9'7 ³ / ₄ "	1
		V203		2027 (6'7 ⁵¹ / ₆₄ "	1
		V204		2027 (6'7 ⁵¹ / ₆₄ "	1
V205			1268 (4'1 ⁵⁹ / ₆₄ "	1	
V206			280 (11 ¹ / ₃₂ "	1	
V009			682 (2'2 ²⁷ / ₃₂ "	2	
V916			2662 (8'8 ⁵¹ / ₆₄ "	1	
V229			707 (2'3 ⁵³ / ₆₄ "	2	
012			1100 (3'7 ⁵ / ₁₆ "	2	
R O O F / S I D E		V210		2163 (7'1 ⁵ / ₃₂ "	1
		V026		2176 (7'1 ⁴³ / ₆₄ "	2
	036		2163 (7'1 ⁵ / ₃₂ "	4	
	V215		2934 (9'7 ³³ / ₆₄ "	4	
	012		1100 (3'7 ⁵ / ₁₆ "	4	
	V042		683 (2'2 ⁵⁷ / ₆₄ "	10	
	V222		710 (2'3 ⁶¹ / ₆₄ "	2	
	V227		1346 (4'4 ⁶³ / ₆₄ "	2	
	D O O R	V219		1855 (6'1 ¹ / ₃₂ "	2
V220			1855 (6'1 ¹ / ₃₂ "	1	
V221			1855 (6'1 ¹ / ₃₂ "	1	
V216			603 (1'11 ⁴⁷ / ₆₄ "	4	
V218			603 (1'11 ⁴⁷ / ₆₄ "	4	

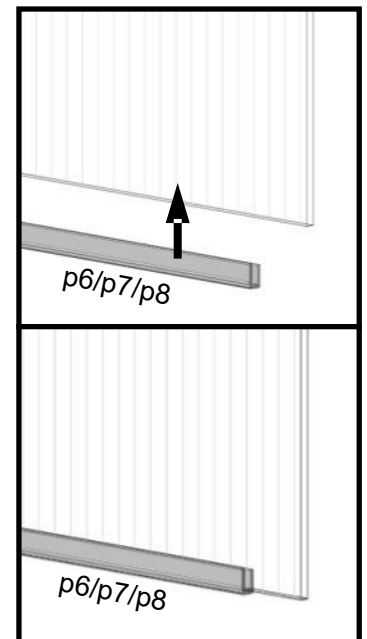
Section	Part No.	Profile	Size	Climaorb O907
V E N T	V223		685 (2'2 ³¹ / ₃₂ "	2
	V224		685 (2'2 ³¹ / ₃₂ "	2
	V225		750 (2'5 ¹⁷ / ₃₂ "	4
	V042		683 (2'2 ⁵⁷ / ₆₄ "	2
	047		300 (11 ¹³ / ₁₆ "	2
	048		200 (7 ⁷ / ₈ "	2

a1		M6x10	104
a2		M6	142
a4		Φ4.2x9.5	4
a5		Φ3.5x19	32
a8		M6x15	16
a9		M6x15 Crop	4
a19		M6x8	18
a28		M4x16	4
a29		M4	4
a30		M4x10	4
a31		M4	6
a32		M4x20	2
m3		-	4
m24		-	4
m30		-	2
m31		-	2
h4		-	4
h5		-	2
h6		-	6
h7		-	6
s5		-	2
p3		-	4
384		-	2
		563 (1'10 ¹¹ / ₆₄ "	12
Rubber		-	8.7M
FLUF F1		-	3.2M
FLUF F2		-	2.4M

Polycarbonate sheet



#	Size	Climaorb O907
A2	700x1167(2'3 ⁹ / ₁₆ " x 3'9 ¹⁵ / ₁₆ ")	4
B	700x842(2'3 ⁹ / ₁₆ " x 2'9 ⁵ / ₃₂ ")	10
C2	610x295(2'1 ¹ / ₆₄ " x 11 ³⁹ / ₆₄ ")	2
D2	540x577(1'9 ¹⁷ / ₆₄ " x 1'10 ²³ / ₃₂ ")	6
E2	610x1327(2'1 ¹ / ₆₄ " x 4'4 ¹ / ₄ ")	2
F	610x842(2'1 ¹ / ₆₄ " x 2'9 ⁵ / ₃₂ ")	2
G2	700x610(2'3 ⁹ / ₁₆ " x 2'1 ¹ / ₆₄ ")	2
H2	652x750(2'1 ⁴³ / ₆₄ " x 2'5 ¹⁷ / ₃₂ ")	2
I2	700x1382(2'3 ⁹ / ₁₆ " x 4'6 ¹³ / ₃₂ ")	7
p6	592(1'11 ⁵ / ₁₆ ")	2
p7	682(2'2 ²⁷ / ₃₂ ")	6
p8	660(2'1 ⁶³ / ₆₄ ")	4











This page shows the positioning of the polycarbonate panels for the front and rear gable as well as the roof and the sides. It also indicates where the parts #P6, #P7 and #P8 are used.

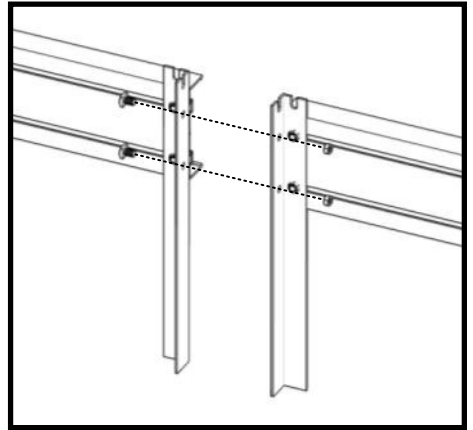
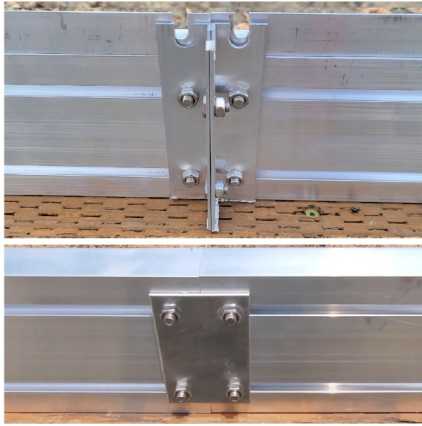
When fitting parts #P6/P7/P8 on the ends of the panels, try using a narrow piece of bar soap through the part first. It will allow it to slide on much easier. #P6/P7/P8 must be fitted on one end of polycarbonate in advance before polycarbonate be inserted into aluminum frame.

The square illustration on the page shows the placement of the gray plastic U shape strips. To transfer the size of the panels from mm to inches, divide by 25.4.

Step 1

Aluminum Base

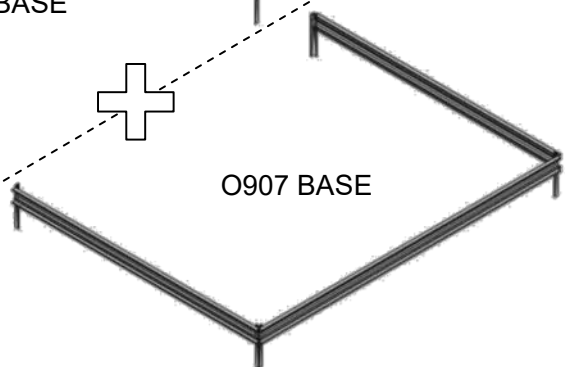
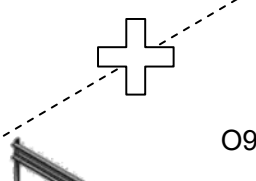
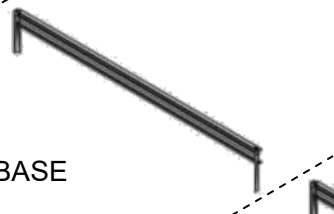
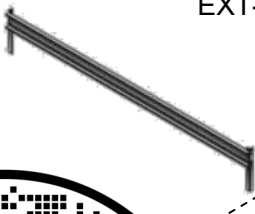
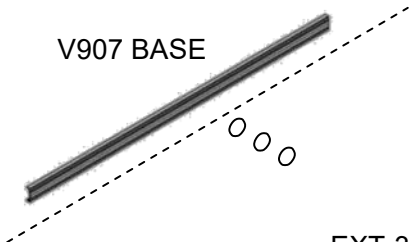
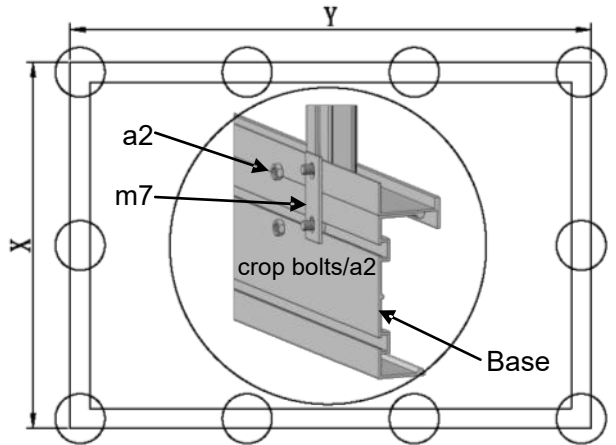
Model	Gable profiles	Side profiles	Anchor leg	Fixing tab	Bolts/nuts		Crop bolts	Washer
								
O907	2x2664(8'8 ⁷ / ₈ ")	2x2174(7'1 ⁹ / ₁₆ ")	4	9	16	25	9	8
EXT-3	-	2x2148(7'9 ⁹ / ₁₆ ")	4	4	16	20	4	8



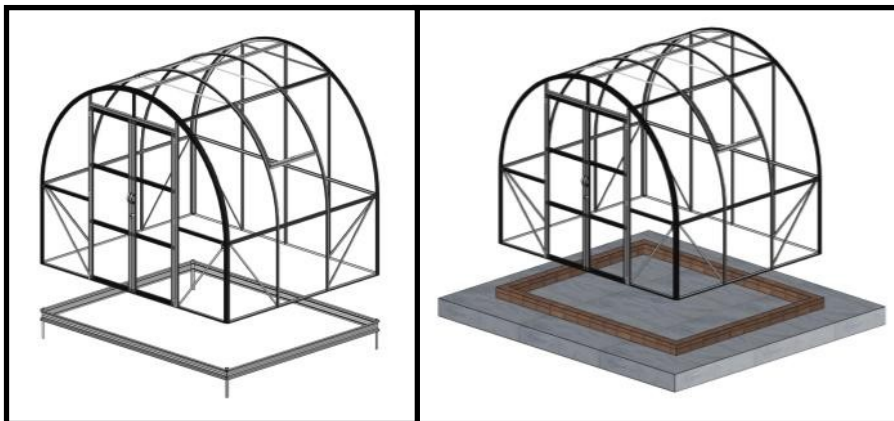
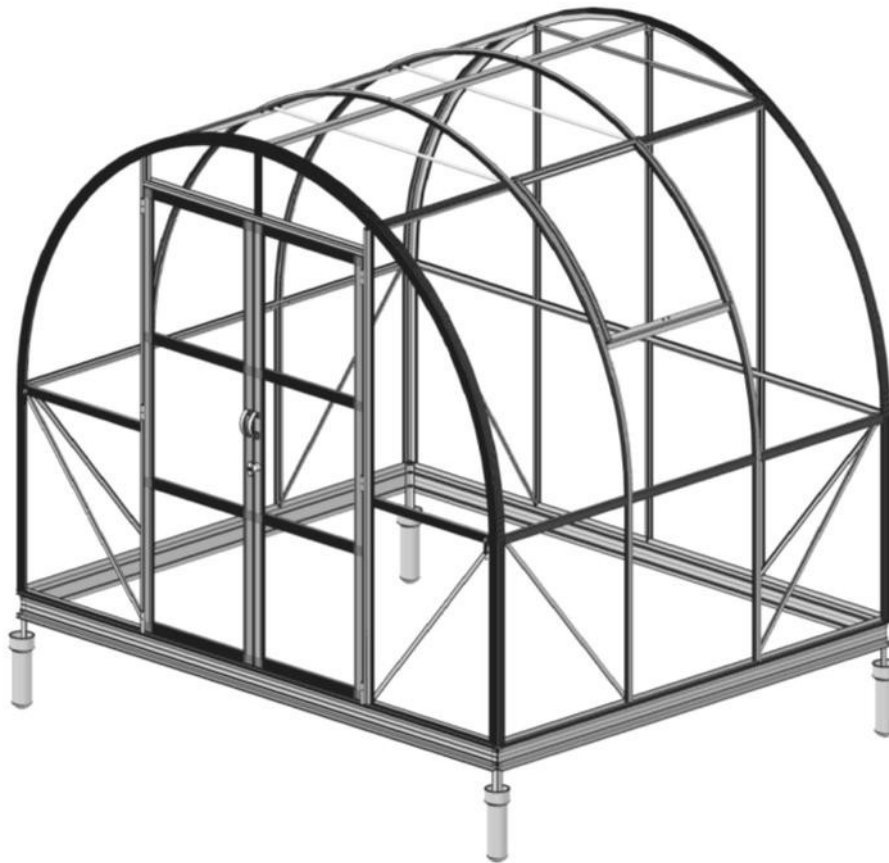
Note:

For 7' main house (9x7), 16 pcs square bolts and nuts used for 4 legs, you need to insert into base channel in advance. 9 pcs cropped head bolts and nuts used for base fixing connector #m7. (no need to insert in advance)

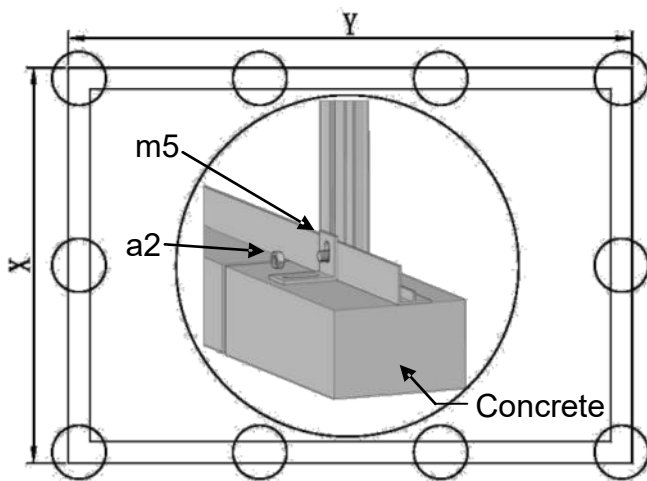
For each 7' Extension set that would build the size you ordered, 16 pcs square bolts and nuts used for 4 legs, you need to insert into base channel in advance. 4 pcs cropped head bolts and nuts used for base fixing connector #m7. (no need to insert in advance)




Base



Assembly without base (on concrete slab or wooden deck)



	
#	m5
O907	13
EXT-3	6

Part No. m5 shows a bracket used to secure the inside base when not using the original supplier's foundation.

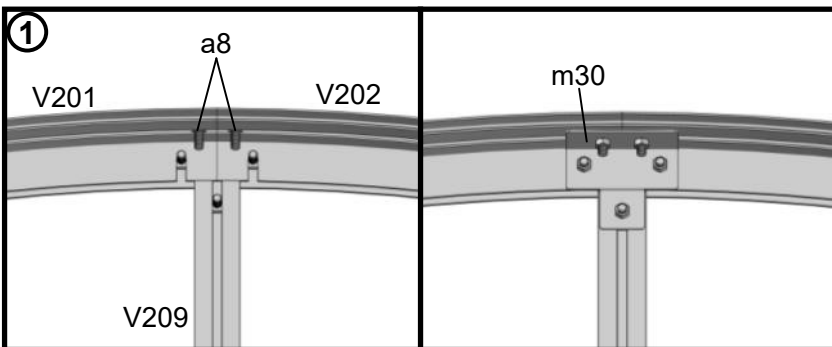
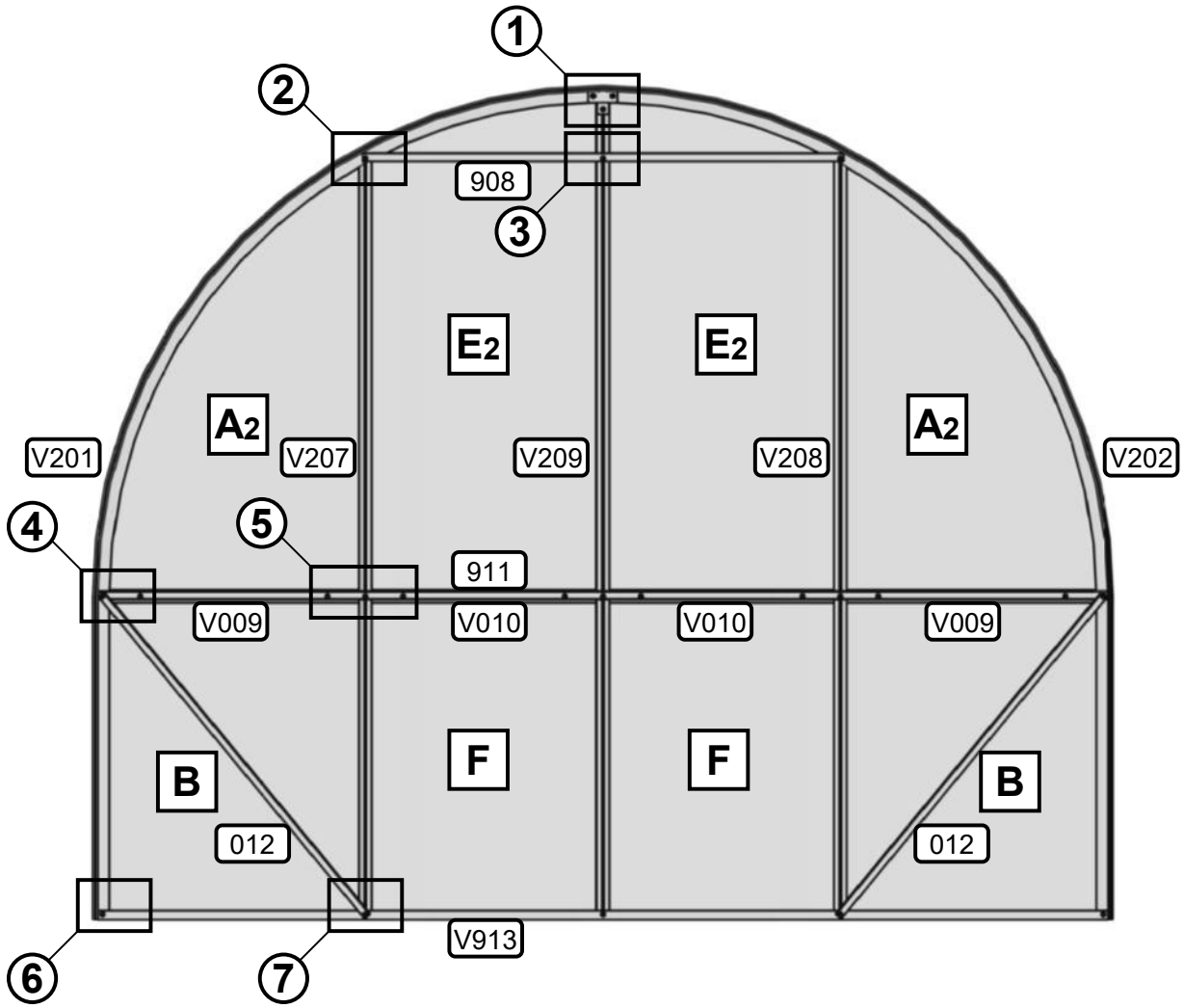
Prior to the assembly of the greenhouse, you should have a 10 mm nut driver, 10 mm open-end wrench, Philips head and slotted screw driver, level, and WD-40 lubricant.

Step 2

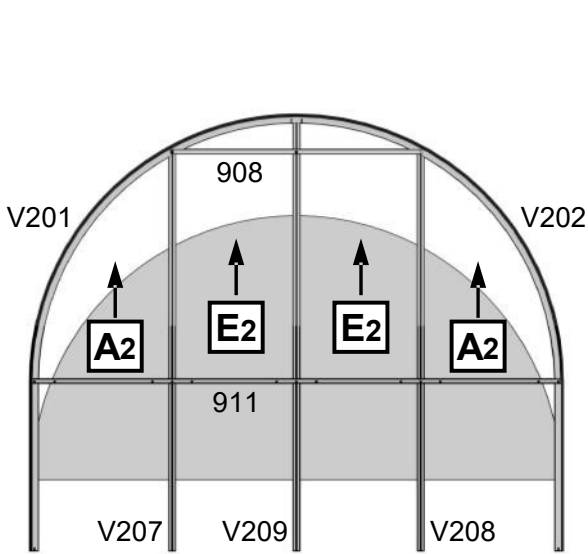
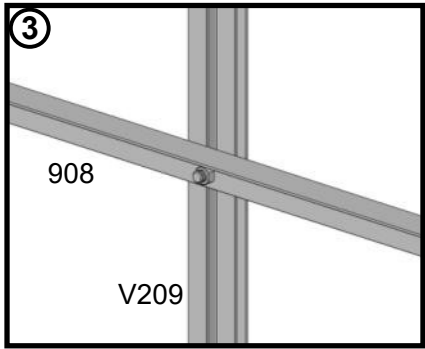
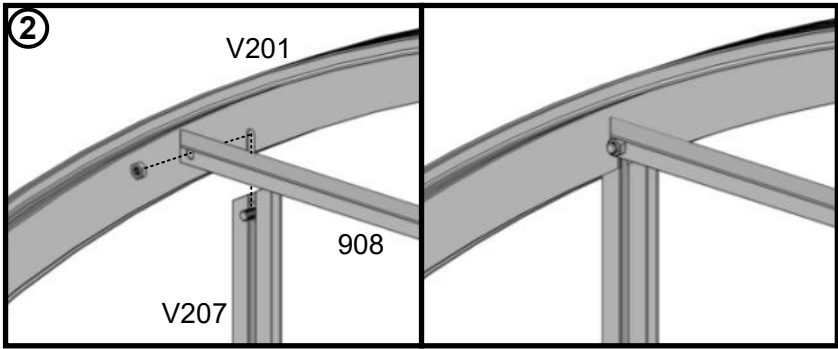
Rear Gable

Package No.1

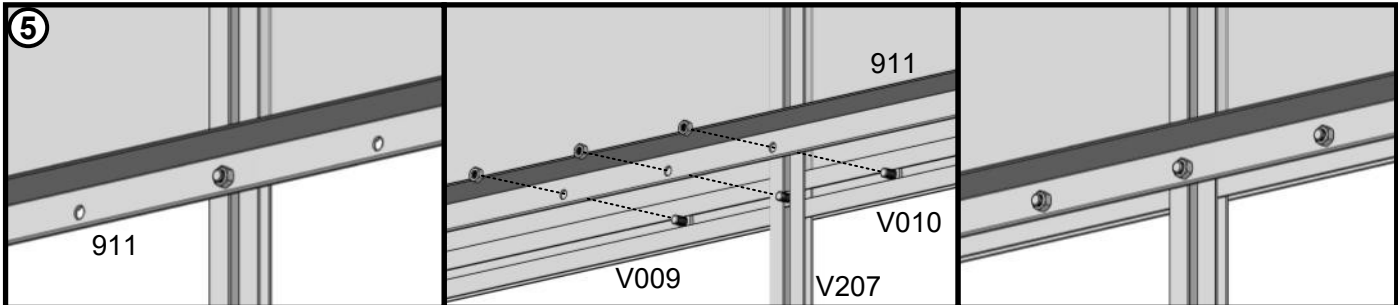
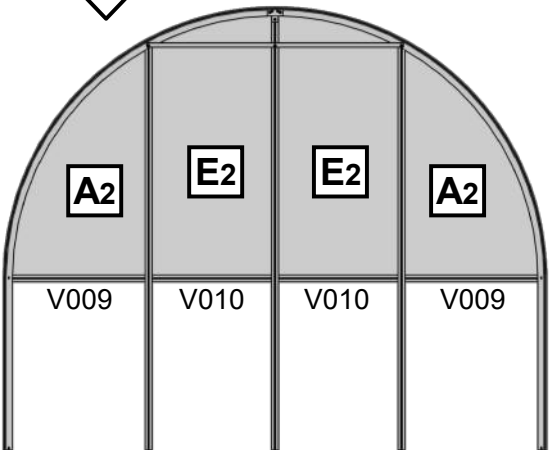
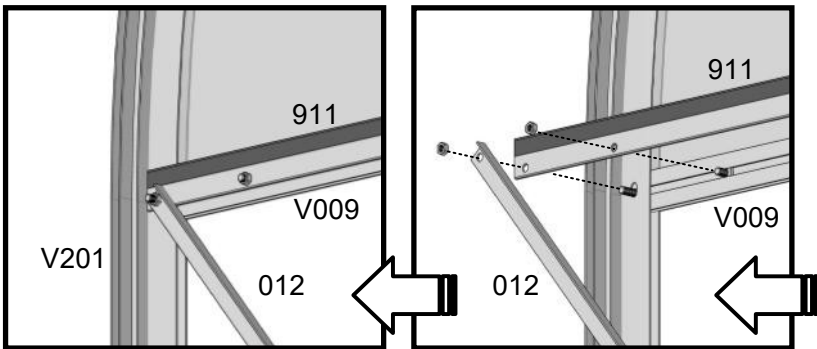
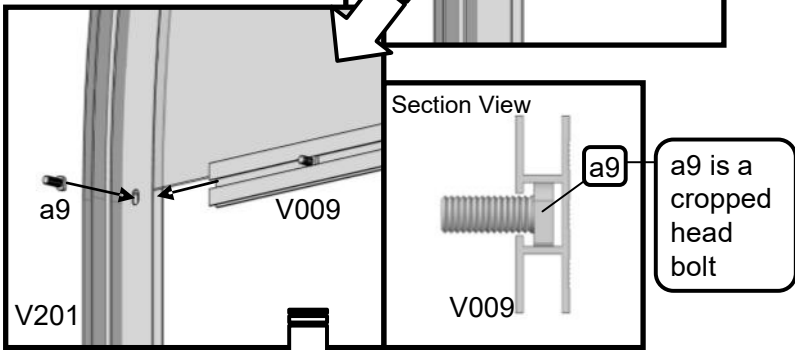
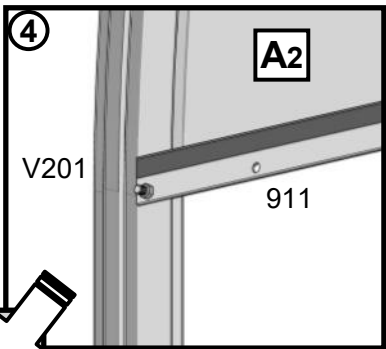
#	V201	V202	V207	V208	V209	908	V009	V010	911	012	V913	m30	a1	a2	a8	a9
Size	2940 <i>9'7³/₄"</i>	2940 <i>9'7³/₄"</i>	2024 <i>6'7¹¹/₁₆"</i>	2024 <i>6'7¹¹/₁₆"</i>	2173 <i>7'1³⁵/₆₄"</i>	1268 <i>4'1⁵⁹/₆₄"</i>	682 <i>2'2²⁷/₃₂"</i>	594 <i>1'11²⁵/₆₄"</i>	2662 <i>8'8⁵¹/₆₄"</i>	1100 <i>3'7⁵/₁₆"</i>	2662 <i>8'8⁵¹/₆₄"</i>	-	M6x10	M6	M6x15	M6x15
Qty	1	1	1	1	1	1	2	2	1	2	1	1	22	26	2	2



Rear Gable

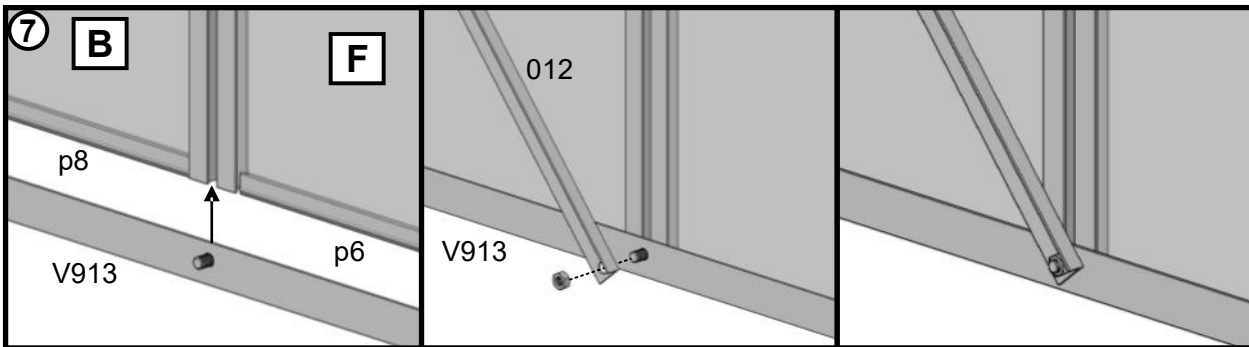
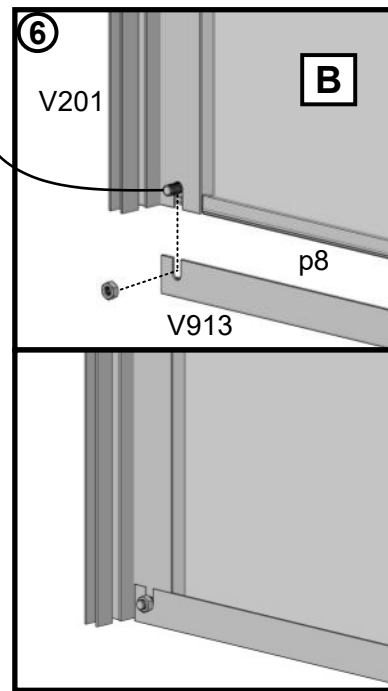
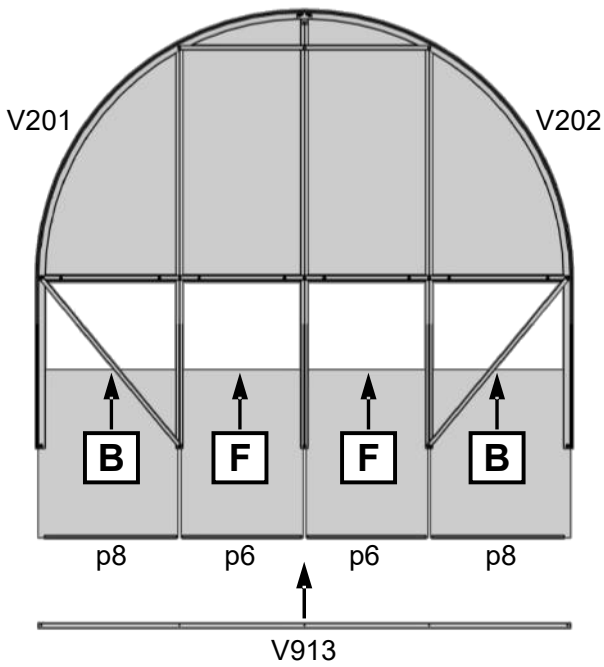


Square No.4 After PC panels in position, then dismantle part #911 and adjust the distance same between PC panel and keyway edge.



Rear Gable

Please Note: Don't let this bolt block polycarbonate panel to insert into part #V201&V202 alu. frame channel. Insert PC panel first, then slide this bolt in part #V201&V202 profile's trough.



Please note: 3 Bolts will need to be slid into each Part #V201 and #V202 for hanging basket bar or horizontal rail and side sill beam in advance, Finger tightens the nuts for later use. (Bolts and nuts in Package No.3 of Roof/Side wall)

When finished with the back gable, stand it up out of the wind so it will not blow over.

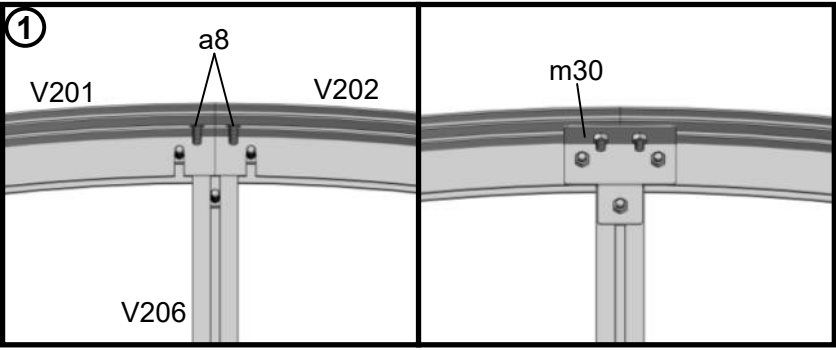
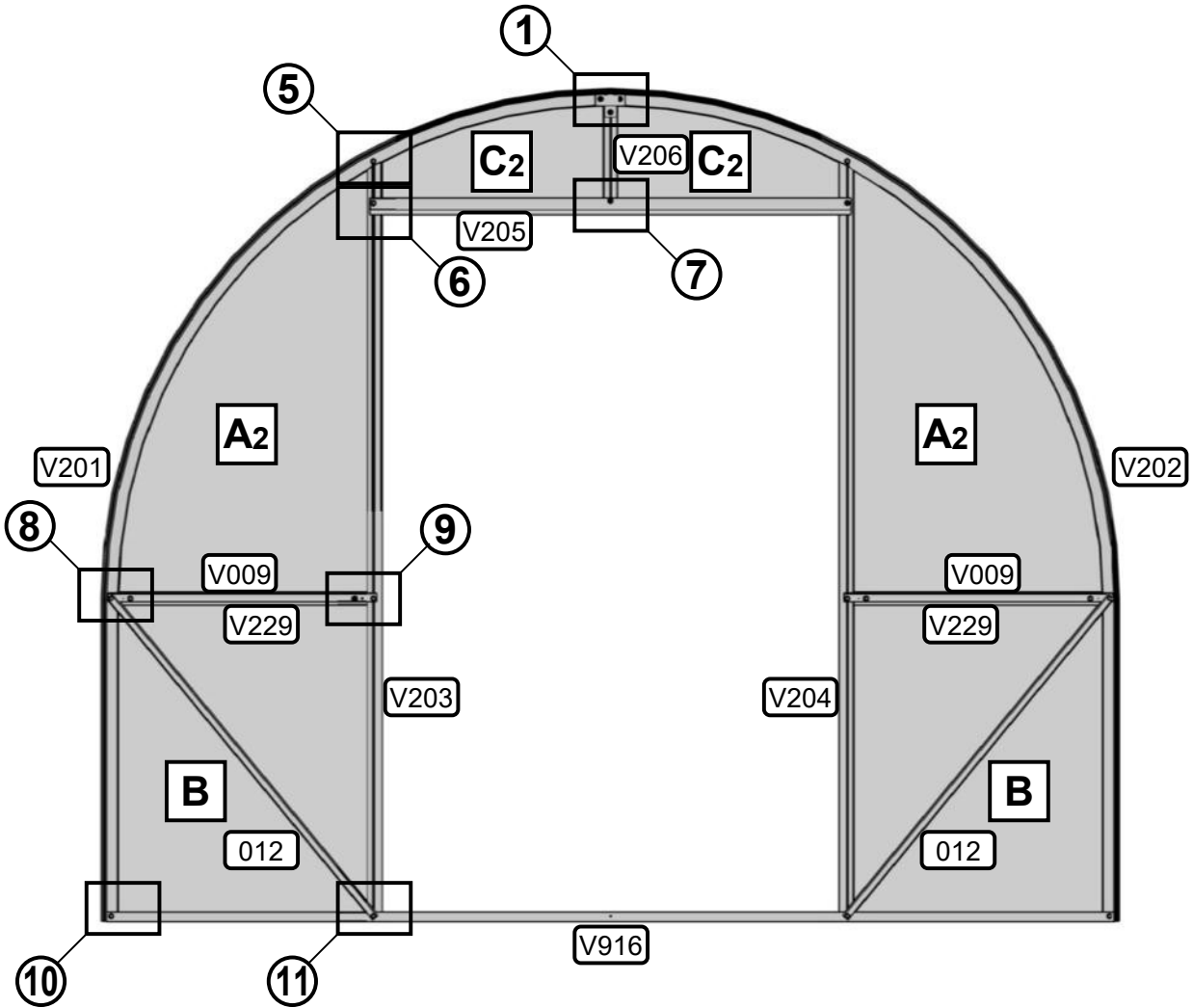
Step 3

Front Gable

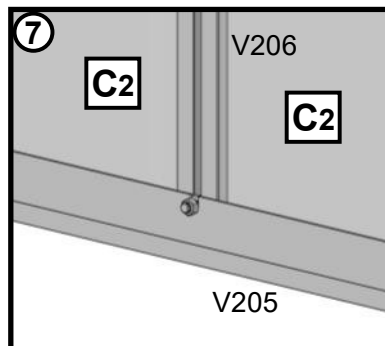
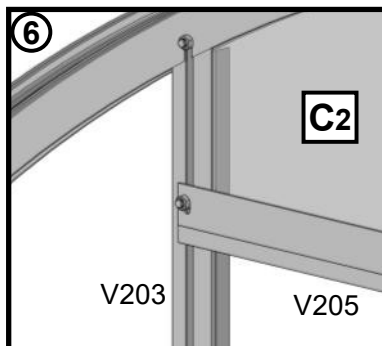
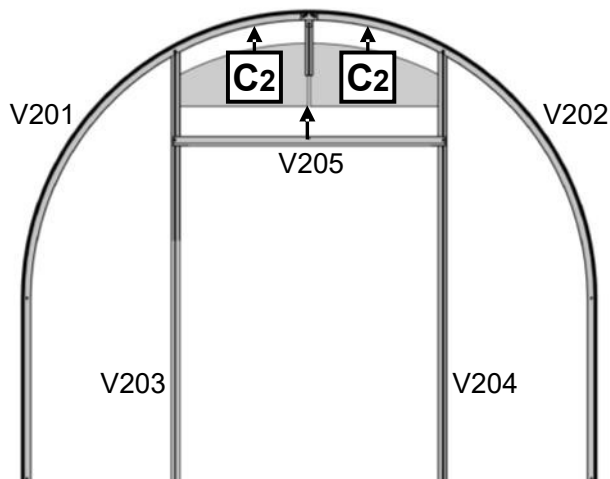
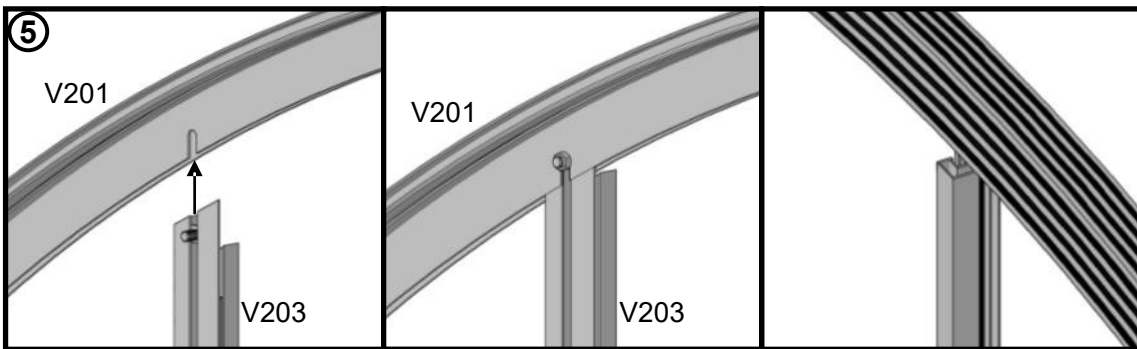
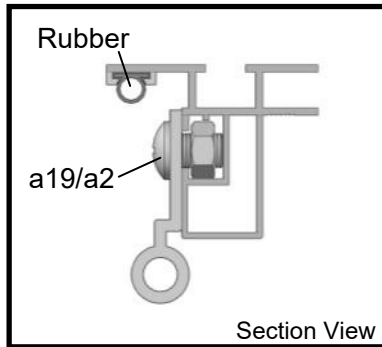
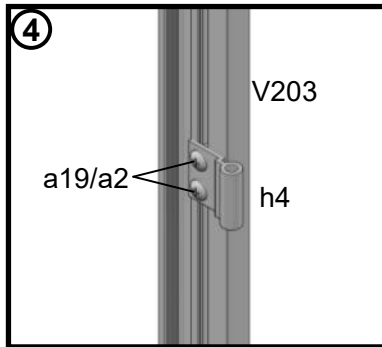
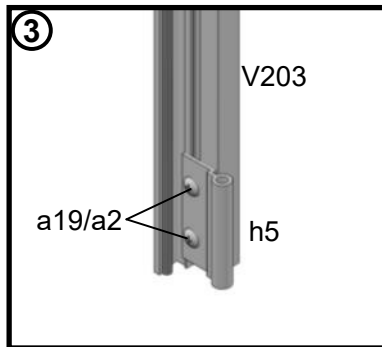
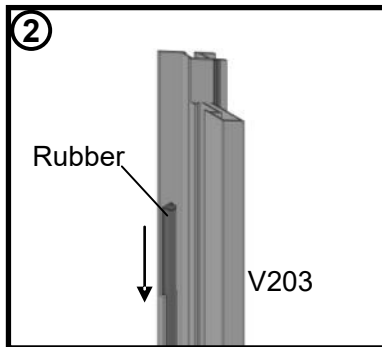
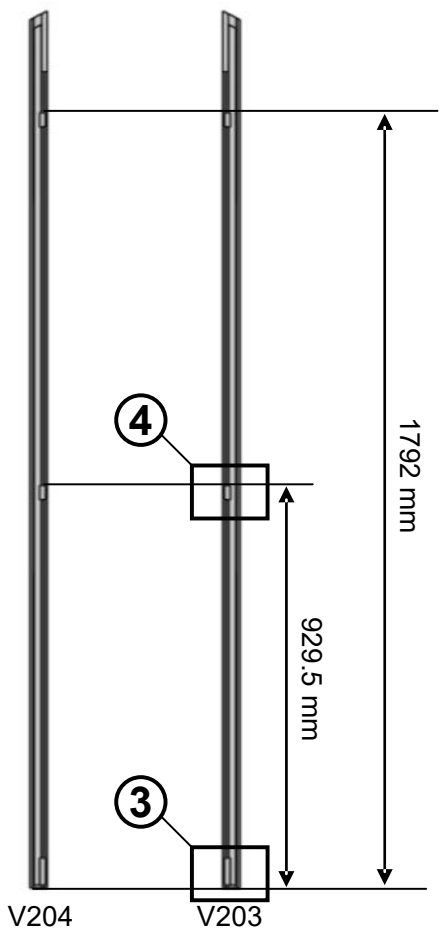
Package No.2

#	V201	V202	V203	V204	V205	V206	V009	V916	V229	012
Size	2940 9'7 ³ / ₄ "	2940 9'7 ³ / ₄ "	2027 6'7 ⁵ / ₁₆ "	2027 6'7 ⁵ / ₁₆ "	1268 4'1 ⁵⁹ / ₆₄ "	280 11 ¹ / ₃₂ "	682 2'2 ²⁷ / ₃₂ "	2662 8'8 ⁵ / ₁₆ "	707 2'3 ⁵ / ₁₆ "	1100 3'7 ⁵ / ₁₆ "
Qty	1	1	1	1	1	1	2	1	2	2

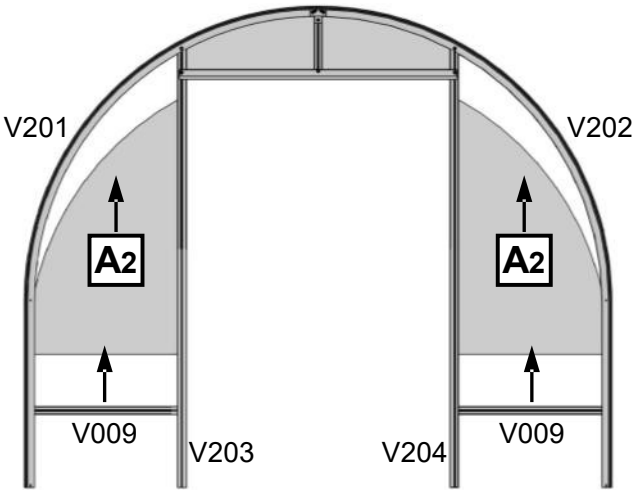
#	m30	h4	h5	a1	a2	a8	a9	a19	Rubber
Size	-	30	60	M6x10	M6	M6x15	M6x15	M6x8	4M
Qty	1	4	2	18	34	2	2	12	1



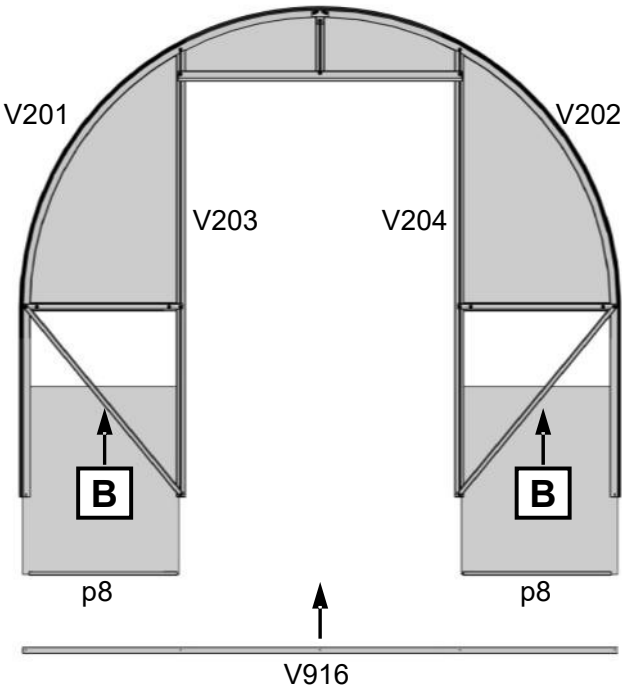
Front Gable



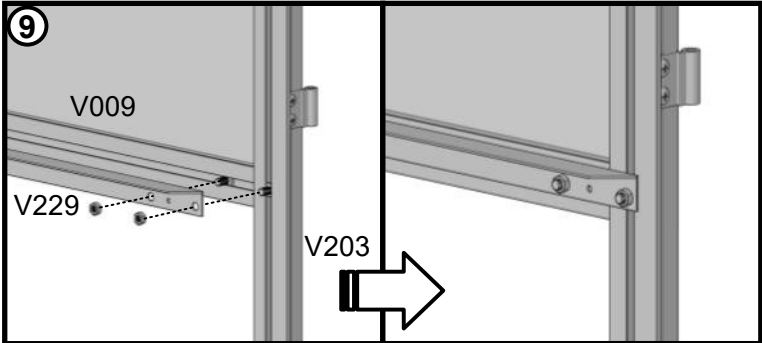
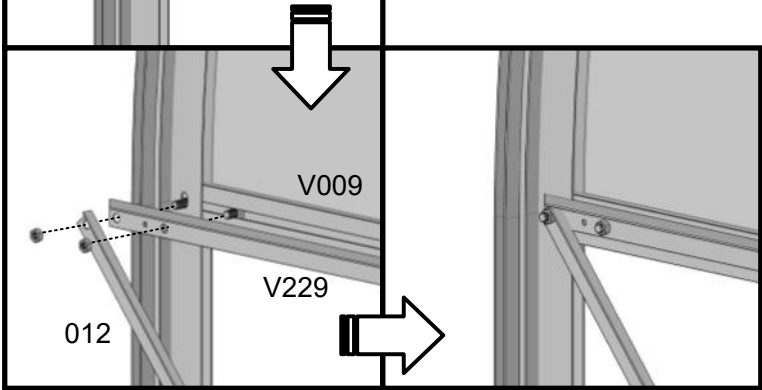
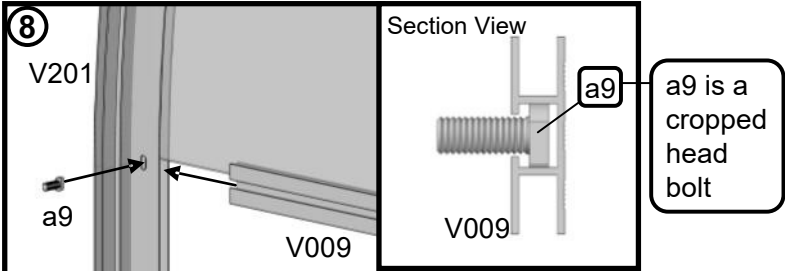
Front Gable



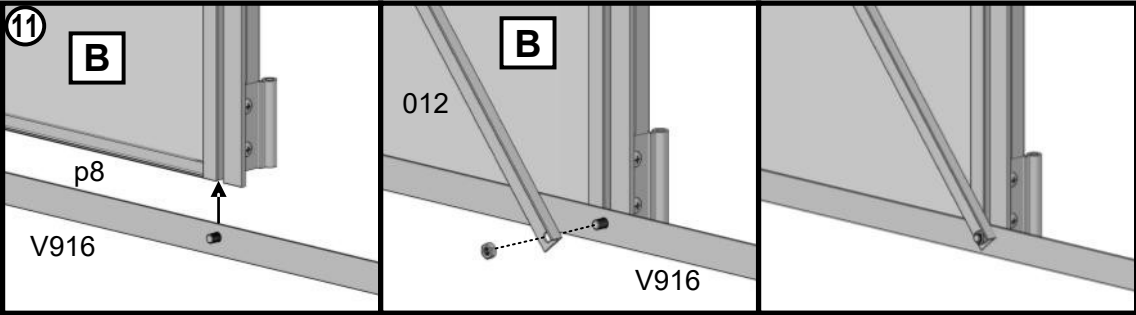
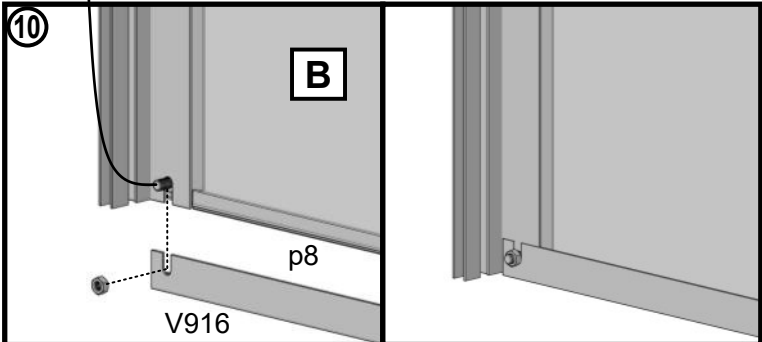
Square No.9 Use the part #V229 to connect the part #V009 & #V203.



Square No.8 After PC panels in position, then adjust the distance same between PC panel and keyway edge.



Please Note: Don't let this bolt block polycarbonate panel to insert into part #V201&V202 alu. frame channel. Insert PC panel first, then slide this bolt in part #V201&V202 profile's trough.








Square No. 10 Inserting PC panel #B in profiles' channel. With PVC anti-dust strip #p8 on bottom.

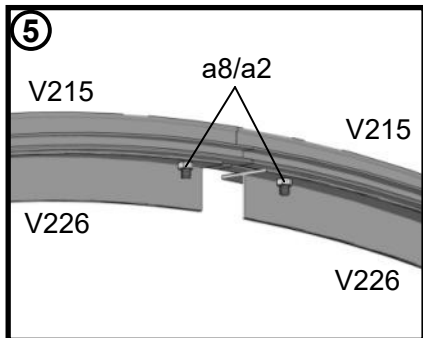
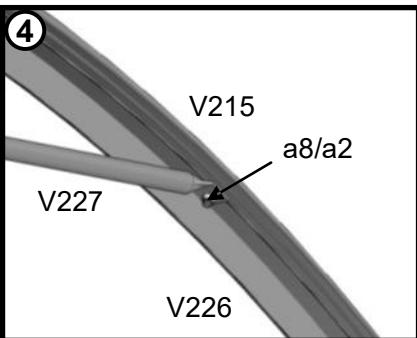
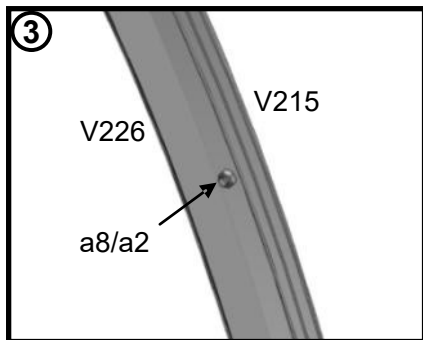
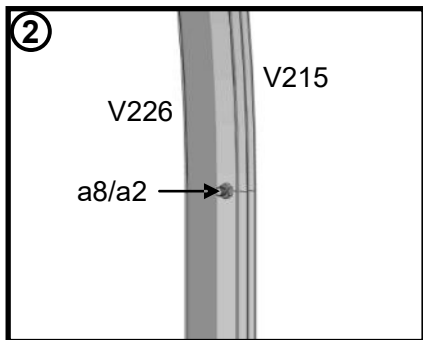
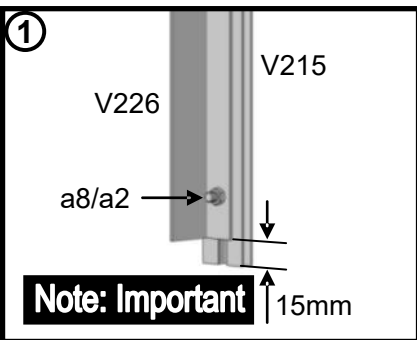
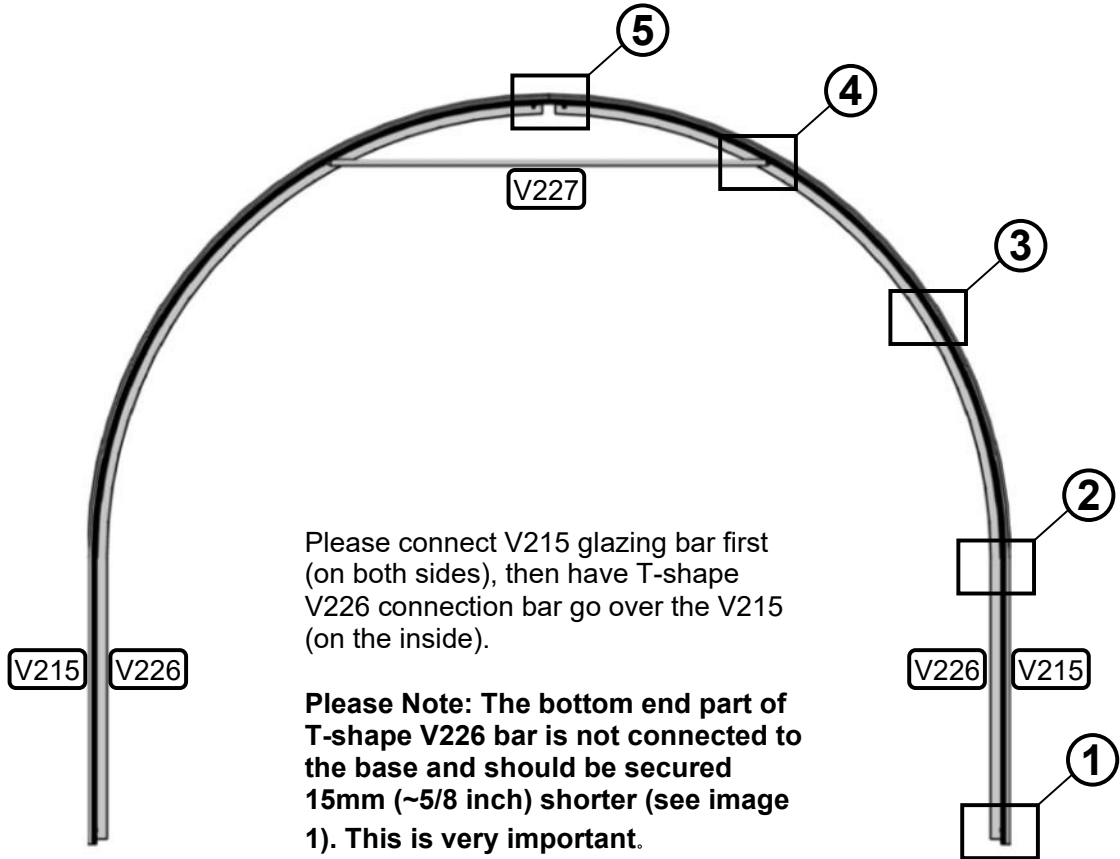
Square No.11 Connect Part #V916.

Please note: 3 Bolts will need to be slid into each Part #V201 and #V202 for hanging basket bar or horizontal rail and Side sill beam in advance, Finger tightens the nuts for later use. (Bolts and nuts in Package No.3 of Roof/Side wall)

Step 4

Climaomb 7' Extension (O9 EXT A-Frame)

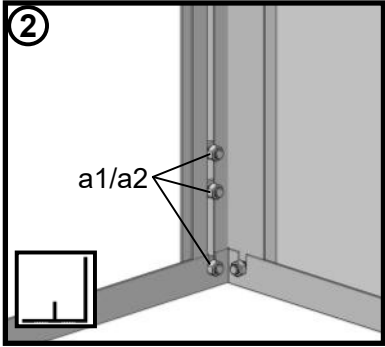
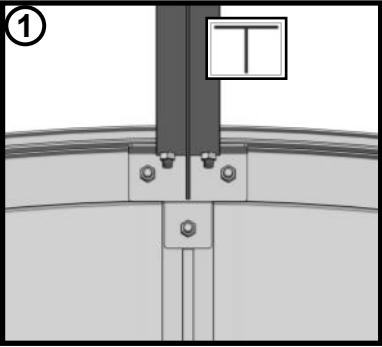
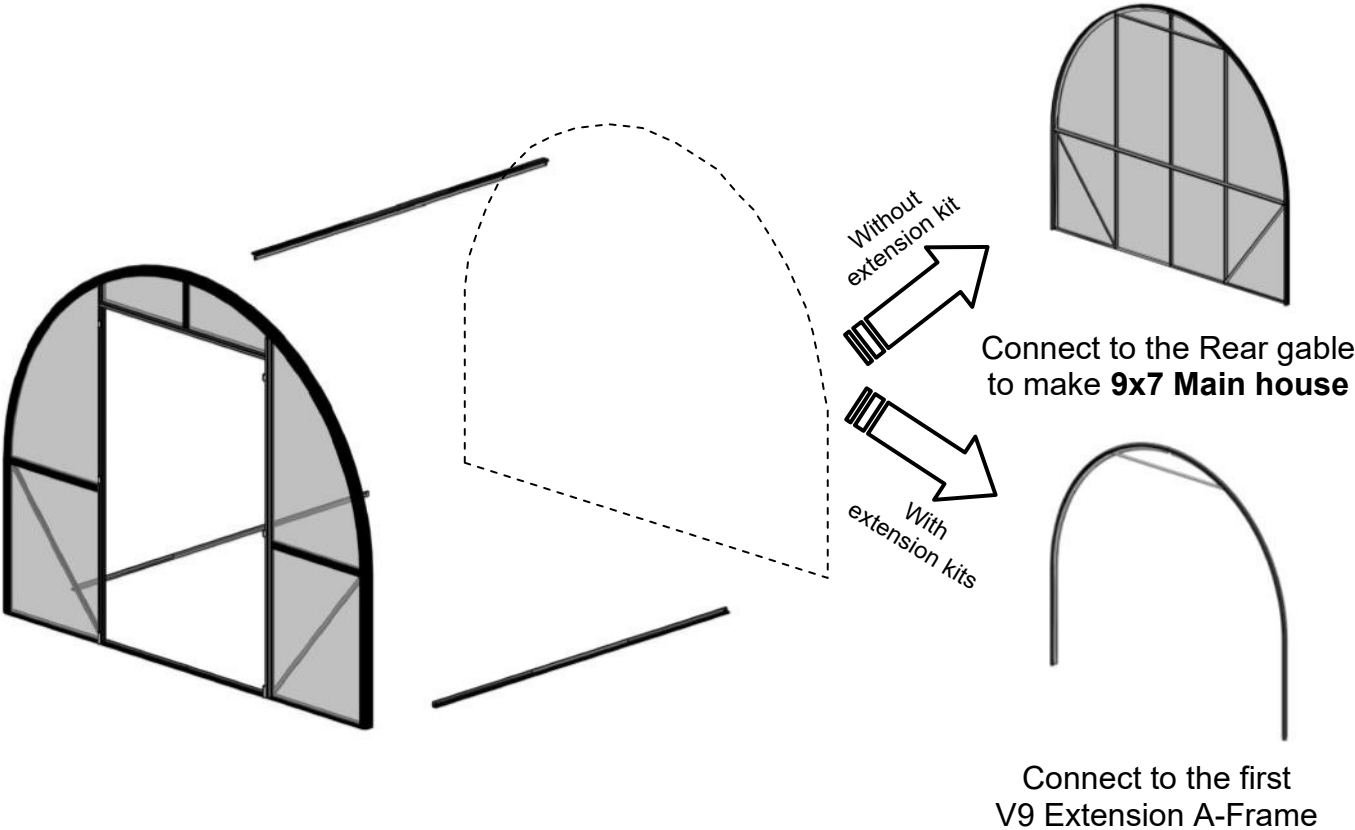
					
Part No.	V215	V226	V227	a2	a8
Size	2934 9' 7 ³³ / ₆₄ "	2898 9' 6 ³ / ₃₂ "	1346 4' 4 ⁶³ / ₆₄ "	M6	M6x15
Qty	2	2	1	10	10



Step 5

For 9x7 greenhouse, connect Front gable directly with Rear gable by ridge and side sill beam.

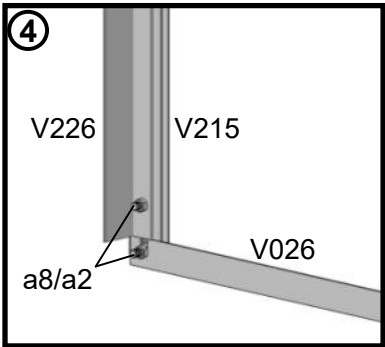
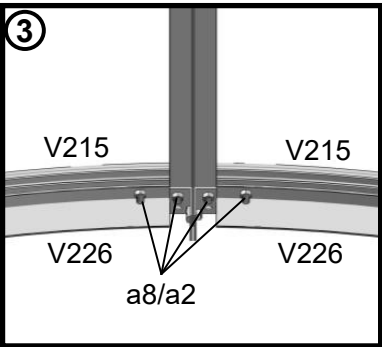
For longer greenhouse sizes connect Front Gable with the first A-Frame (as shown on page 15) by ridge and side sill beam, and then continue connecting other extension sets in the same way. When you have connected all 7' extensions included, connect the Rear gable.



	Part No.	Size	O907
	V210	2163 7' 1 5/32"	1
	V026	2176 7' 1 43/64"	2

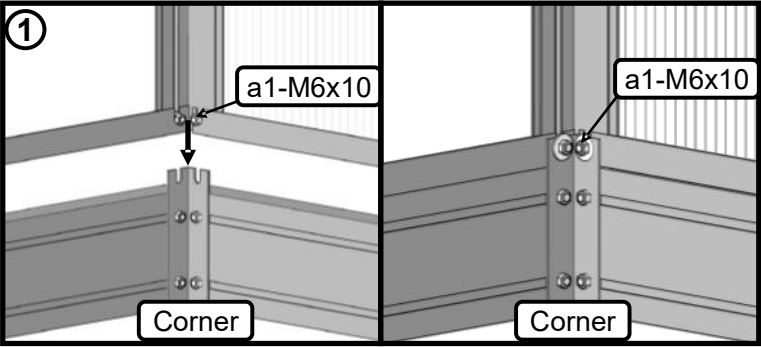
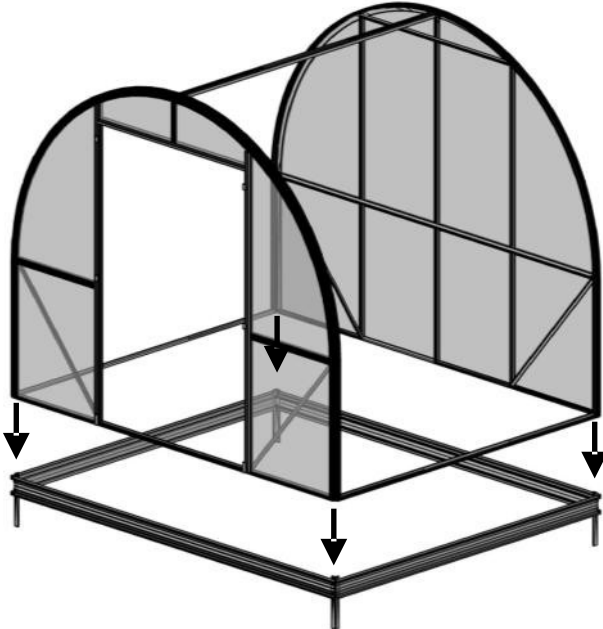
Square No.2 Connect side sill beam with curved corner bar, this can be one of the easiest. This is where you will use an open-end 10mm wrench. Because of the tight corner, it is difficult to work with the nut driver. Once you have attached side sill to curved corner bar, bring the corner together and slide the bolt down into the slot. Tighten with the open-end wrench.

Connect with A-Frame

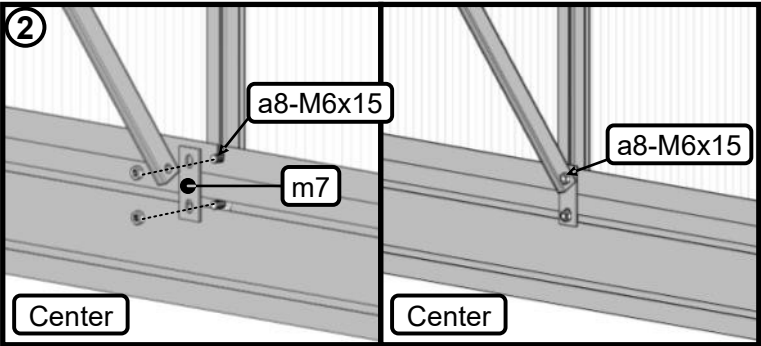


Step 6

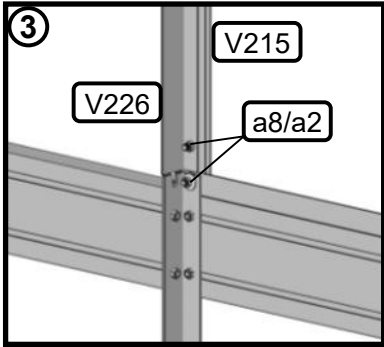
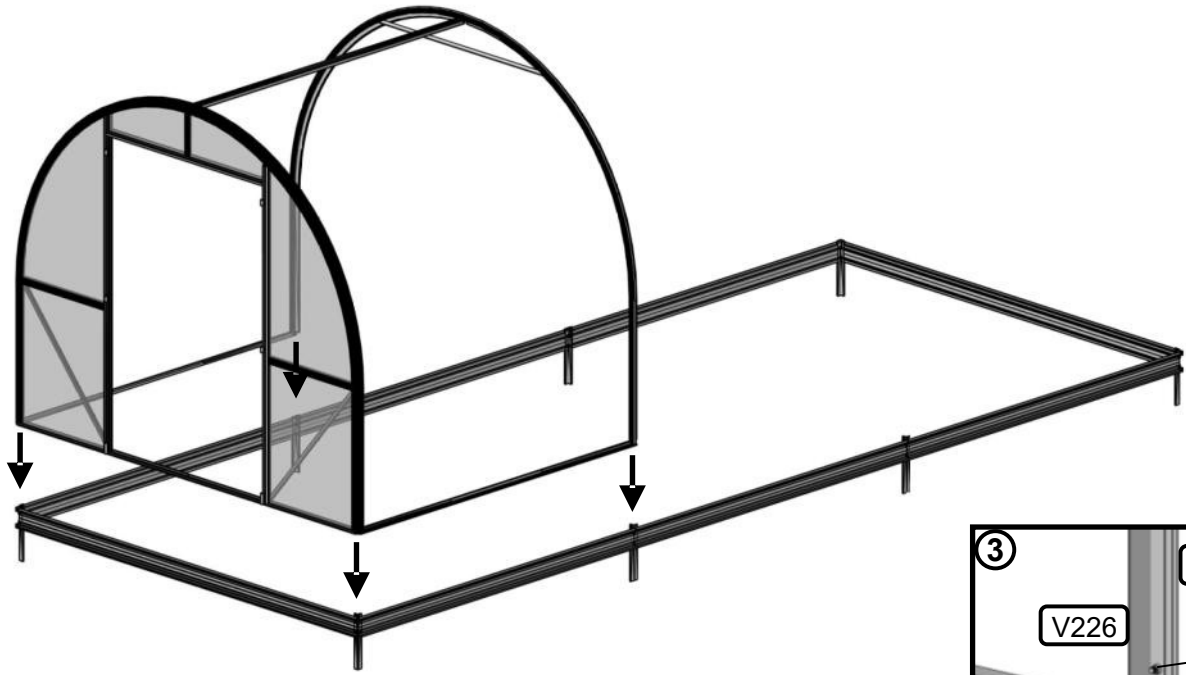
Connecting greenhouse to **Aluminum Base**.



Square No.1 You may loosen the bolts in corners and re-tighten it at the trough of base legs.



Square No.2 Assemble greenhouse frame on base by connector m7 in the middle of bottom.



With Alu. base

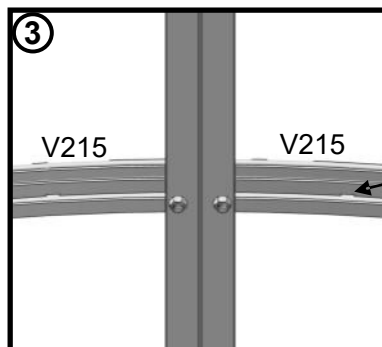
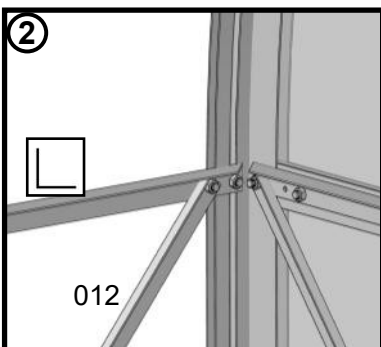
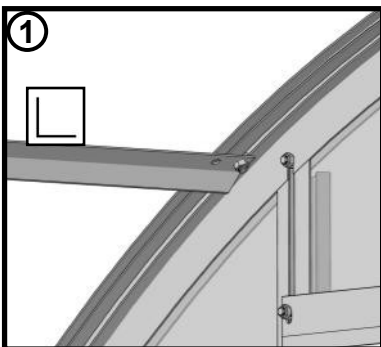
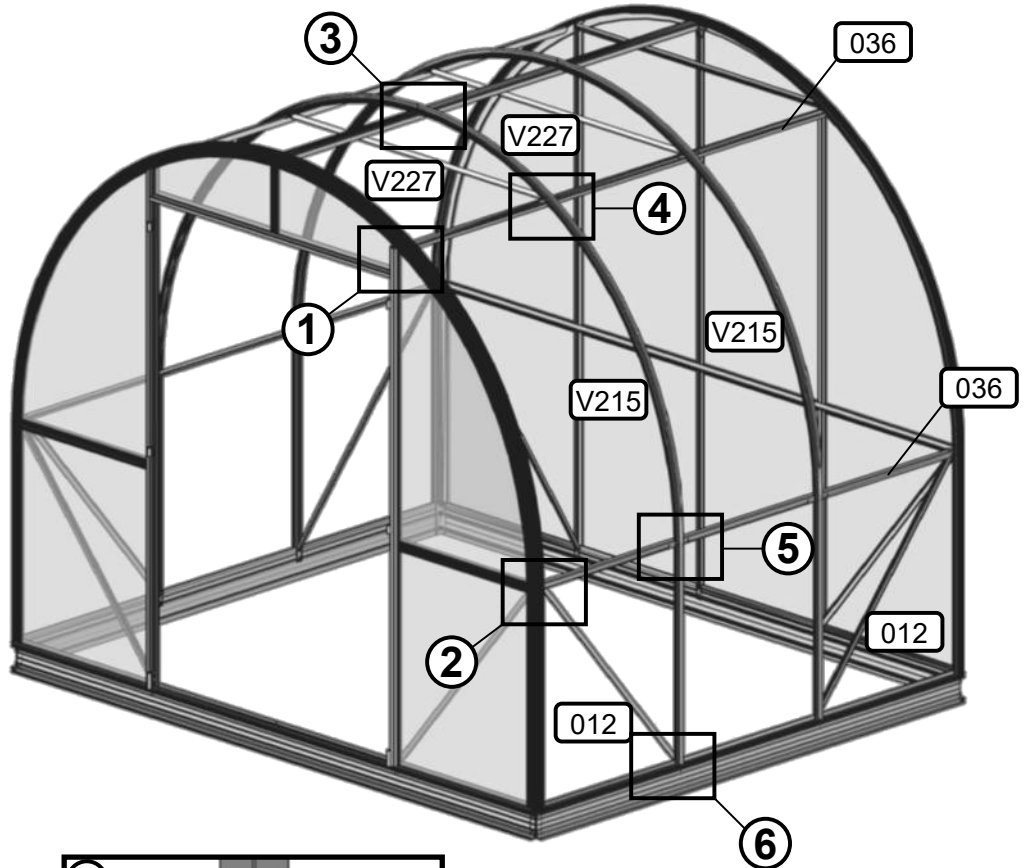
Step 7

Climaorb 9x7 main house O907 Roof / Side wall

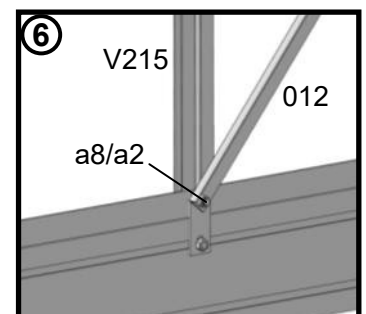
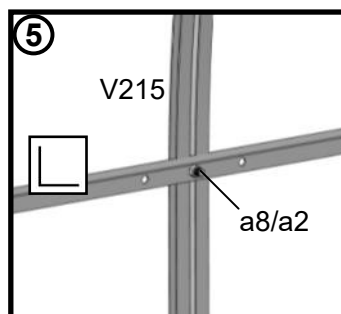
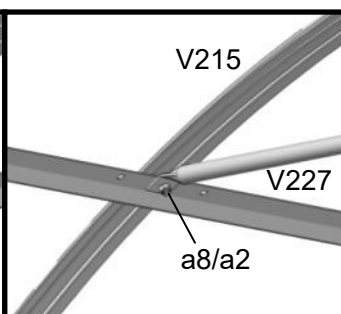
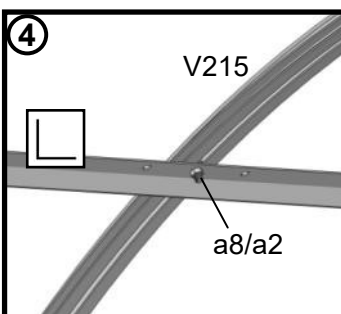
Package No.3

Part No.	036	V215	012	V042	V222	V227	a1	a2	a8
Size	2163 7' 1 5/32"	2934 9' 7 33/64"	1100 3' 7 5/16"	683 2' 2 57/64"	710 2' 3 61/64"	1346 4' 4 63/64"	M6x10	M6	M6x15
O907	4	4	4	10	2	2	40	52	12

Before assembling polycarbonate panel and glazing bar. Please connect hanging basket bar and horizontal rail on front and rear corner bars. Also connect sidewall bracing bars (#012). Then the greenhouse will be in straight shape structure. Then we can start to assemble PC panels and glazing bars smoothly.



If you forgot sliding extra bolts into glazing bar or corner bar channels in advance, please add it through this breach.

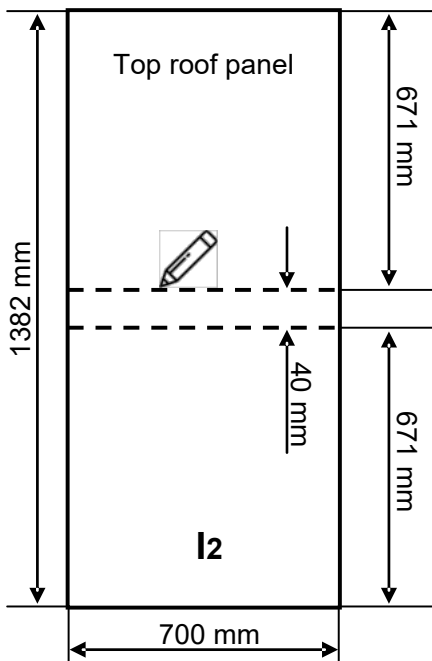


Roof / Side wall

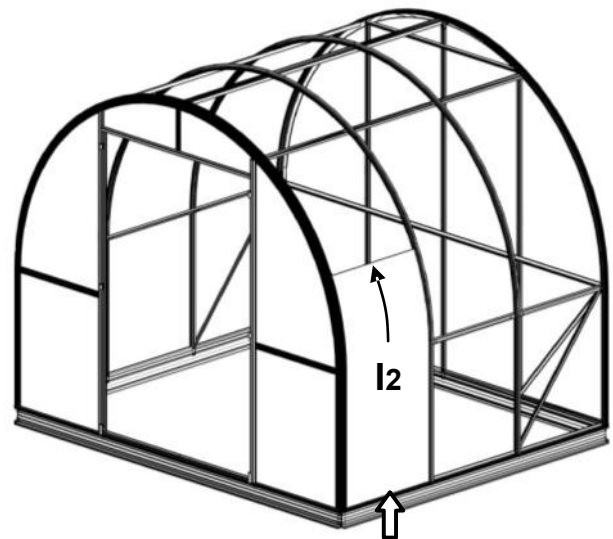
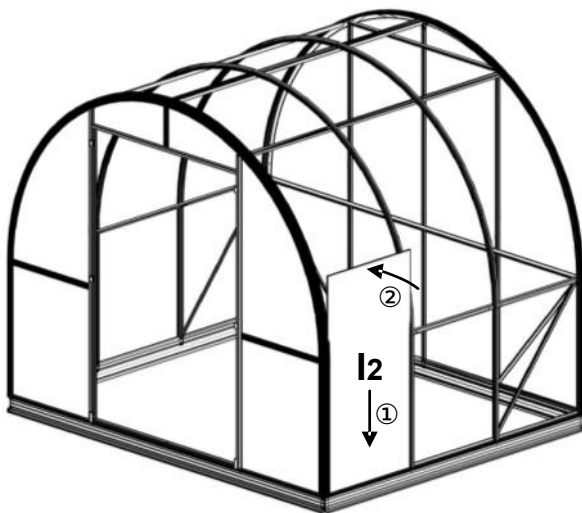
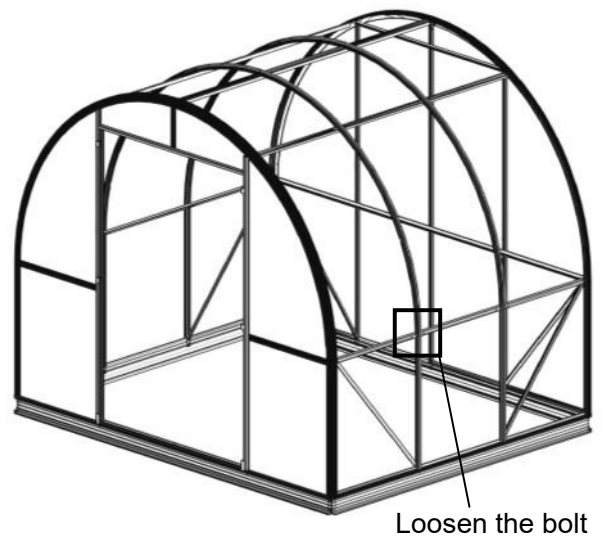
Now we are starting to assemble Polycarbonate panels.

1. Loose the bolts tighten glazing bar #V215 and horizontal rail.
2. Insert roof panel #I2 in alu. Frame channel on bottom, and curve it along the curved channel.
3. Move roof panel #I2 to top position.
4. Assemble second roof panel next to top roof panel in same way.
5. Sliding side panel #B between cross bar part #V042 and side sill bar with PVC anti-dust strip p7 on bottom.
6. Retighten the bolt to fixing glazing bar #V215 and bottom sill bar and base.
7. Do the same on opposite side.

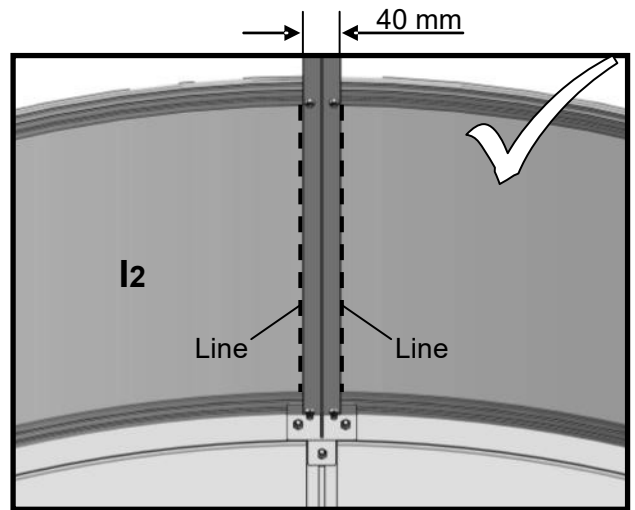
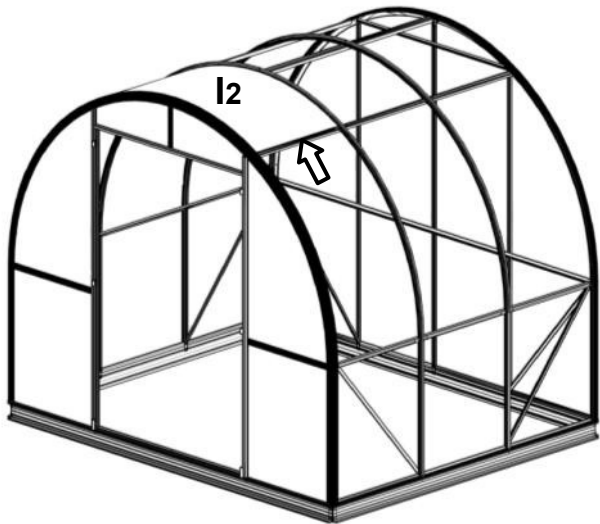
Very Important: At this stage, if you already decide where your roof vent are positioned, please insert an extra bolt #a1 into each glazing bar either side of a vent opening.



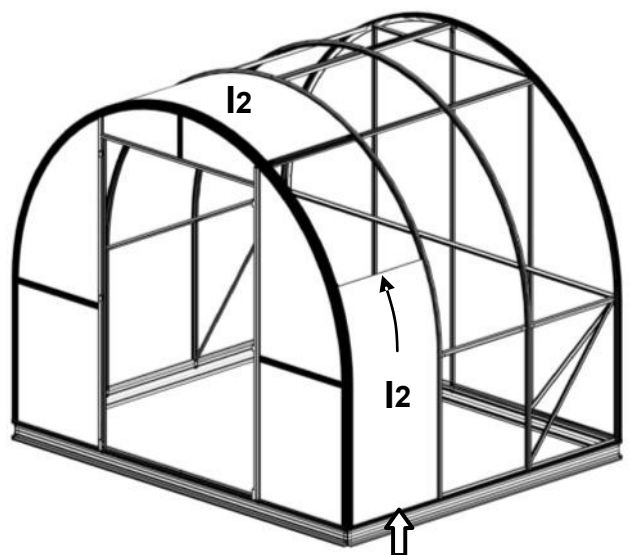
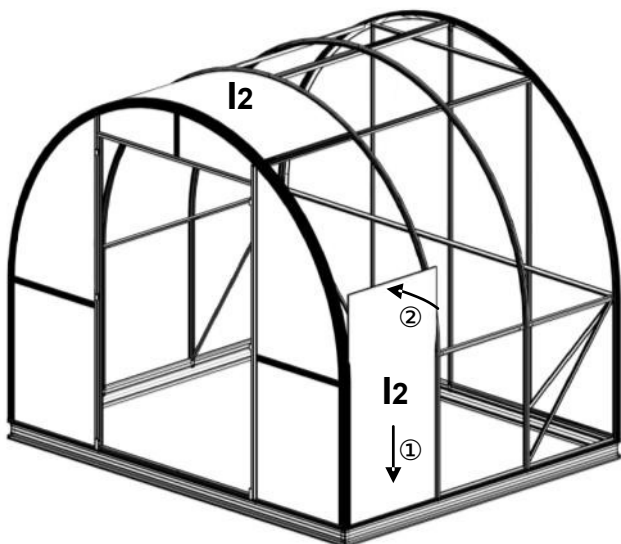
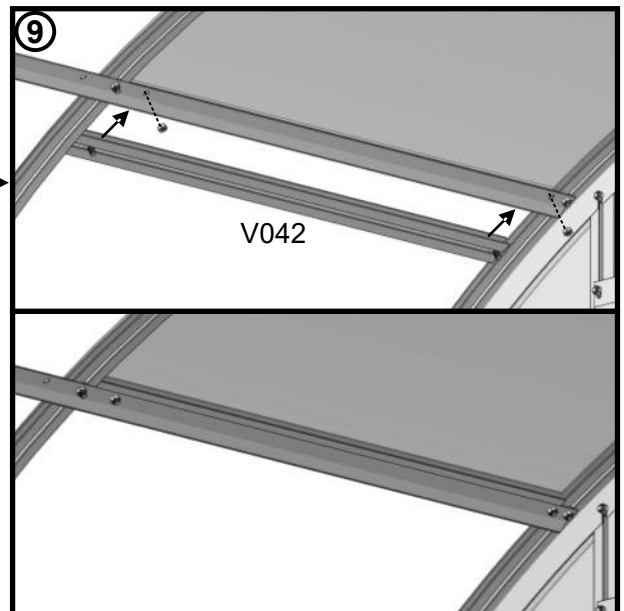
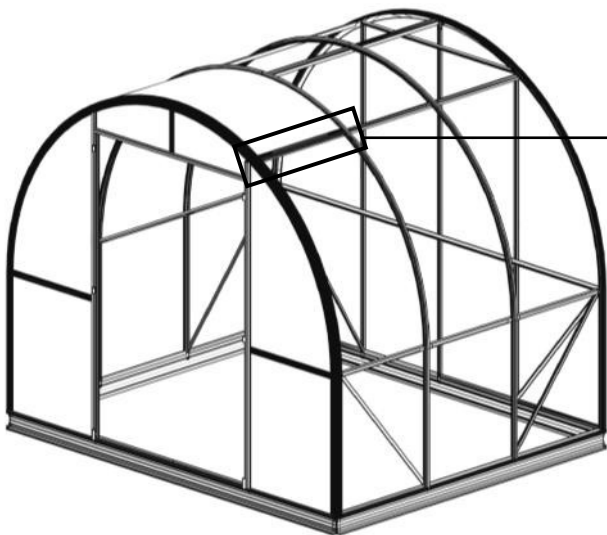
Assembling roof panel from top position. Before assembling, please draw two lines in the center of top roof panel. The distance between two lines is 40mm.



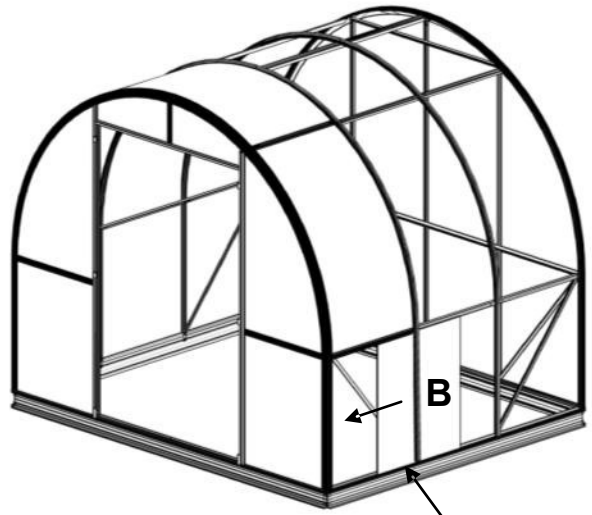
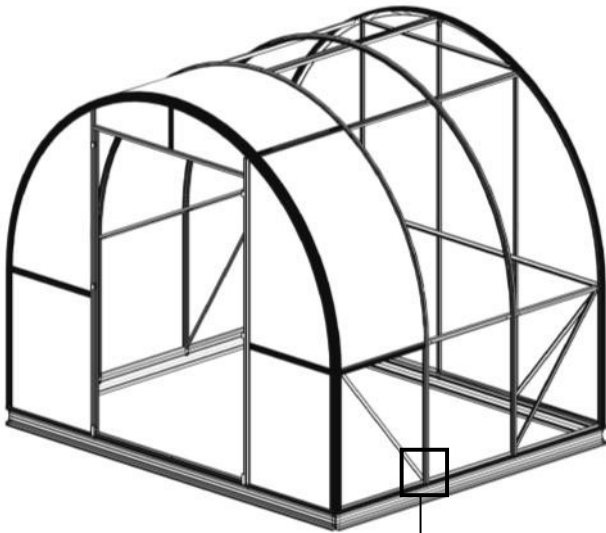
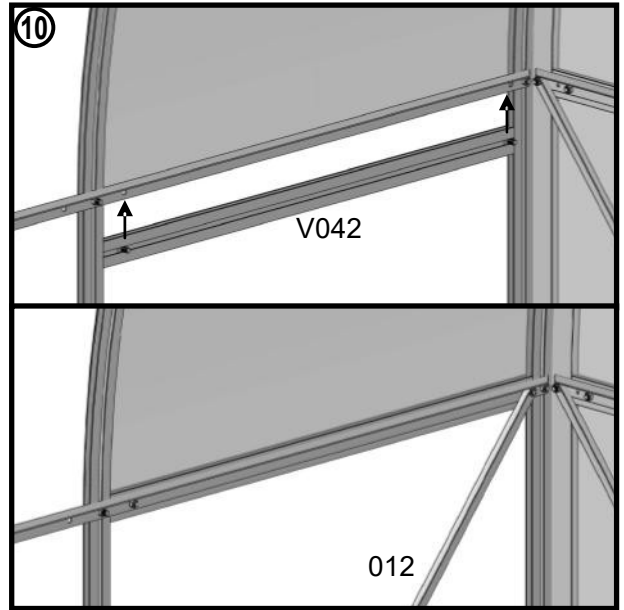
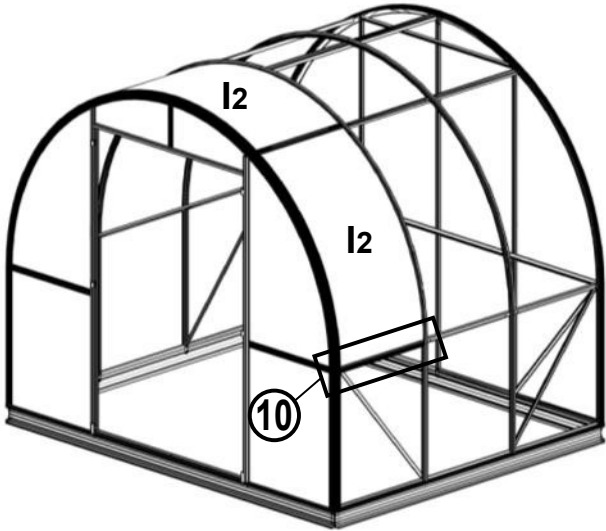
Roof / Side wall



After assembling, If you see two drawn lines evenly located on both sides of the ridge bar (part #V210 - #V213). It means the top roof panel is in the position right in the middle of roof

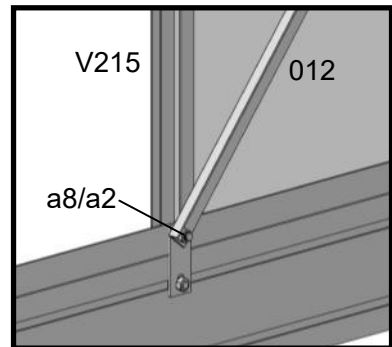
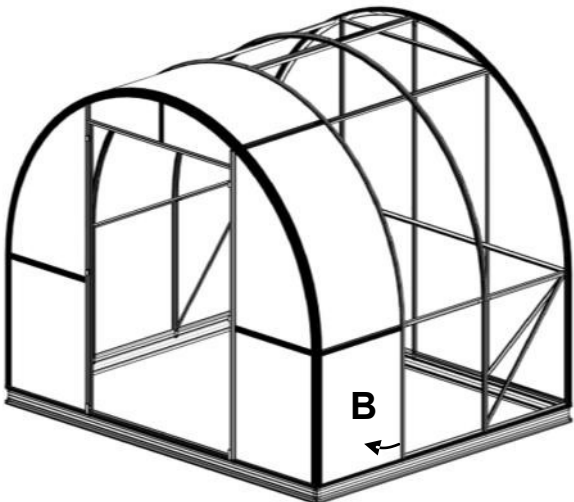
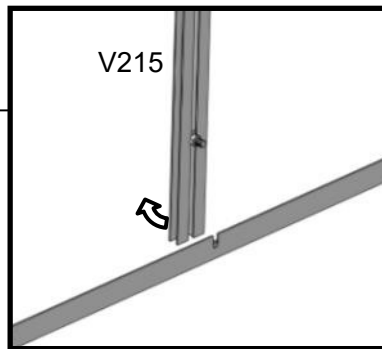


Roof / Side wall



PC panel bottom with PVC anti-dust strip P7

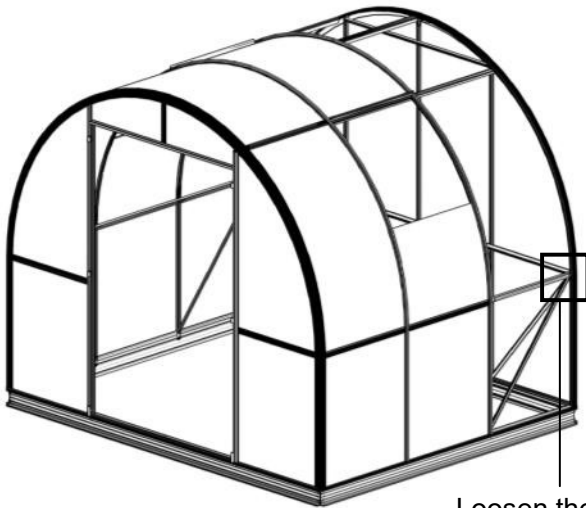
Loosen the bolt and separate from bottom at an angle



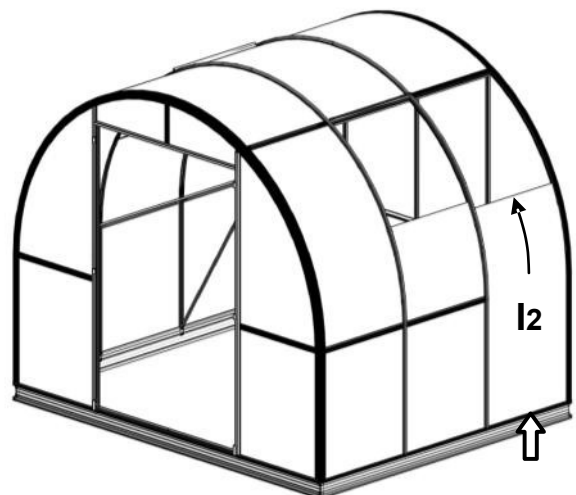
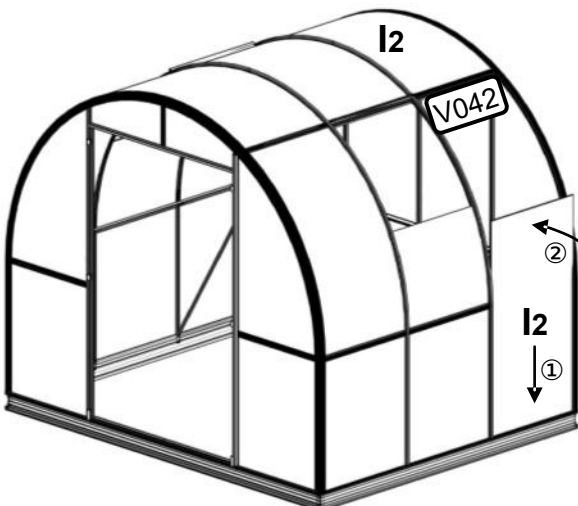
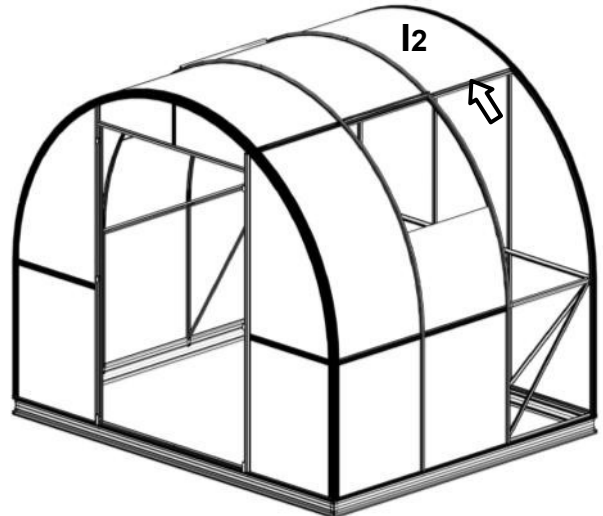
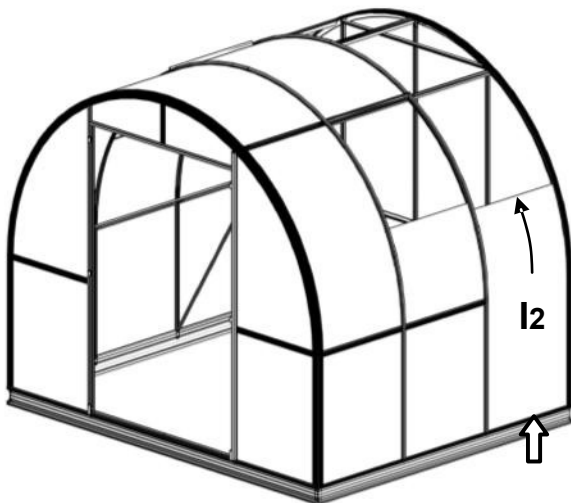
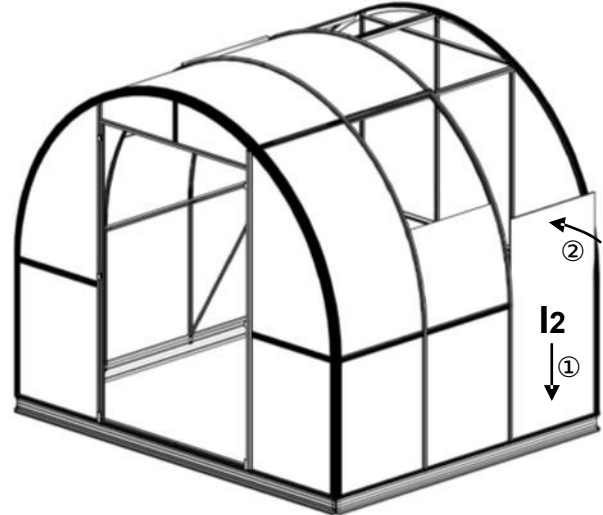
Roof / Side wall

For the last polycarbonate panel assembly

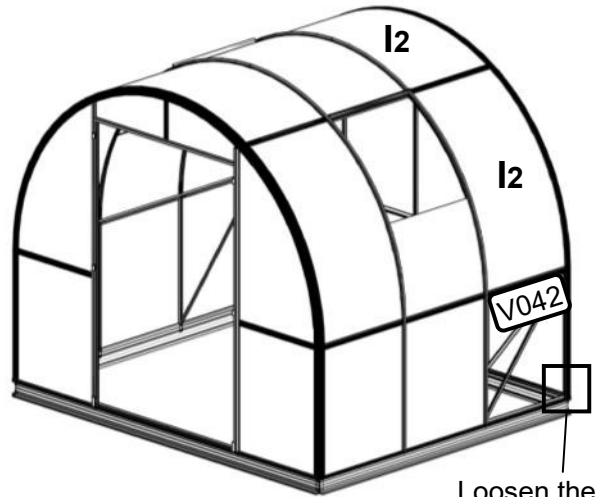
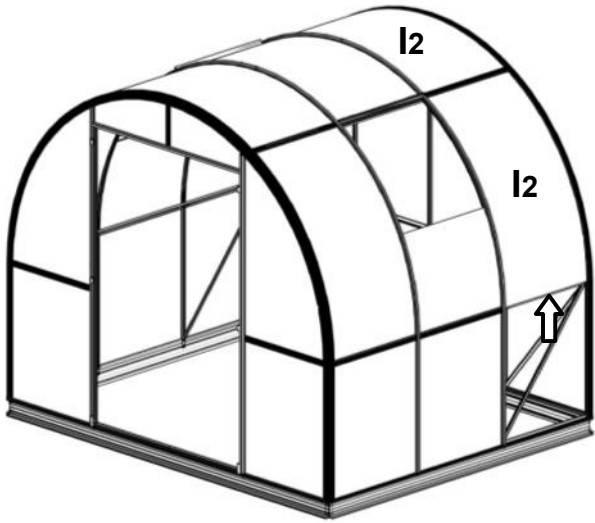
1. At first, You should dismantle the curved corner bar, by loosening the bolts attaching base, sill beam and horizontal rail bar (Don't loosen ridge top and hanging basket bar bolts and nuts). And separate curved corner bar a little from bottom, and make an angle with glazing bar (Like a trapezoid with right angle).
2. Insert polycarbonate panel #12 between curved corner bar and curved glazing bar first, and move to position.
3. Sliding side panel #B between cross bar part #V042 and side sill bar with PVC anti-dust strip p7 on bottom.
4. Finally, push them together, and tighten all the bolts and nuts which loosened before.
5. Repeat this on the opposite side.



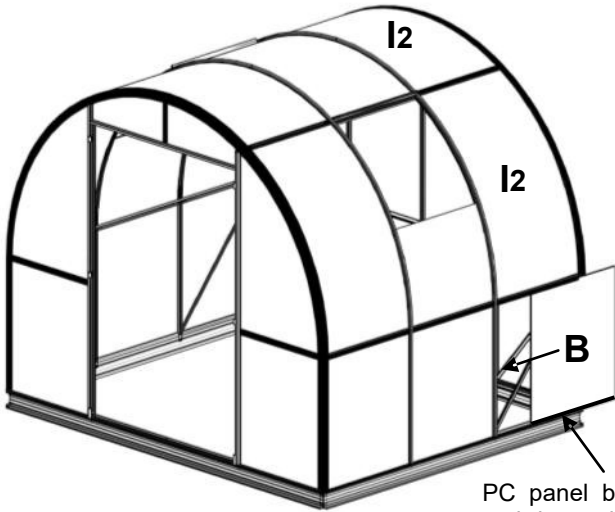
Loosen the bolt



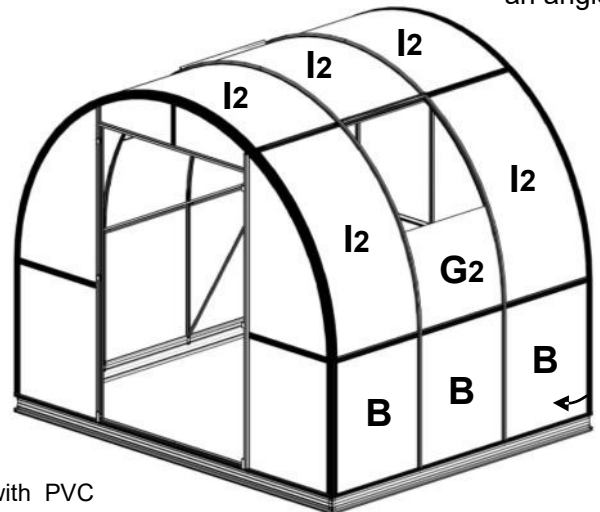
Roof / Side wall



Loosen the bolt and separate from bottom at an angle



PC panel bottom with PVC anti-dust strip P7



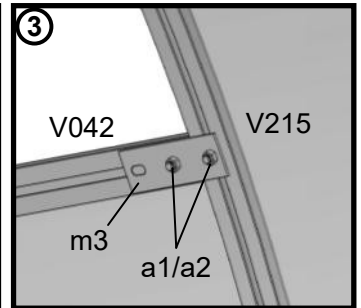
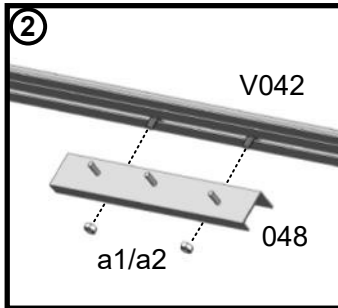
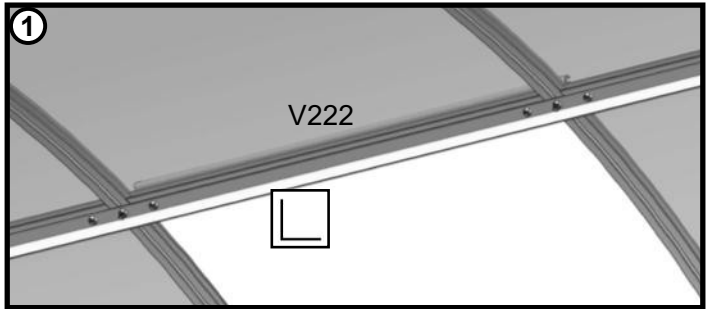
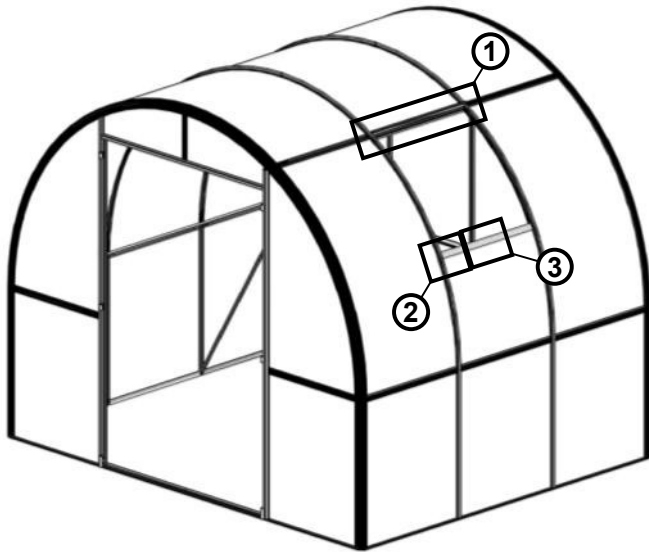
Step 8

Vent

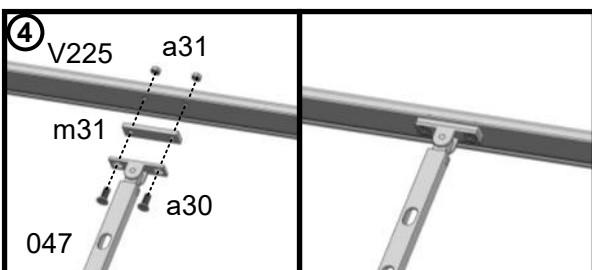
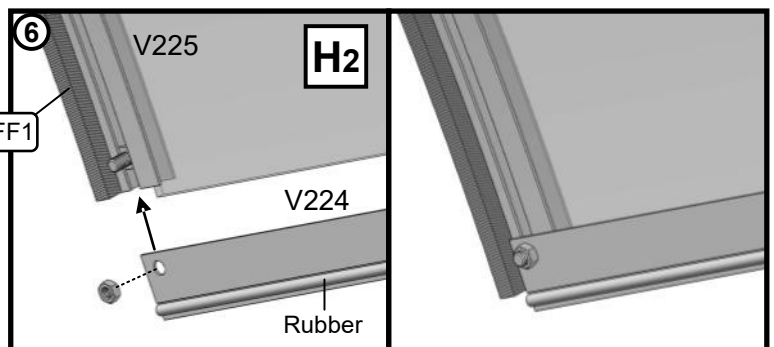
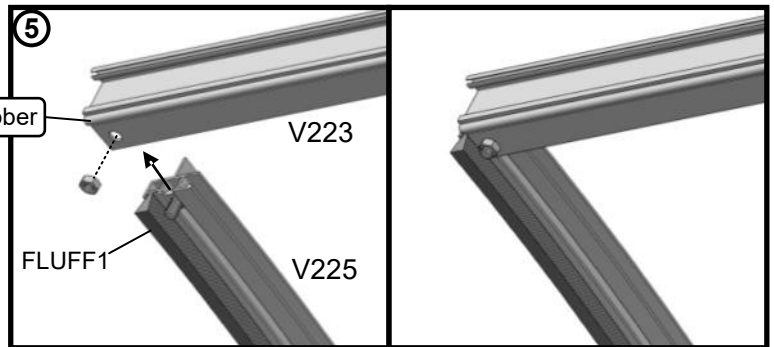
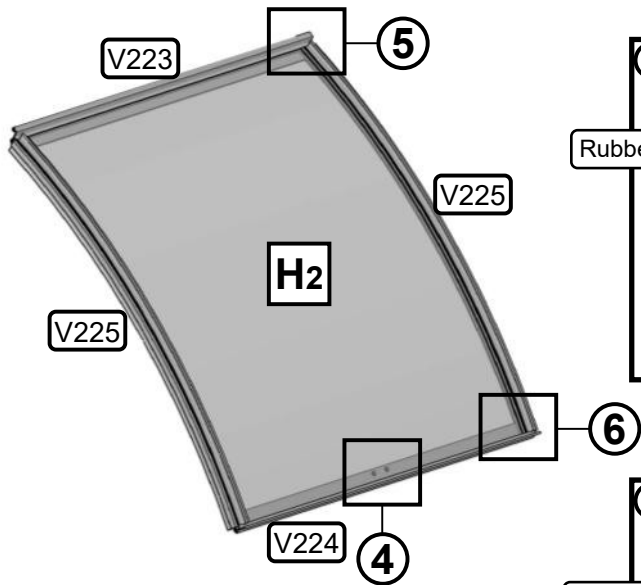
Package No.4

Part No.	V223	V224	V225	V042	047	048	m3	m31	a1	a2	a30	a31	a4	p3	FLUFF1	Rubber
Size	685 2'2 31/32"	685 2'2 31/32"	750 2'5 17/32"	683 2'2 57/64"	300 11 13/16"	200 7 7/8"	-	-	M6x10	M6	M4x10	M4	Φ4.2x9.5	-	-	-
Qty	1	1	2	1	1	1	2	1	10	10	2	2	2	2	1.6M	1.4M

	Climaorb O907
Vent No.	2

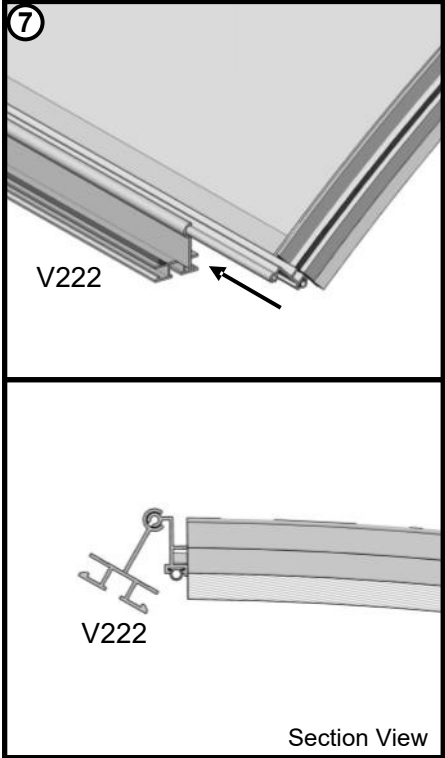
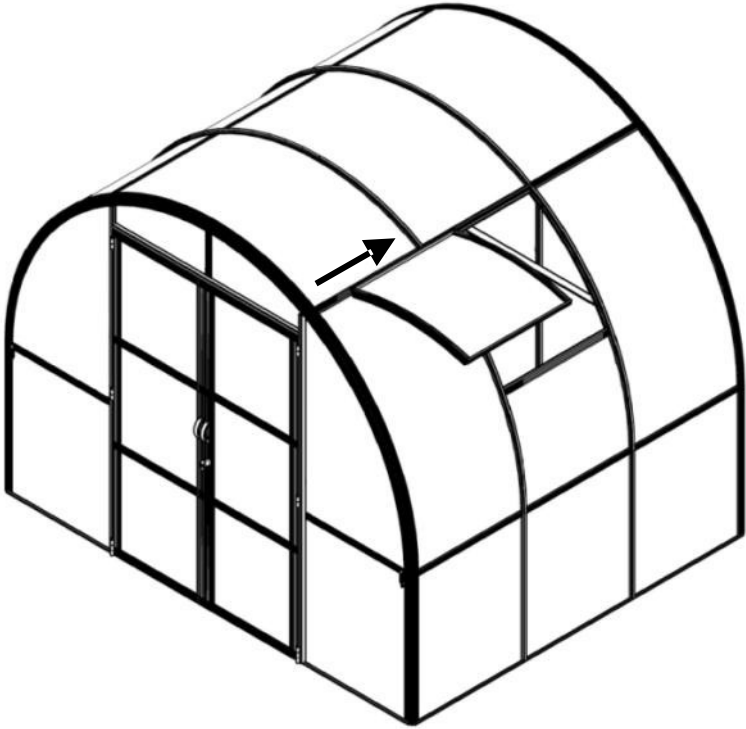


Square No.2 When mounting part #048 onto part #V042, the left post should be directly in line with the center of the vent.

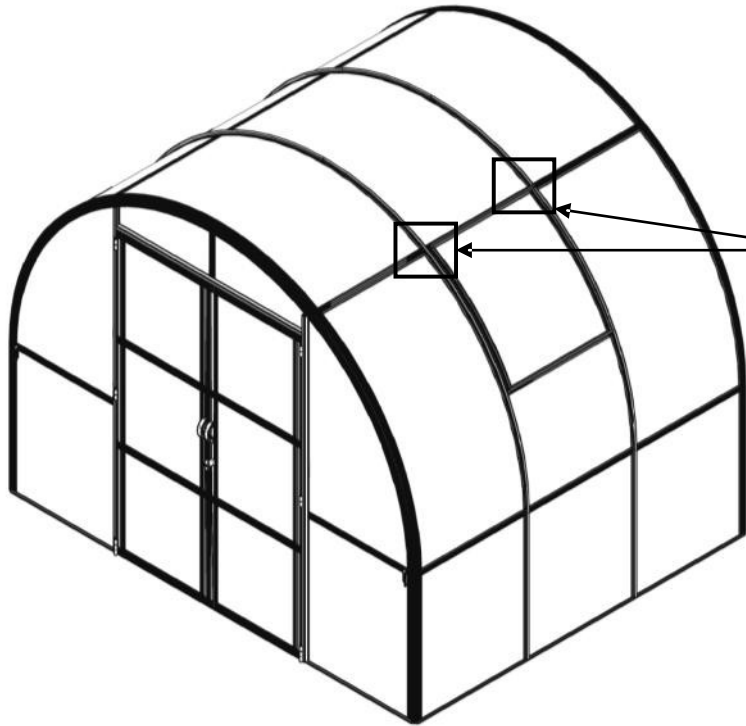


m31 gasket can help vent lock well.

Vent



Square No.7 The completed vent slide into the hinge bar #V222 which act as a self-hinge.



Square No.8 Part #p3 is plastic barrel shaped piece that is used on either side of the vent to keep it from moving side to side. The screw #a4 will expand the plastic and hold it firm.

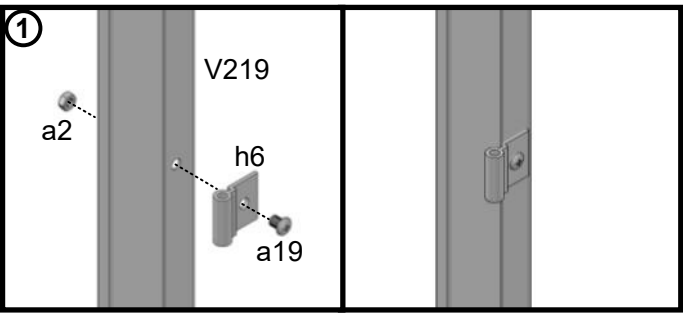
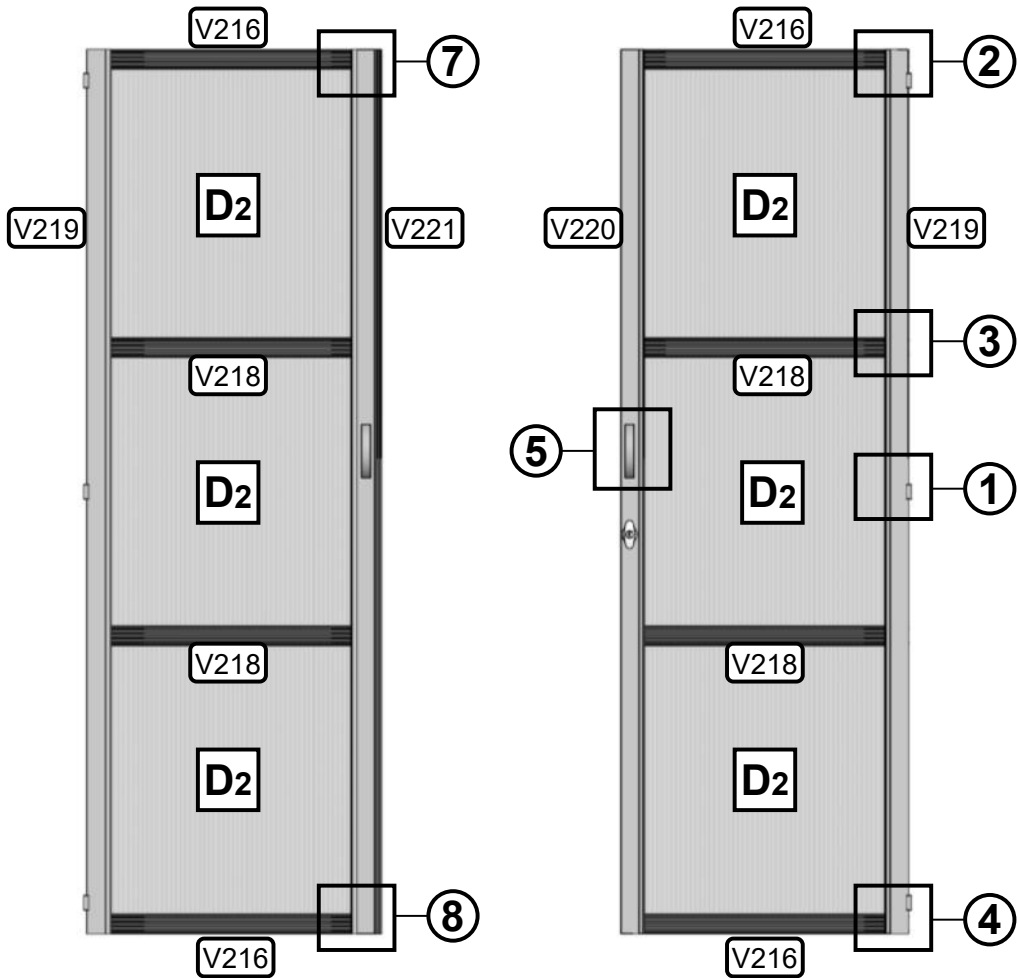
Step 9

Door

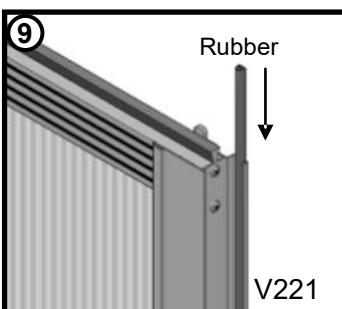
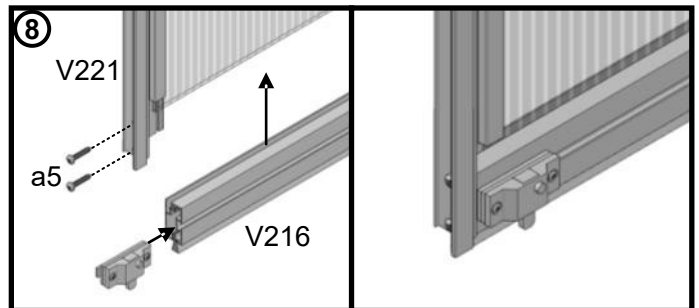
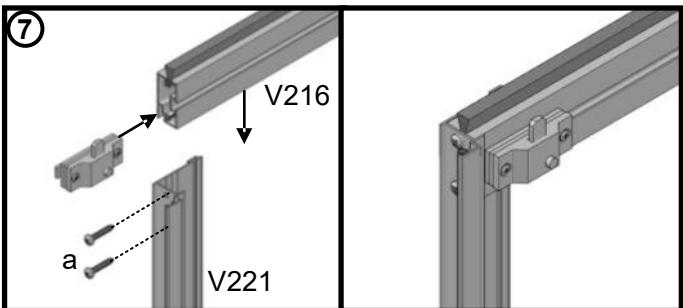
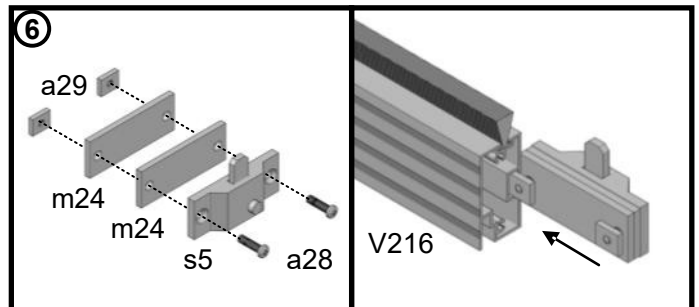
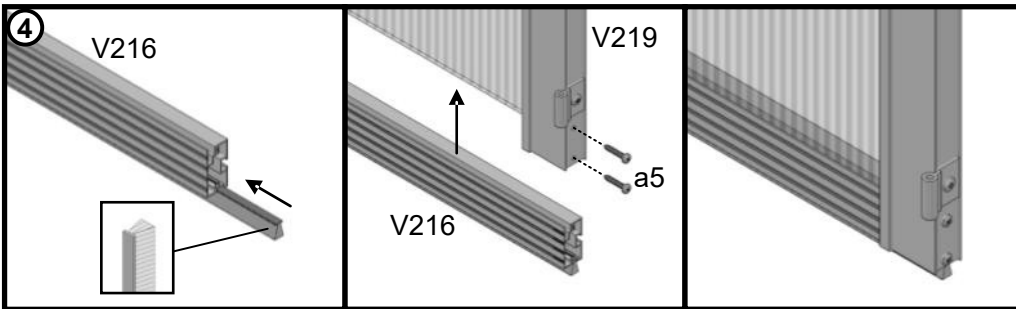
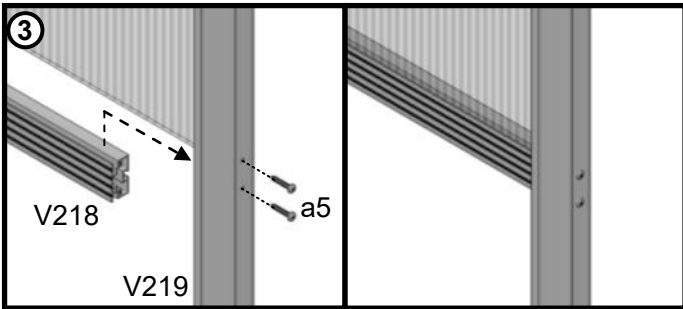
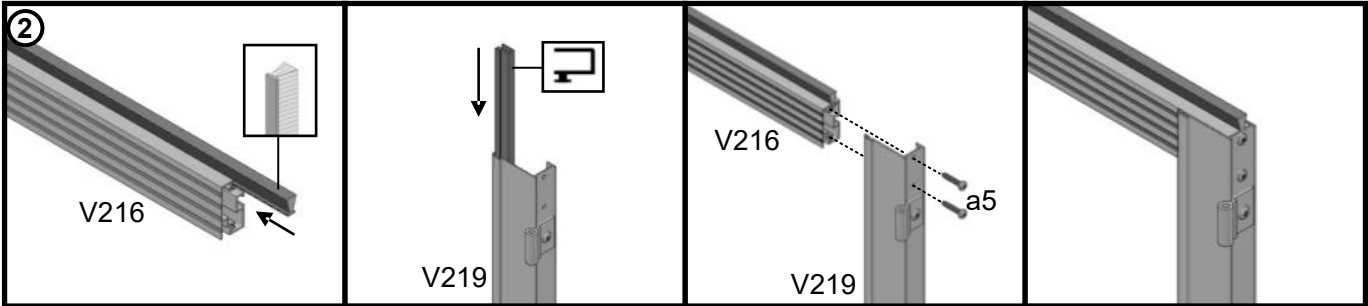
Package No.5

Part No.	V219	V220	V221	V216	V218	563	384	h6	h7	s5	m24	a1	a2
Size	1855 6'1 1/32"	1855 6'1 1/32"	1855 6'1 1/32"	603 1'11 47/64"	603 1'11 47/64"	563 1'10 11/64"	-	-	-	-	-	M6x10	M6
QTY	2	1	1	4	4	12	2	6	6	2	4	4	10

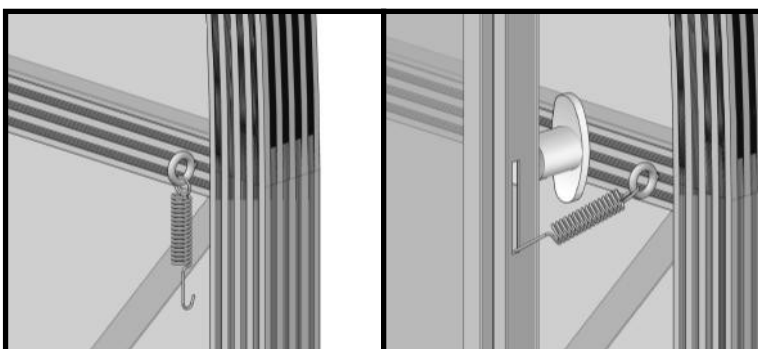
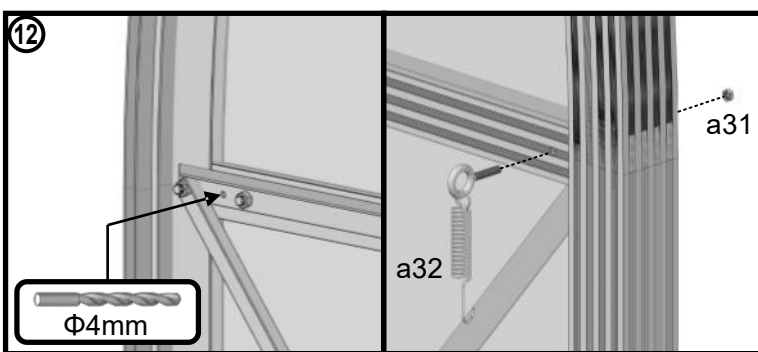
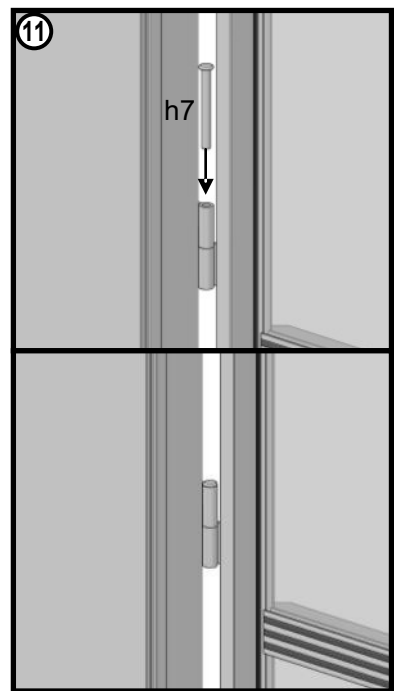
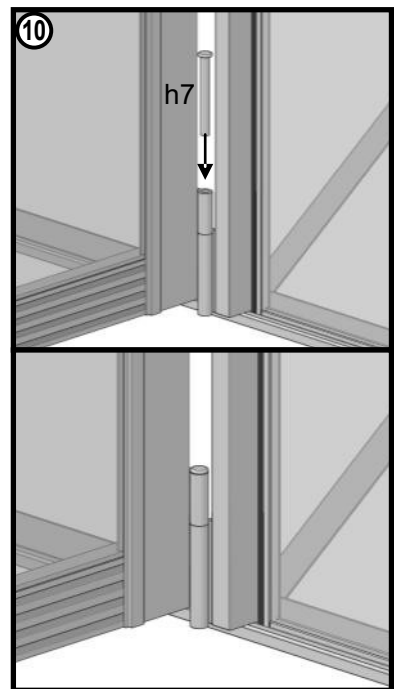
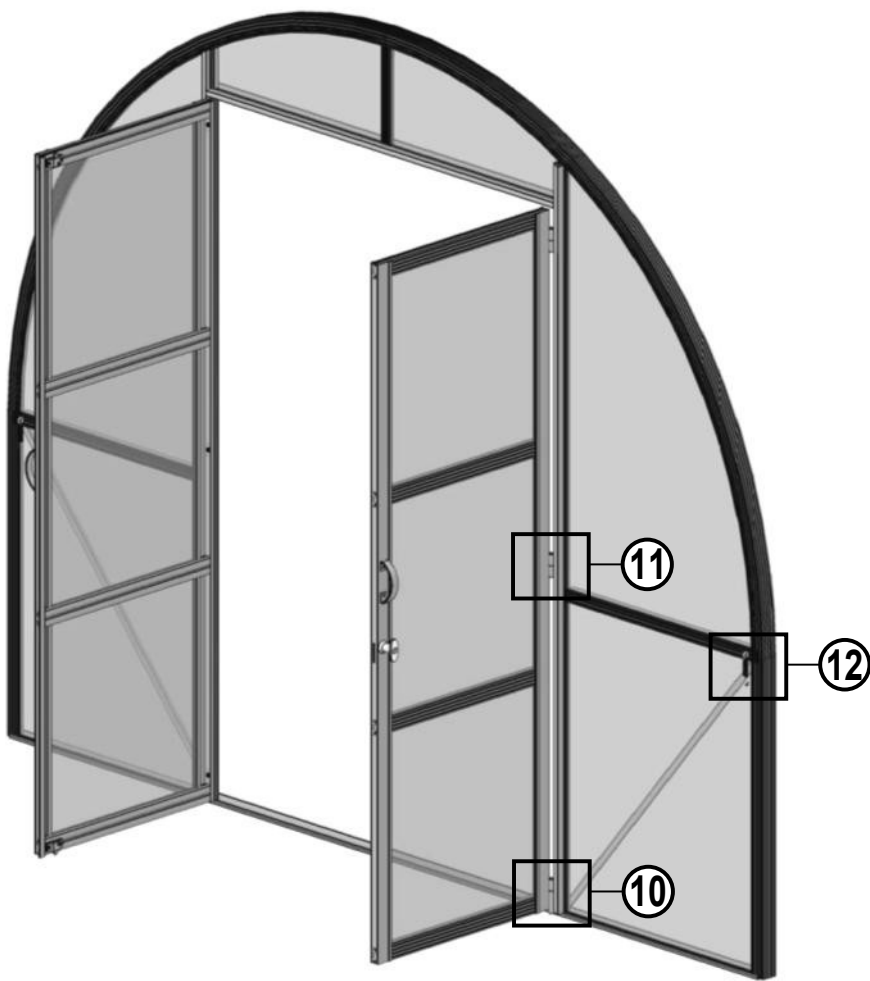
Part No.	a5	a19	a28	a29	a32	a31	FLUFF2	Rubber
Size	Φ3.5x19	M6x8	M4x16	M4	M4x20	M4	2.4M	1.9M
QTY	32	6	4	4	2	2	1	1



Door



Door



O9-EXT Parts list

Please note that this list includes parts list and count for one 7' extension set. See page 5 to learn how many 7' extension sets your ordered greenhouse includes.

Roof/Side wall

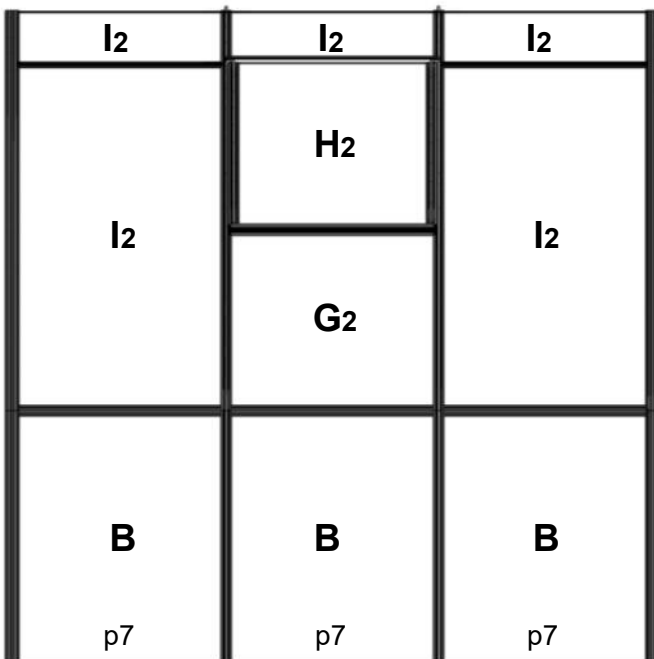
Part No.	012	V214	V064	065	066	V215	V042	V222	V226	V227
Size	1100 3'7 ⁵ / ₁₆ "	2148 7'9 ⁹ / ₁₆ "	2148 7'9 ⁹ / ₁₆ "	2139 7'7 ⁷ / ₃₂ "	2139 7'7 ⁷ / ₃₂ "	2934 9'7 ³³ / ₆₄ "	683 2'2 ⁵⁷ / ₆₄ "	710 2'3 ⁶¹ / ₆₄ "	2898 9'6 ³ / ₃₂ "	1346 4'4 ⁶³ / ₆₄ "
Qty	4	1	2	2	2	6	10	2	2	3

Part No.	V228	m7	a1	a2	a8	a16
Size	-	-	M6x10	M6	M6x15	Φ6
Qty	2	2	26	52	26	4

2 Vents

Part No.	V223	V224	V225	V042	047	048	m3	m31	a1	a2	a30	a31	a4	p3	FLUFF	Rubber
Size	685 2'2 ³¹ / ₃₂ "	685 2'2 ³¹ / ₃₂ "	750 2'5 ¹⁷ / ₃₂ "	683 2'2 ⁵⁷ / ₆₄ "	300 11 ¹³ / ₁₆ "	200 7 ⁷ / ₈ "	-	-	M6x10	M6	M4x10	M4	Φ4.2x9.5	-	-	-
Qty	1	1	2	1	1	1	2	1	10	10	2	2	2	2	1.6M	1.4M

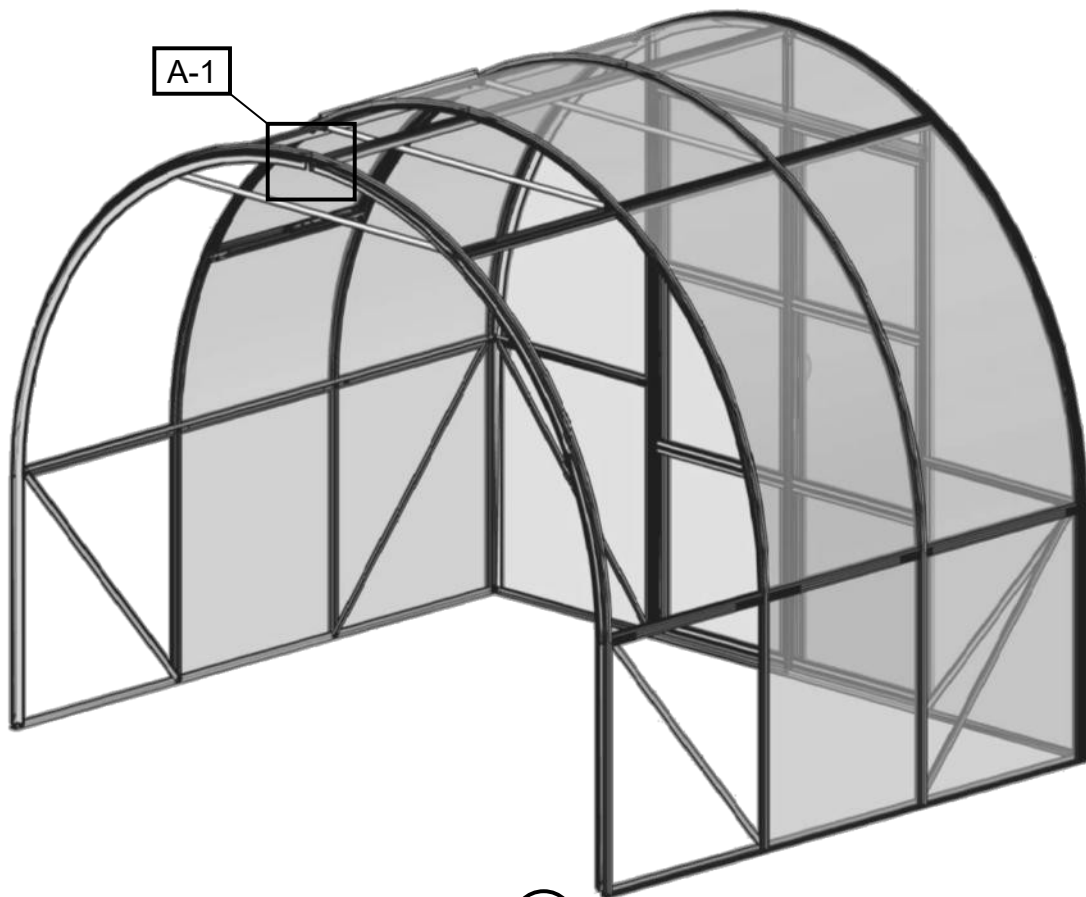
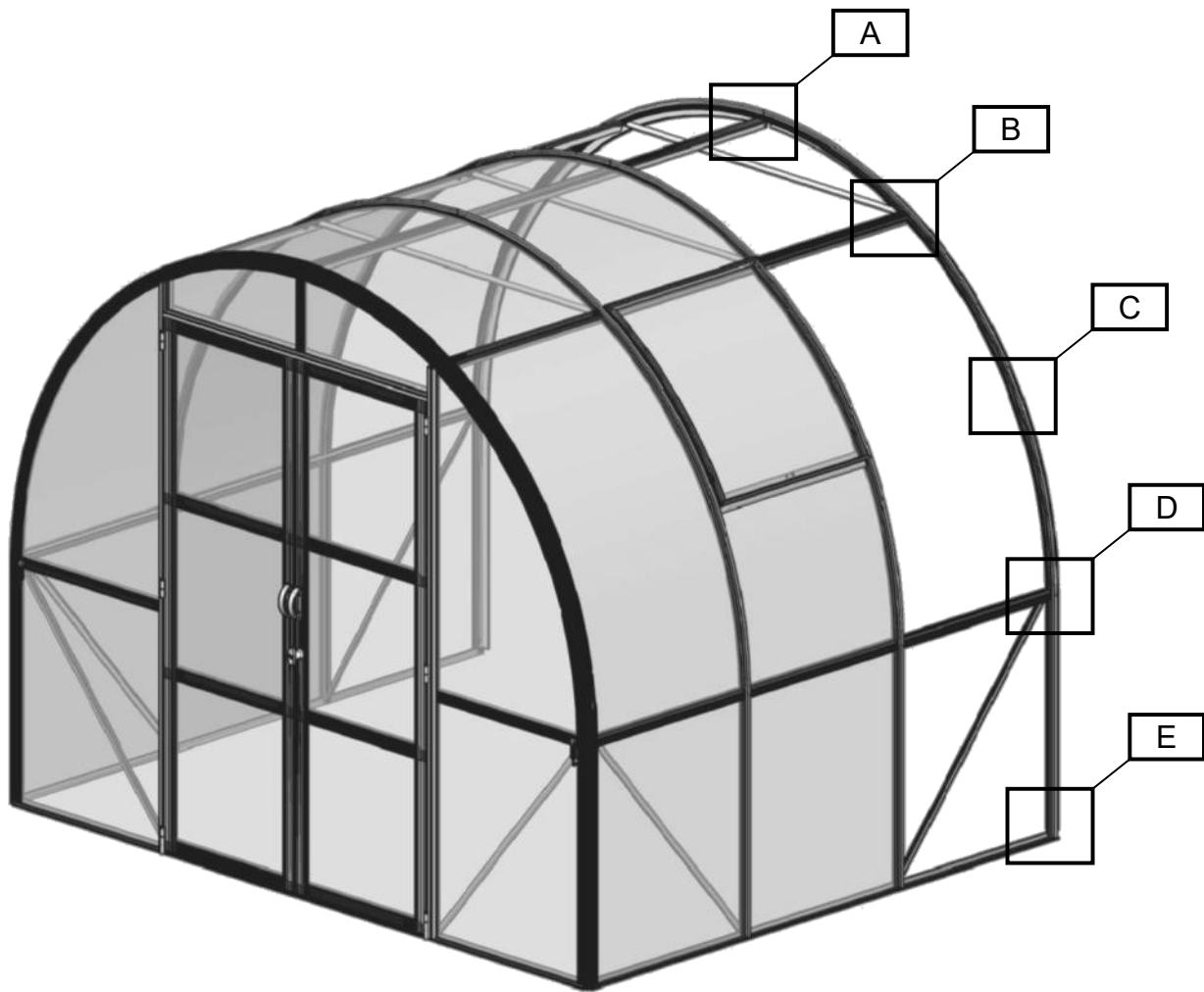
Polycarbonate sheet



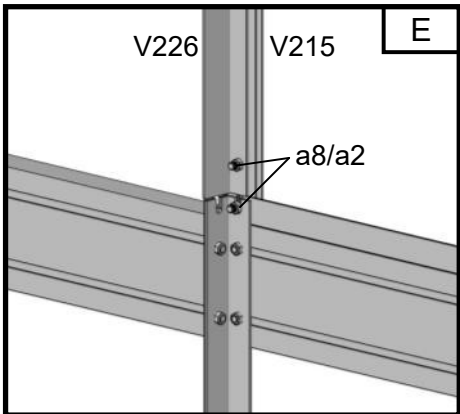
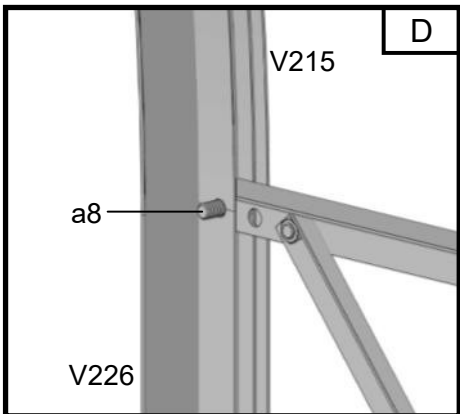
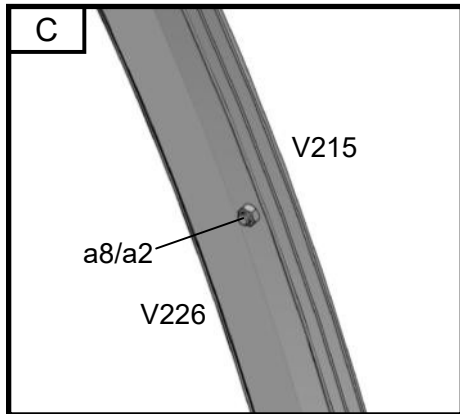
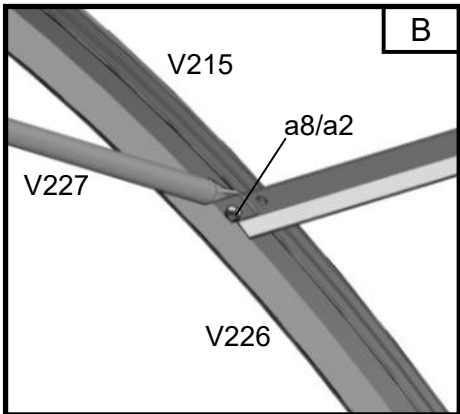
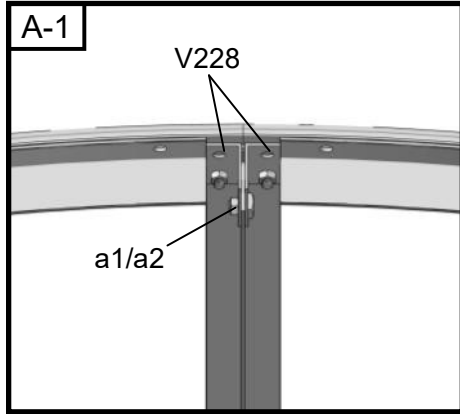
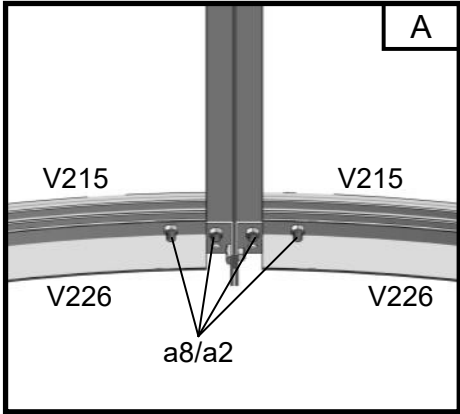
#	Size	EXT-3
B	700x842 (2'3 ⁹ / ₁₆ " x 2'9 ⁵ / ₃₂ ")	6
G2	700x610 (2'3 ⁹ / ₁₆ " x 2'1 ¹ / ₆₄ ")	2
H2	652x750 (2'3 ⁹ / ₁₆ " x 2'5 ¹⁷ / ₃₂ ")	2
l2	700x1382 (2'3 ⁹ / ₁₆ " x 4'6 ¹³ / ₃₂ ")	7
p7	682 (2'2 ²⁷ / ₃₂ ")	6

Step 10

Assembly of the A-frame that connects main and extension set(s)

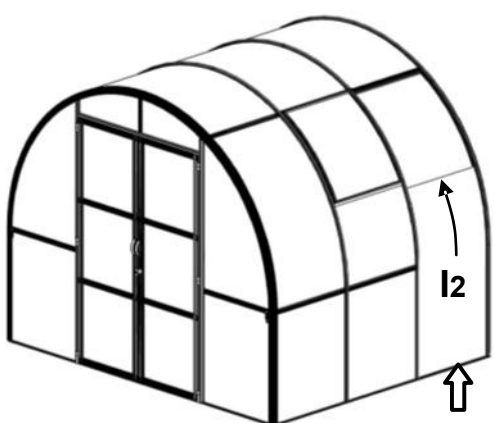
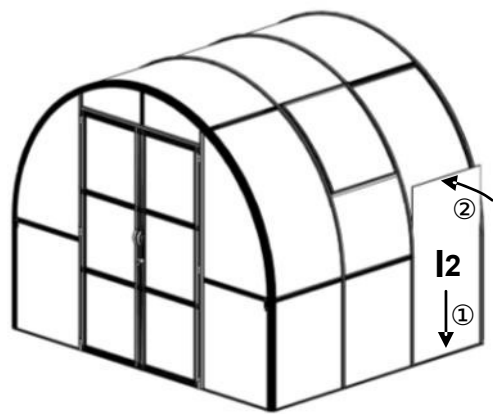
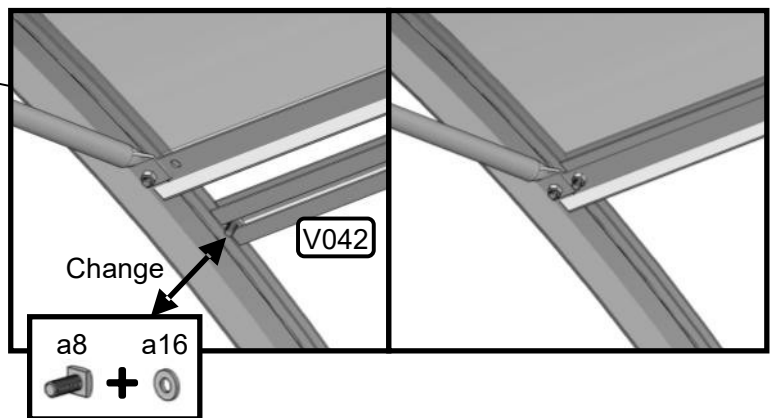
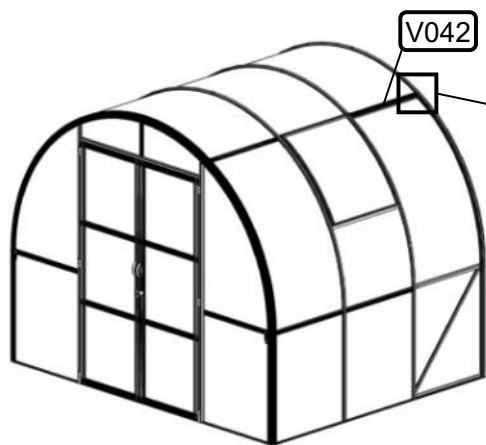
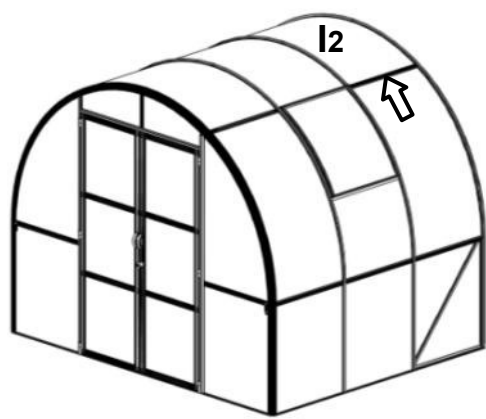
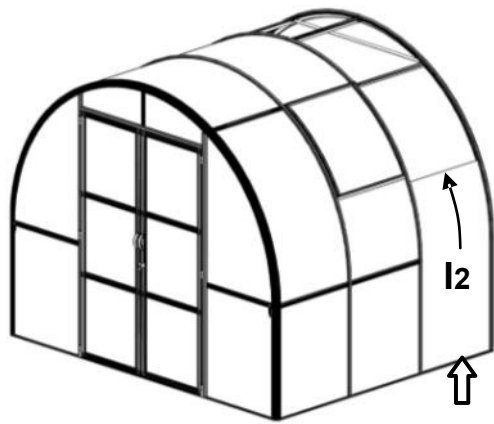
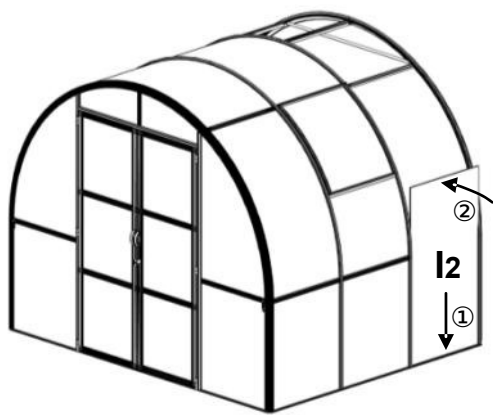


Assemble the A-frame

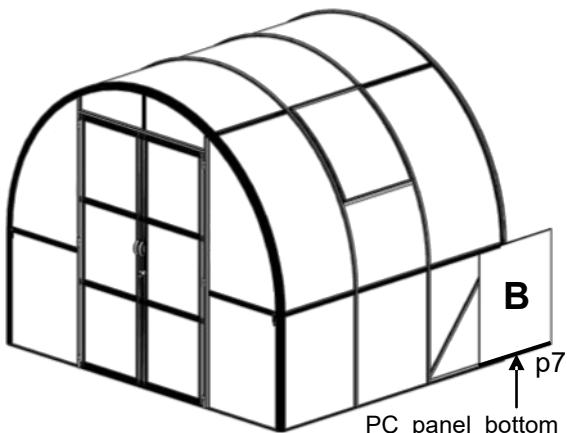
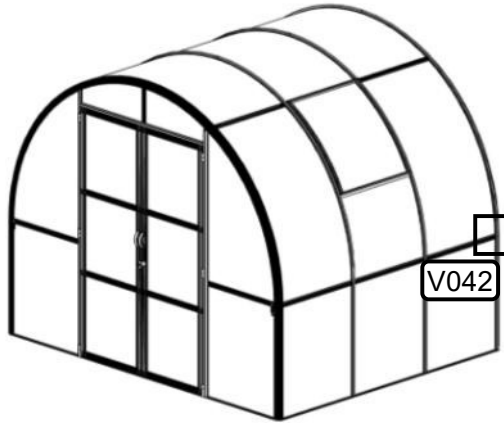


With Alu. base

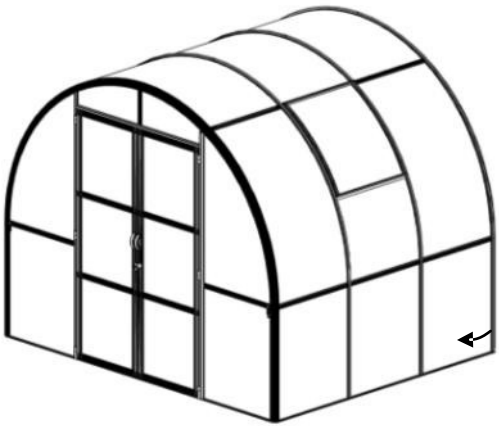
Assemble the A-frame



Assemble the A-frame

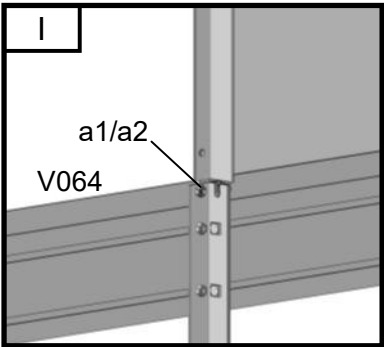
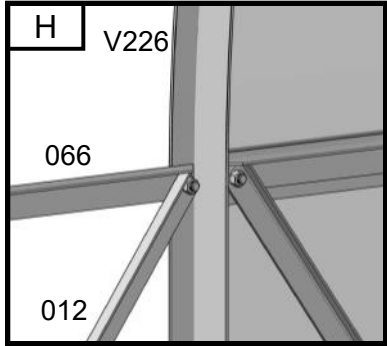
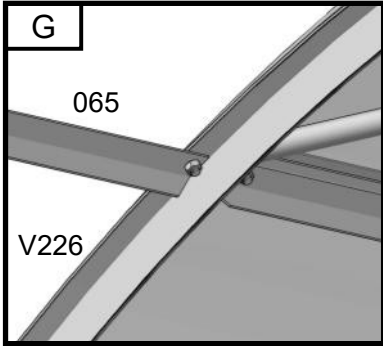
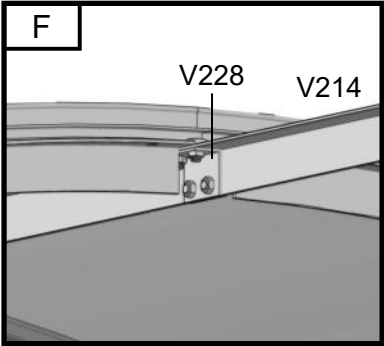
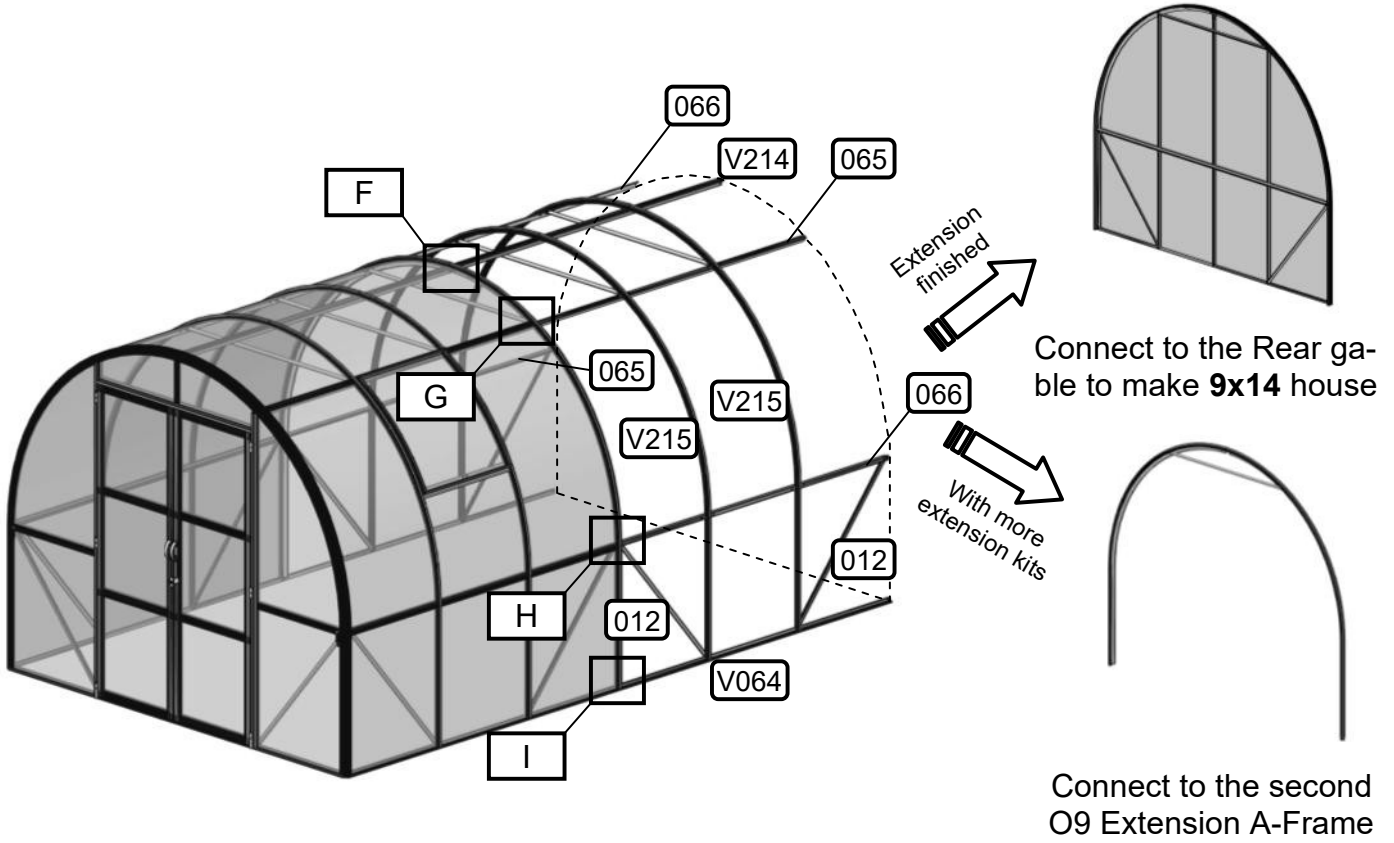


PC panel bottom with PVC anti-dust strip P7

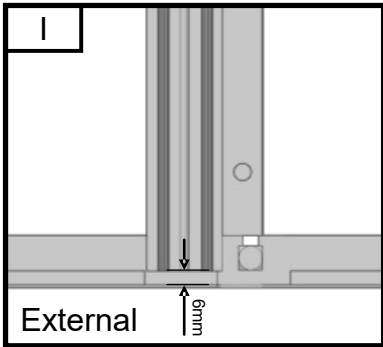


Step 11

Main building with EXT Assembly

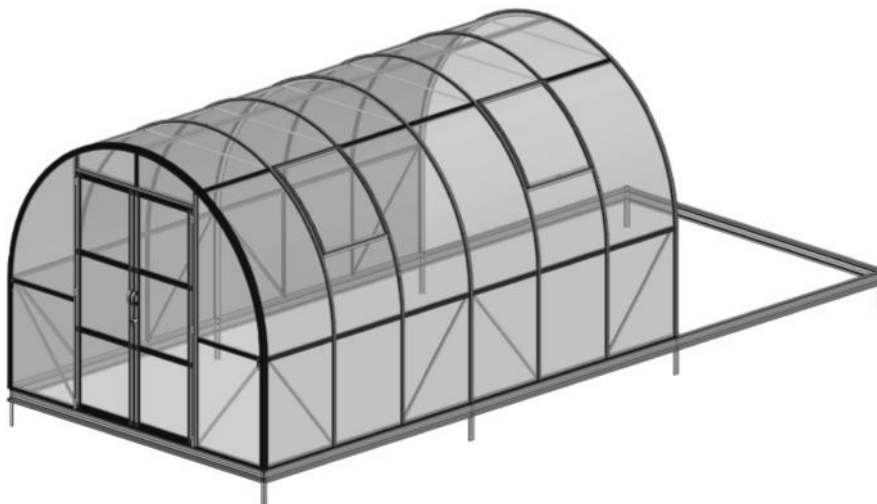
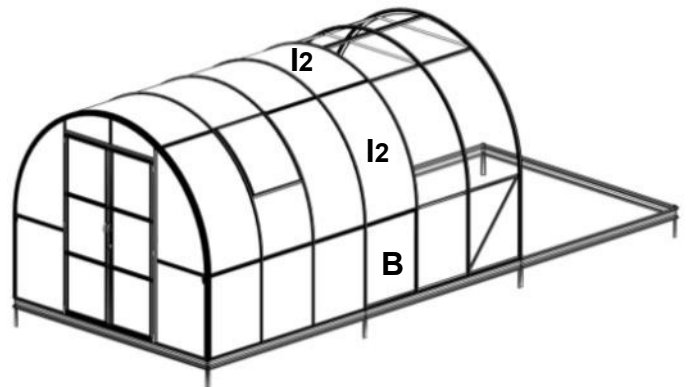
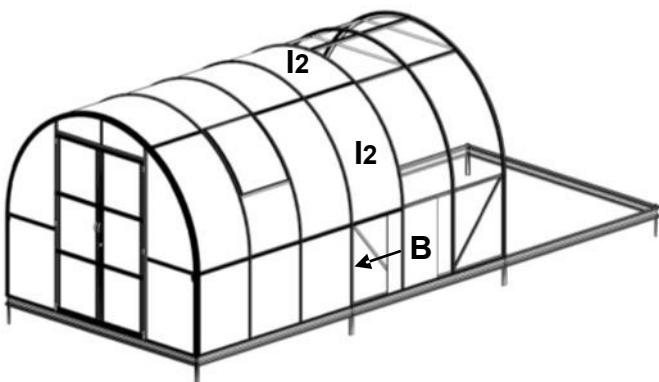
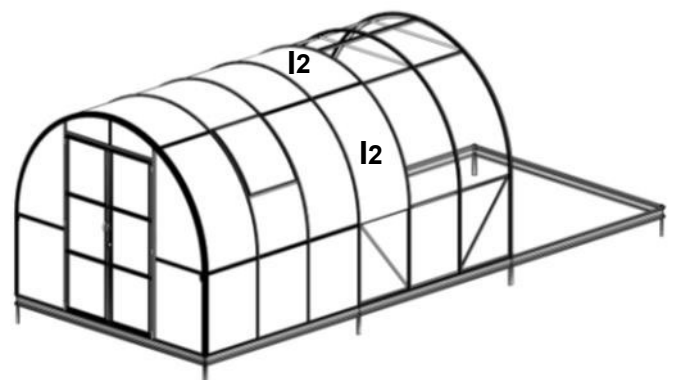
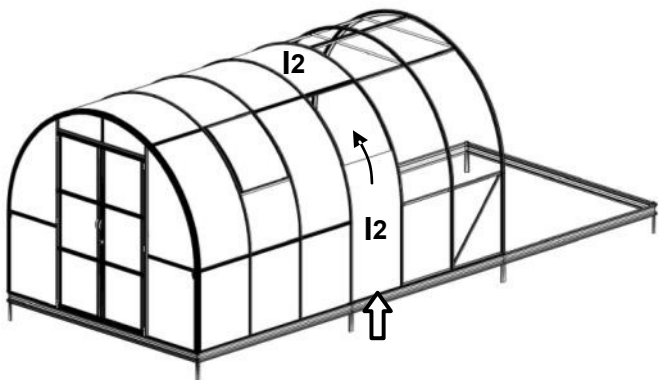
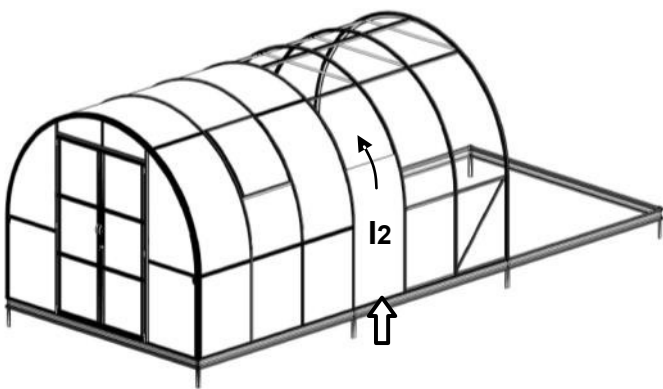


With Alu. base



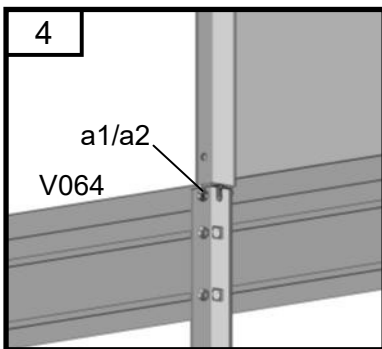
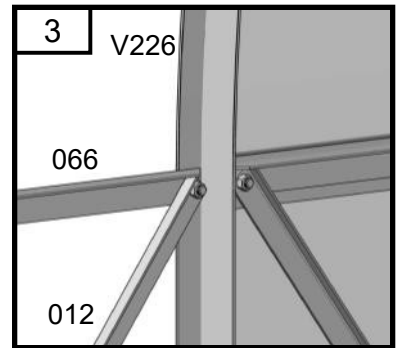
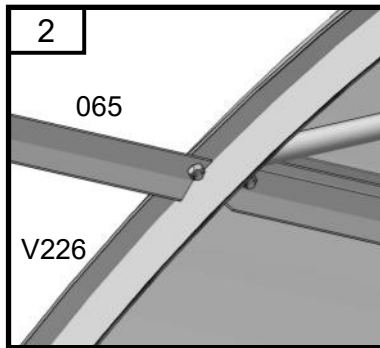
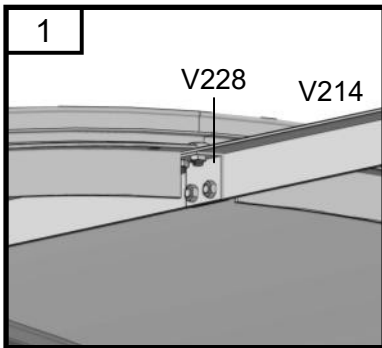
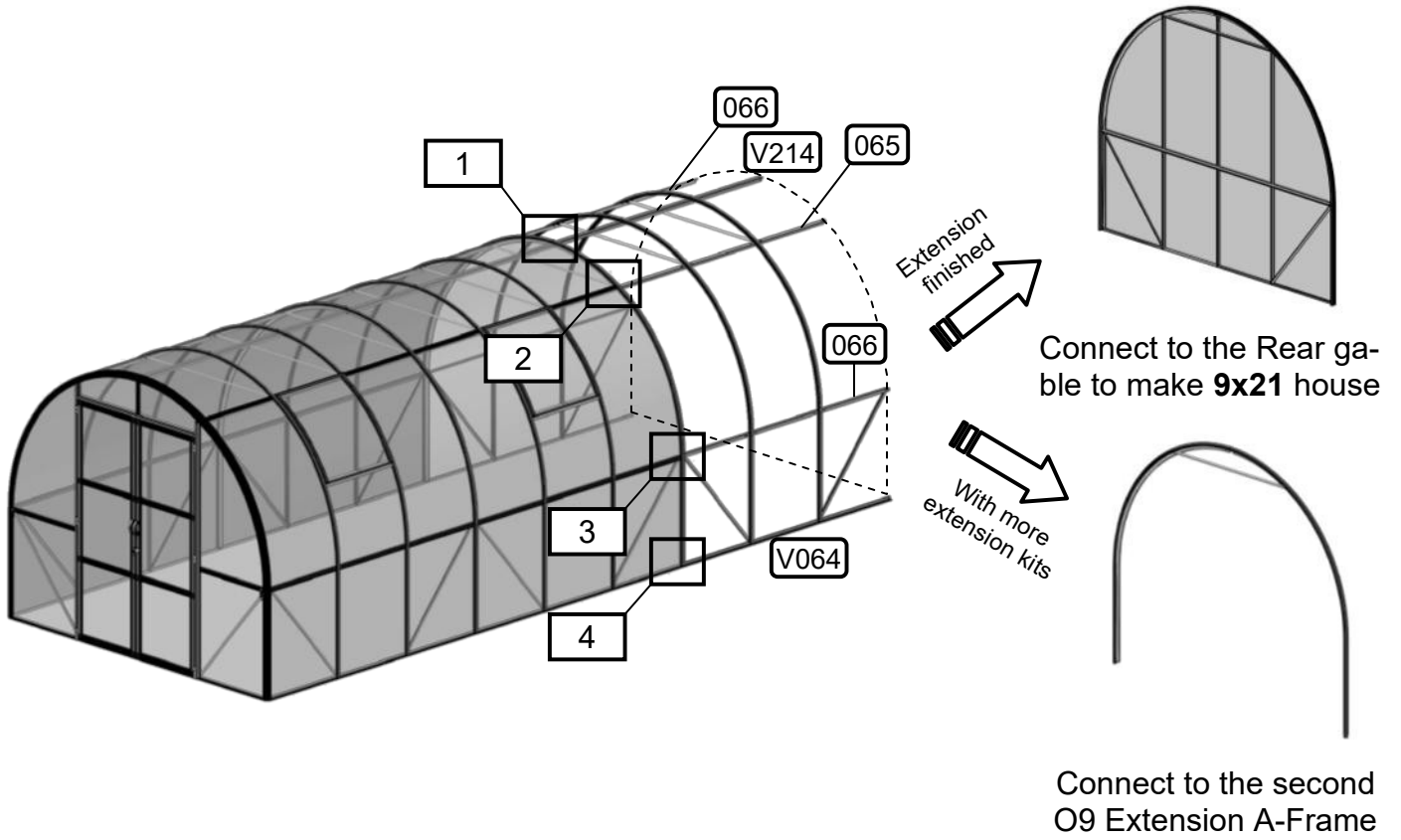
Please leave 6mm gap when you are fixing glazing bar (with "A" frame) on bottom side sill

Main building with EXT Assembly

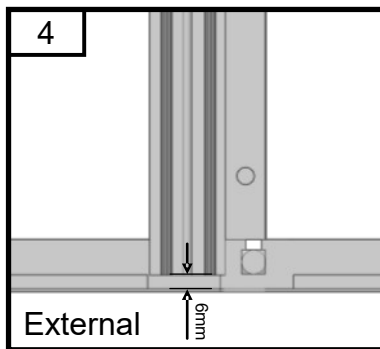


Step 12

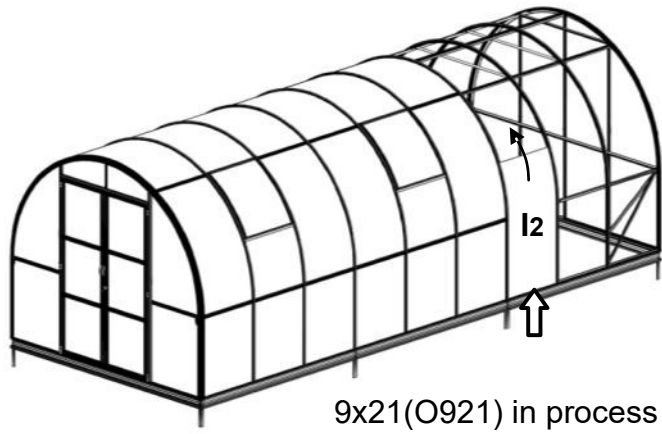
Connect the greenhouse with Rear gable or the third A-Frame.



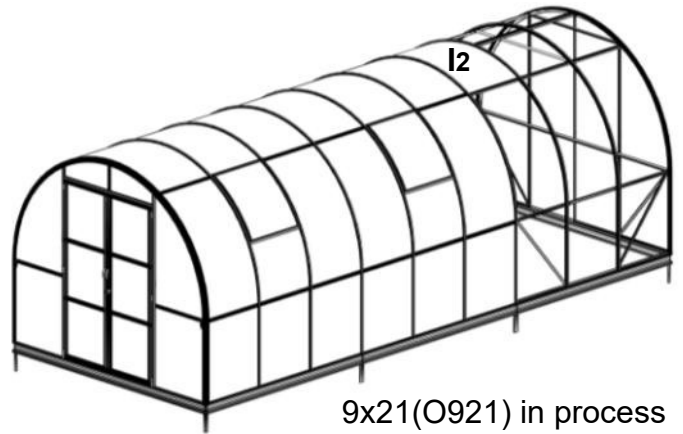
With Alu. base



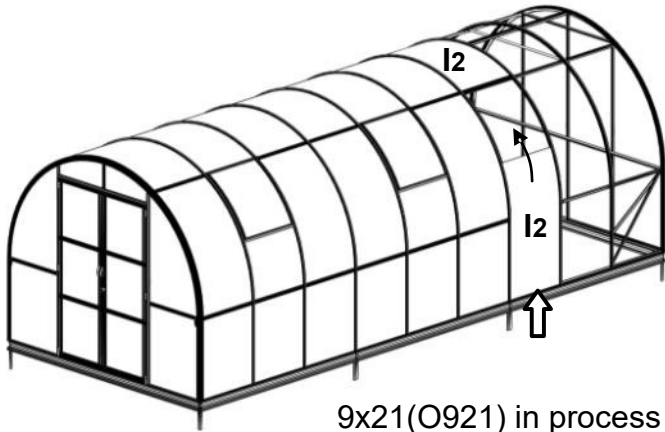
Please leave 6mm gap when you are fixing glazing bar (with "A" frame) on bottom side sill



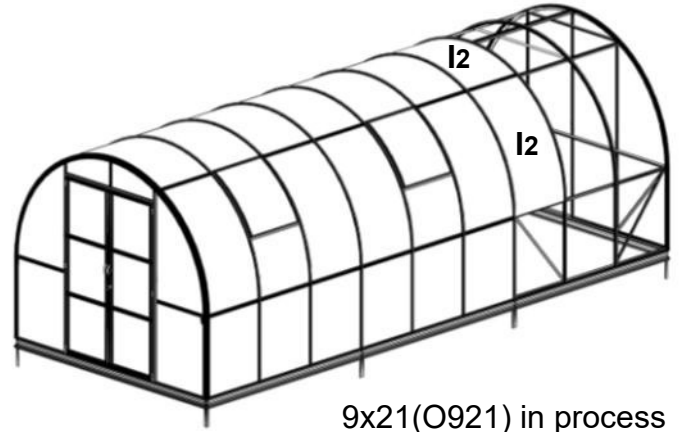
9x21(O921) in process



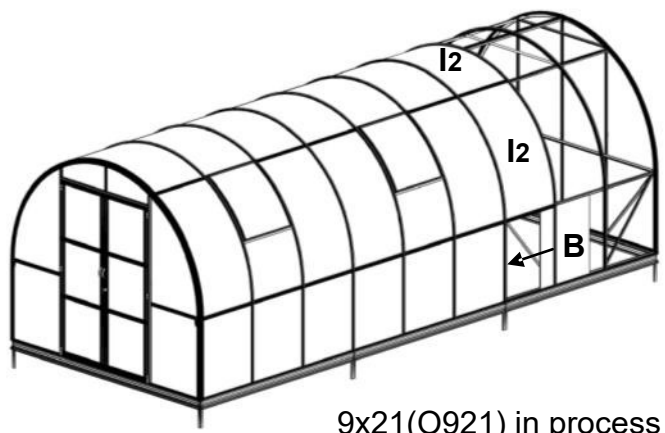
9x21(O921) in process



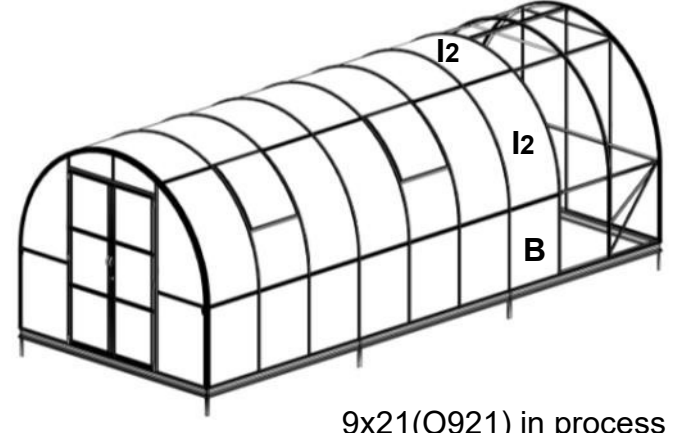
9x21(O921) in process



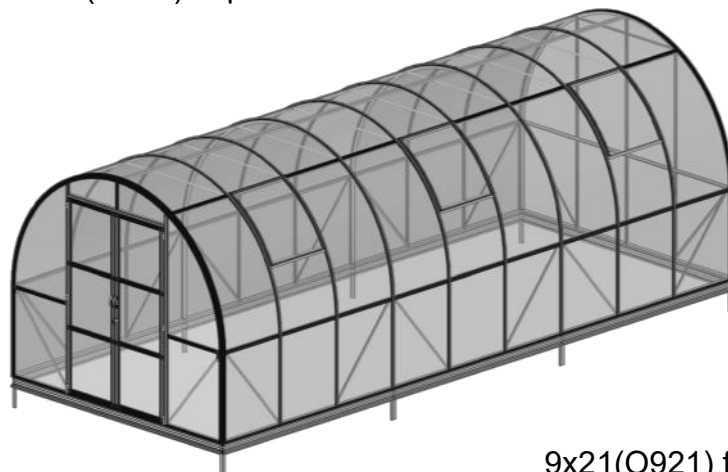
9x21(O921) in process



9x21(O921) in process



9x21(O921) in process

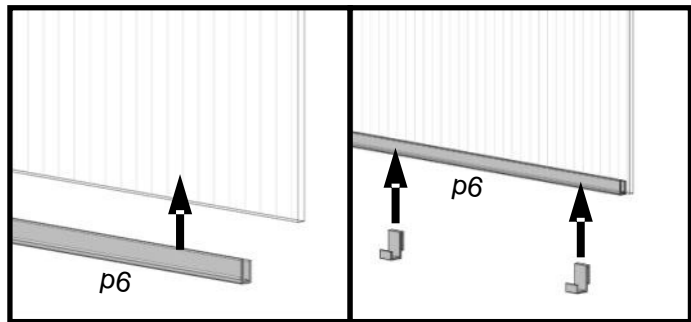
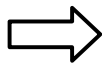
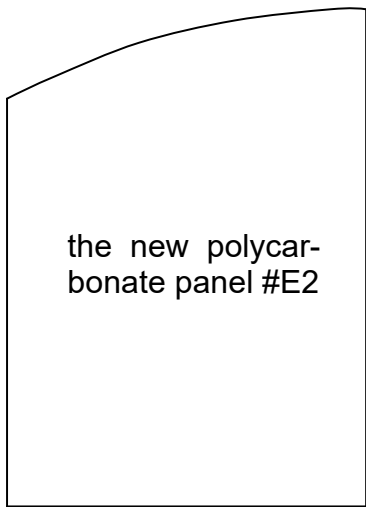
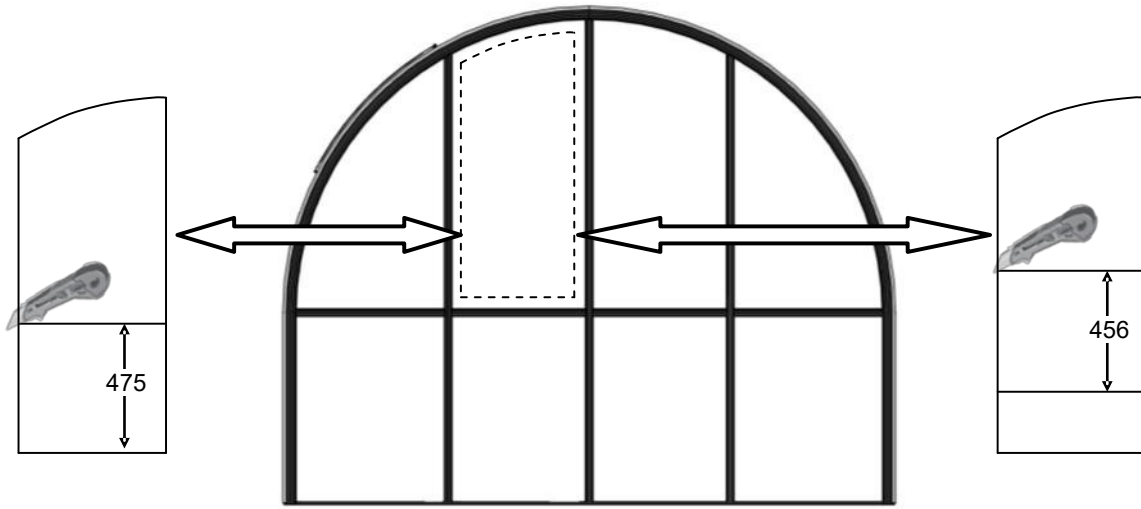


9x21(O921) finished

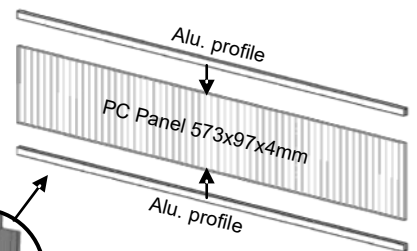
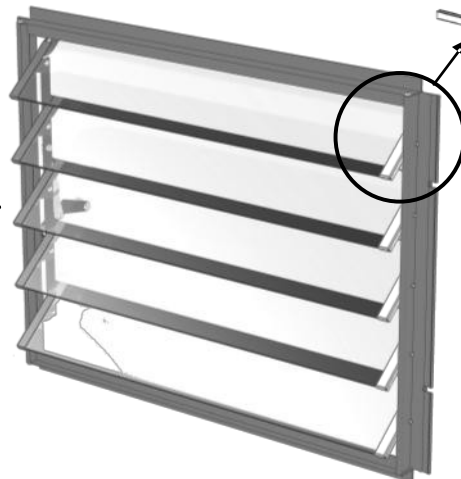
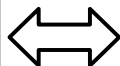
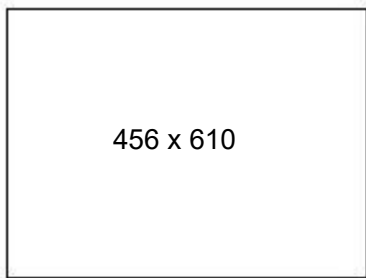
Other Climaorb Greenhouse sizes are built in the same way by connecting the extension sets. Please note that if you may decide to extend you existing greenhouse, you can add 7' extensions to already built greenhouse. Please contact our sales team for quote by emailing sales@climapod.com.

Louvre

Louvre is an optional extra and is not included in the price.



Using **Alu. clip** to connect louvre and PC panel



L	573 x 97	5
---	----------	---

Packing List

	Description	Climaorb O907 (9x7 main house, 1 set)	Climaorb O9 Extension (7' extension, 1 set)
1	Rear Gable	1	
2	Front Gable	1	
3	Roof/side wall	1	1
4	Window	2	2
5	Door	1	
6	Curved front corner bar	4	
7	Curved glazing bar	4	6
8	Curved T shape bar		2
9	Polycarbonate panels	1	1
10	Tools	1	
11	Assembly Instruction	1	
12	Aluminum Base	1	1

Contact Information:

MODULAR ORGANICS LLC
 EMAIL: sales@climapod.com
 Phone: 360.674.2642
 Website: www.climapod.com