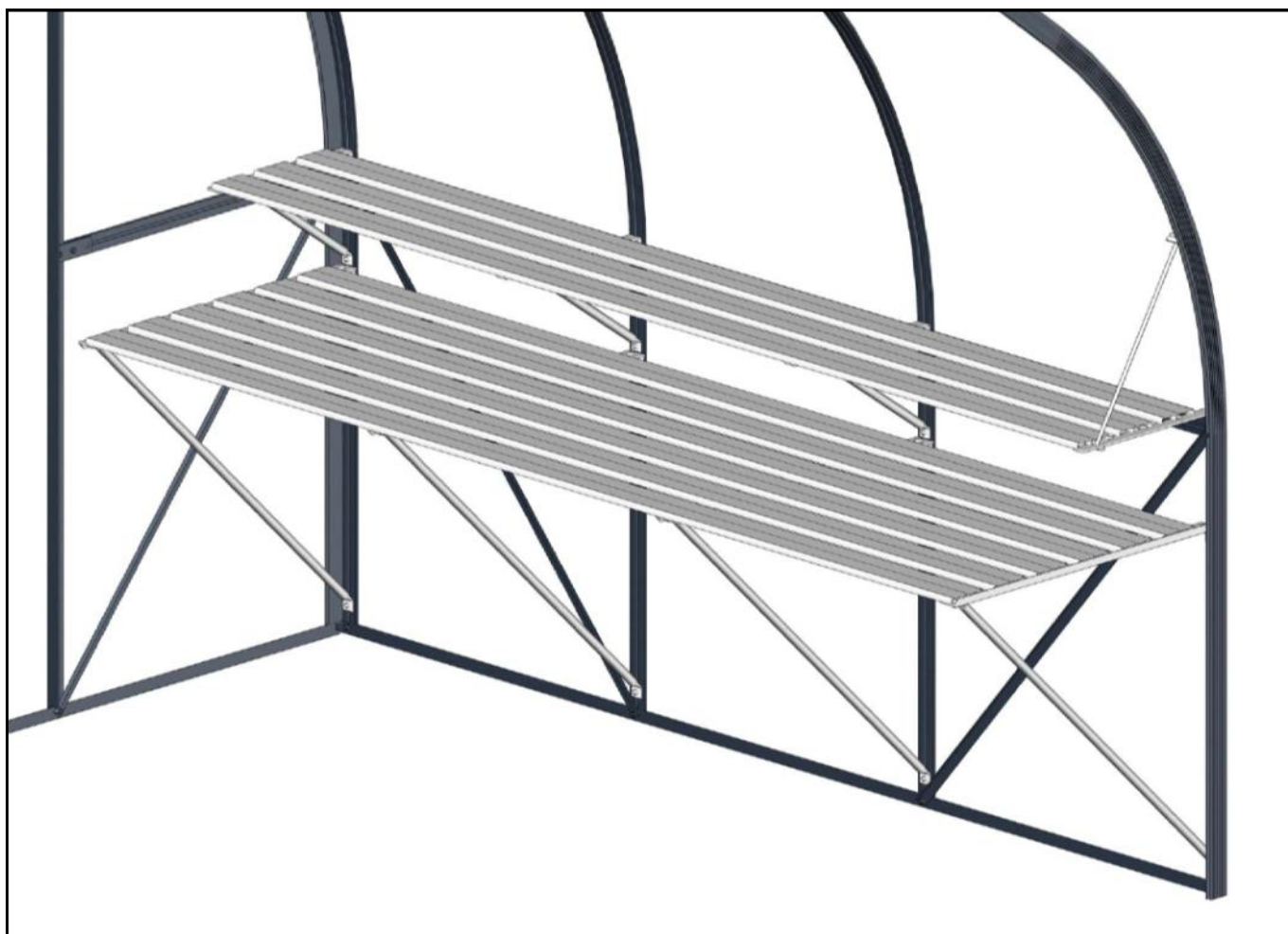




**CLIMA<sup>TM</sup>  
POD**

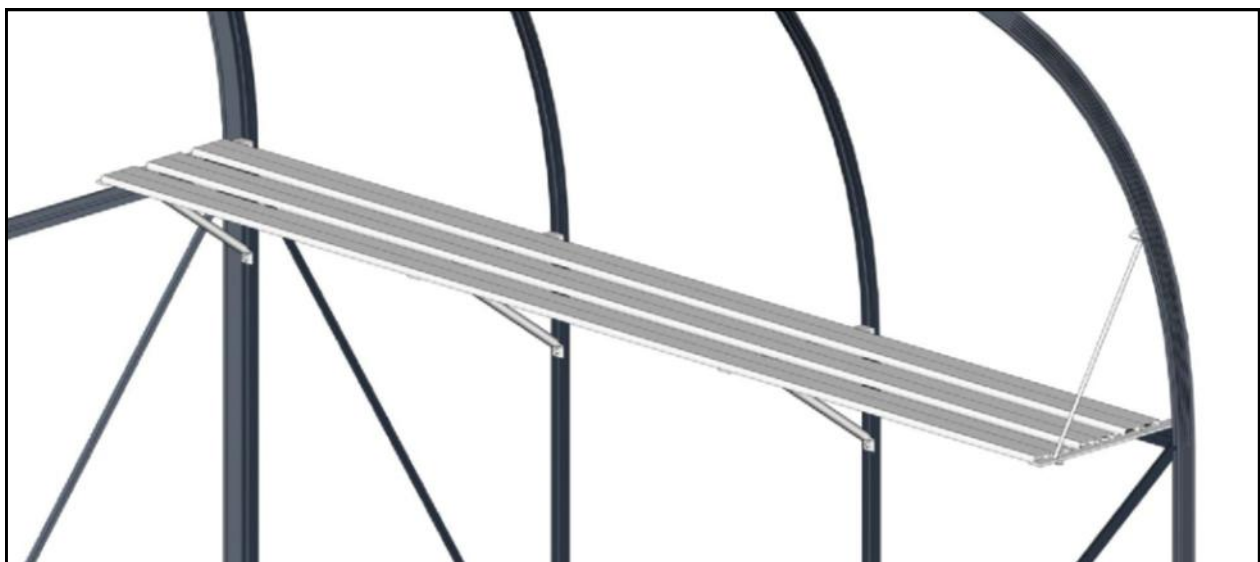
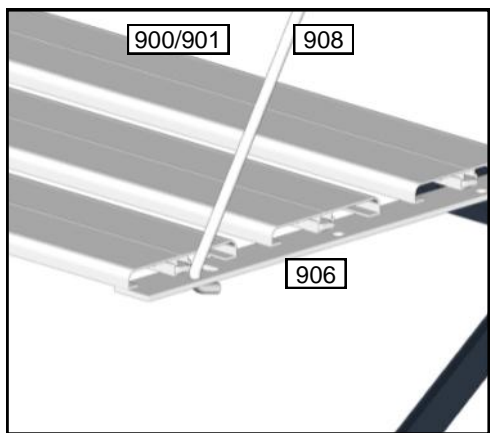
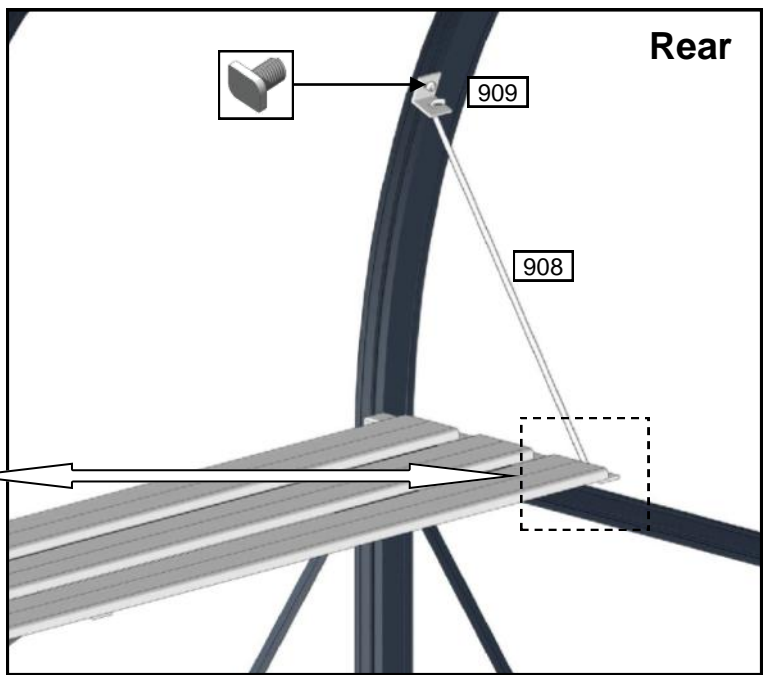
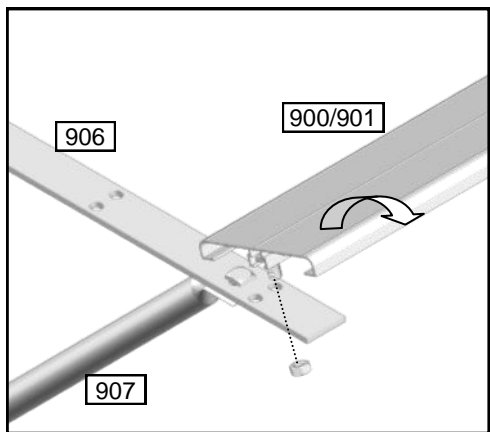
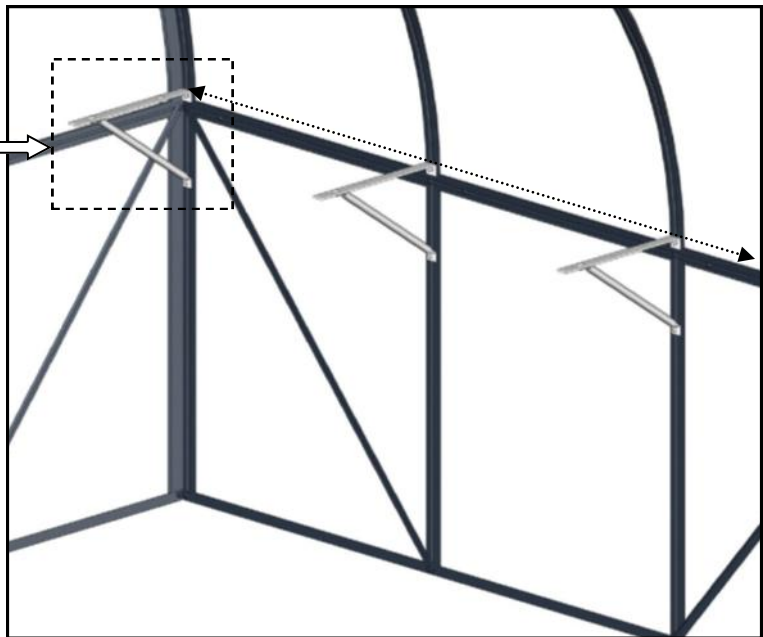
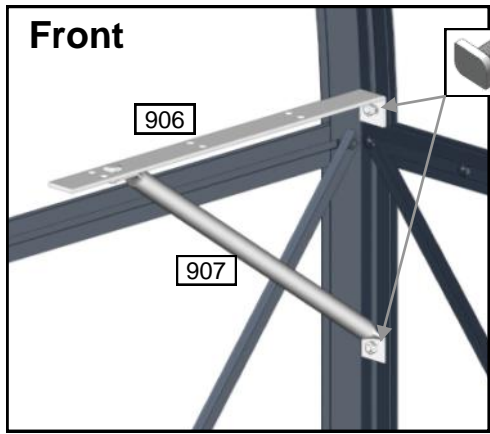
# **SHELVING AND STAGING**

## **ASSEMBLY INSTRUCTION**

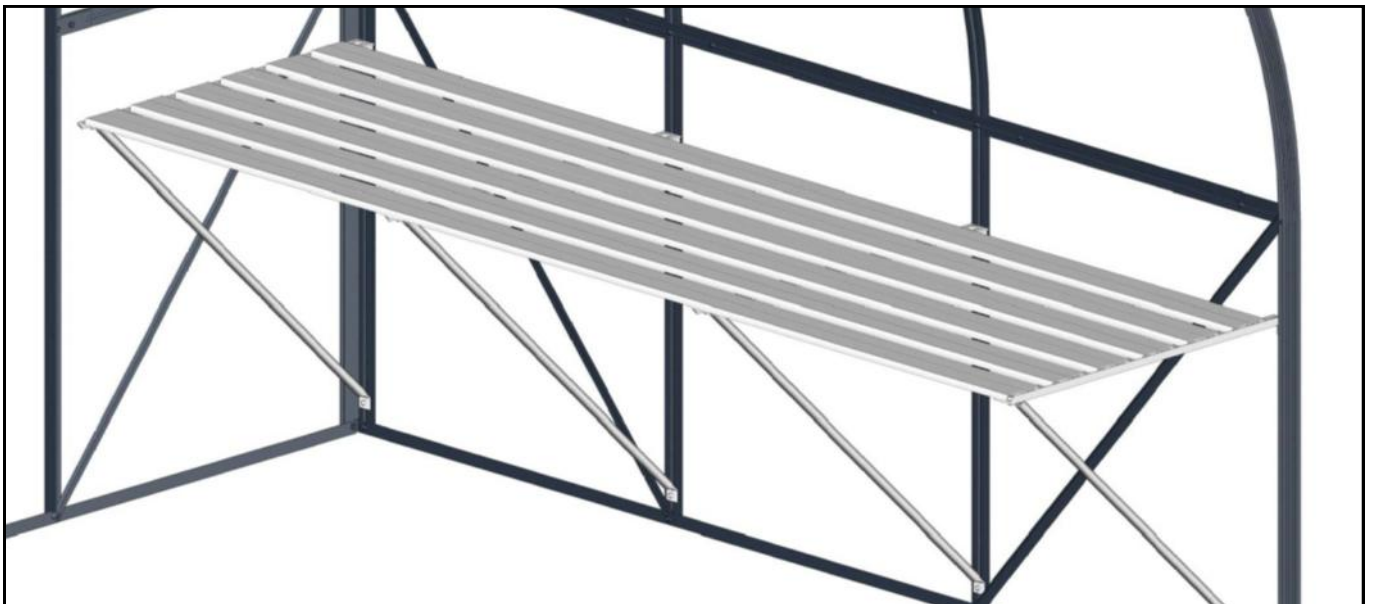
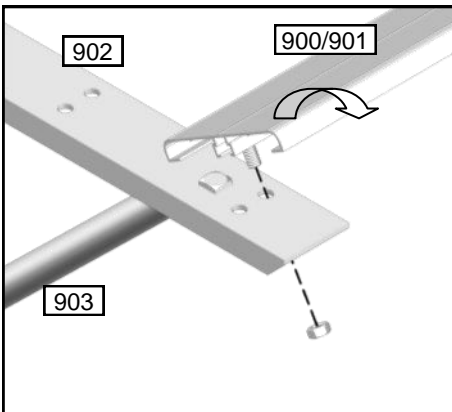
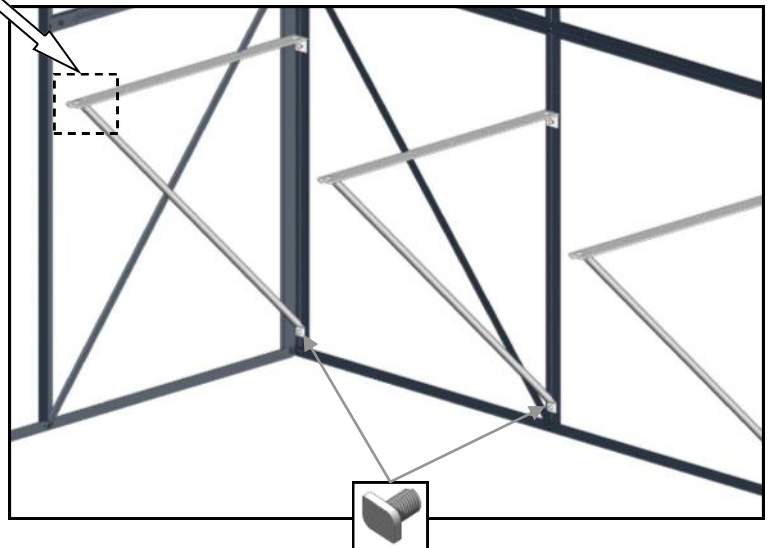
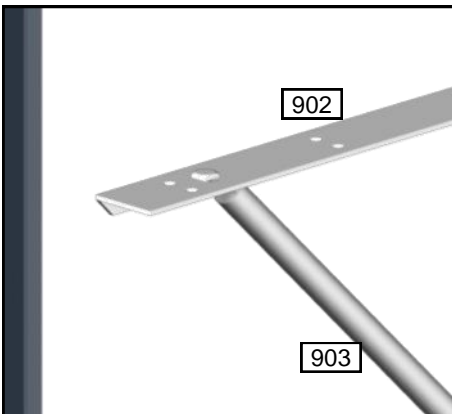
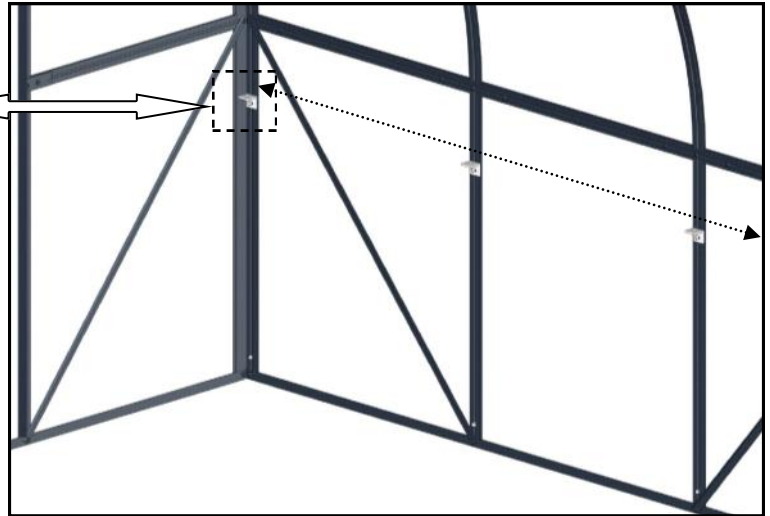
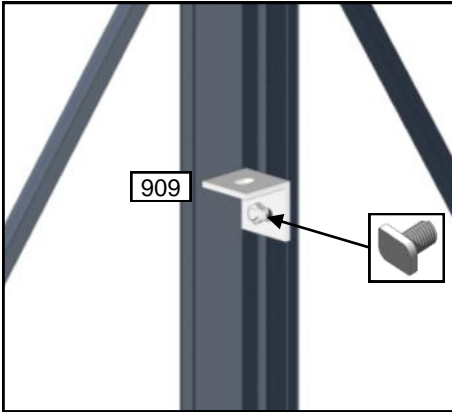


**Contact Information:**  
**MODULAR ORGANICS LLC**  
**EMAIL: [sales@climapod.com](mailto:sales@climapod.com)**  
**Phone: 360.674.2642**  
**Website: [www.climapod.com](http://www.climapod.com)**

# Shelving



# Staging



# PACKING LIST

ALU255 STAGING			
Part Name	Part No.	Length	Qty
Slat	900	1432 (4'8 <sup>3</sup> / <sub>8</sub> "	6
Staging Arm	902	625 (2' <sup>5</sup> / <sub>8</sub> "	3
Large Diagonal Support	903	815 (2'8 <sup>1</sup> / <sub>16</sub> "	3
Small Bracket	909	25 (1"	3
M6x10 Bolt			24
M6 Nut			30
M6x10 Crop - head Bolt			6
ALU257 STAGING			
Part Name	Part No.	Length	Qty
Slat	901	2148 (7' <sup>9</sup> / <sub>16</sub> "	6
Staging Arm	902	625 (2' <sup>5</sup> / <sub>8</sub> "	4
Large Diagonal Support	903	815 (2'8 <sup>1</sup> / <sub>16</sub> "	4
Small Bracket	909	25 (1"	4
M6x10 Bolt			32
M6 Nut			40
M6x10 Crop - head Bolt			8
ALU135 SHELF			
Part Name	Part No.	Length	Qty
Slat	900	1432 (4'8 <sup>3</sup> / <sub>8</sub> "	3
Slat Shelving Horizontal	906	350 (1'1 <sup>3</sup> / <sub>4</sub> "	3
Small Diagonal Support	907	395 (1'3 <sup>9</sup> / <sub>16</sub> "	3
Shelving Support Rod	908	435 (1'5 <sup>1</sup> / <sub>8</sub> "	1
Small Bracket	909	25 (1"	1
M6x10 Bolt			12
M6 Nut			18
M6x10 Crop - head Bolt			6
ALU137 SHELF			
Part Name	Part No.	Length	Qty
Slat	901	2148 (7' <sup>9</sup> / <sub>16</sub> "	3
Slat Shelving Horizontal	906	350 (1'1 <sup>3</sup> / <sub>4</sub> "	4
Small Diagonal Support	907	395 (1'3 <sup>9</sup> / <sub>16</sub> "	4
Shelving Support Rod	908	435 (1'5 <sup>1</sup> / <sub>8</sub> "	1
Small Bracket	909	25 (1"	1
M6x10 Bolt			16
M6 Nut			24
M6x10 Crop - head Bolt			8