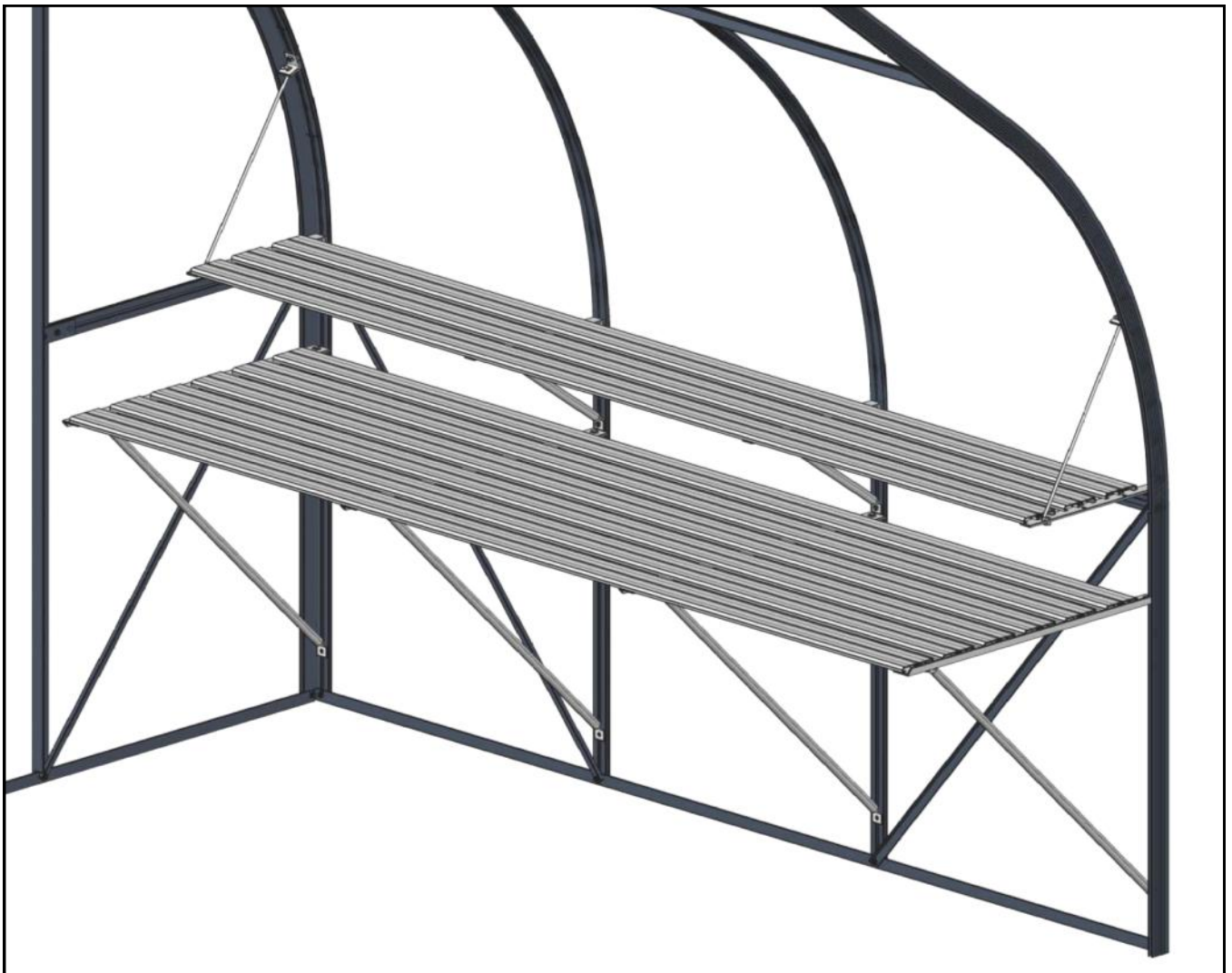




**CLIMATM
POD**

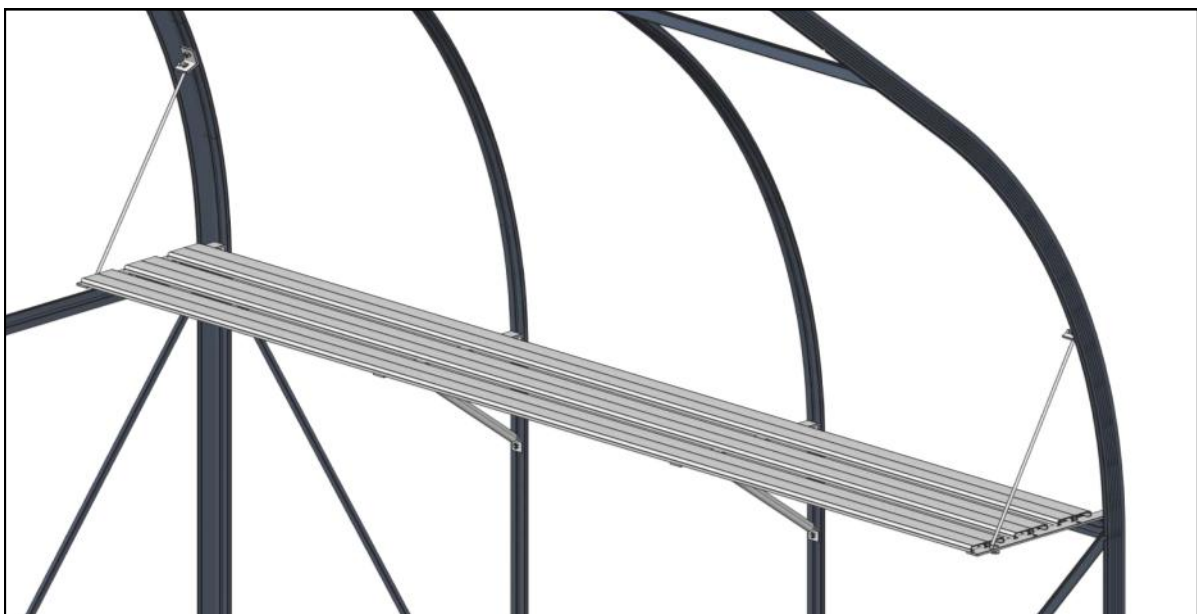
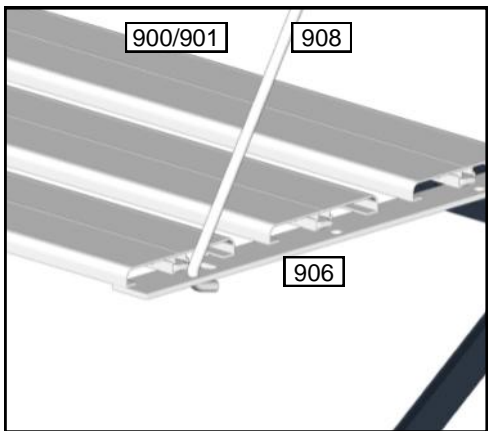
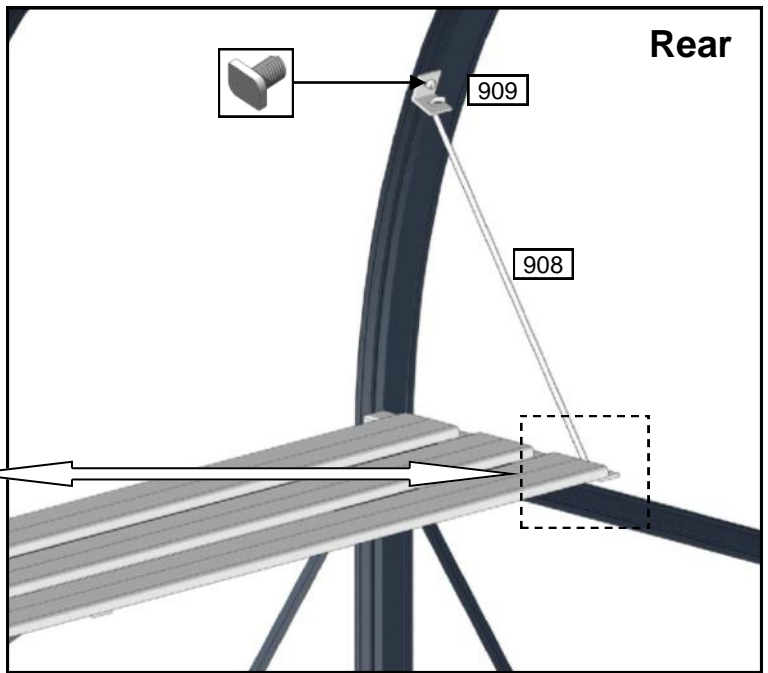
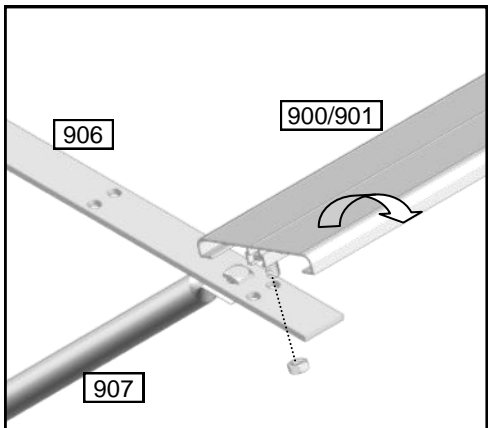
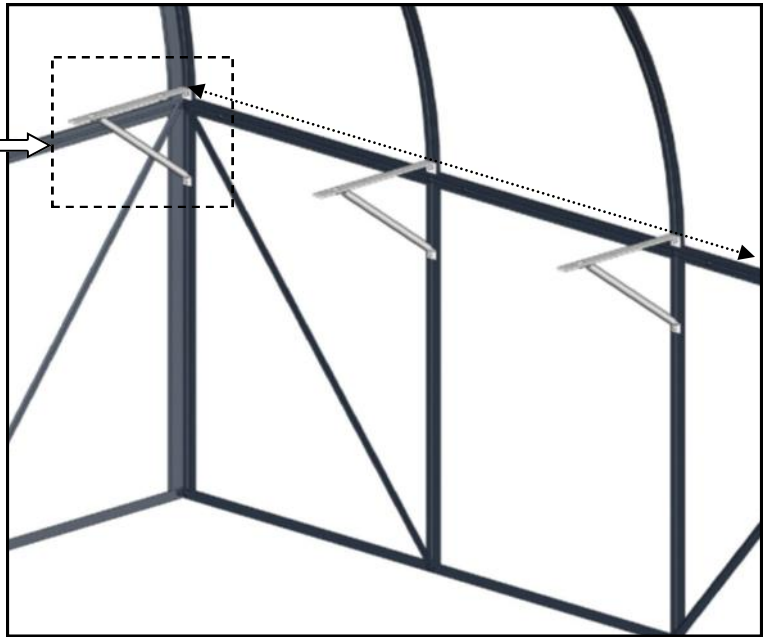
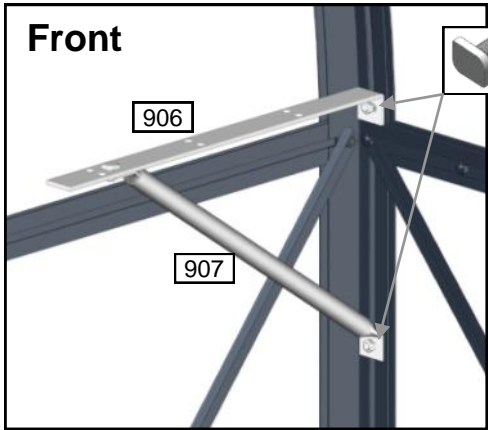
SHELVING AND STAGING

ASSEMBLY INSTRUCTION

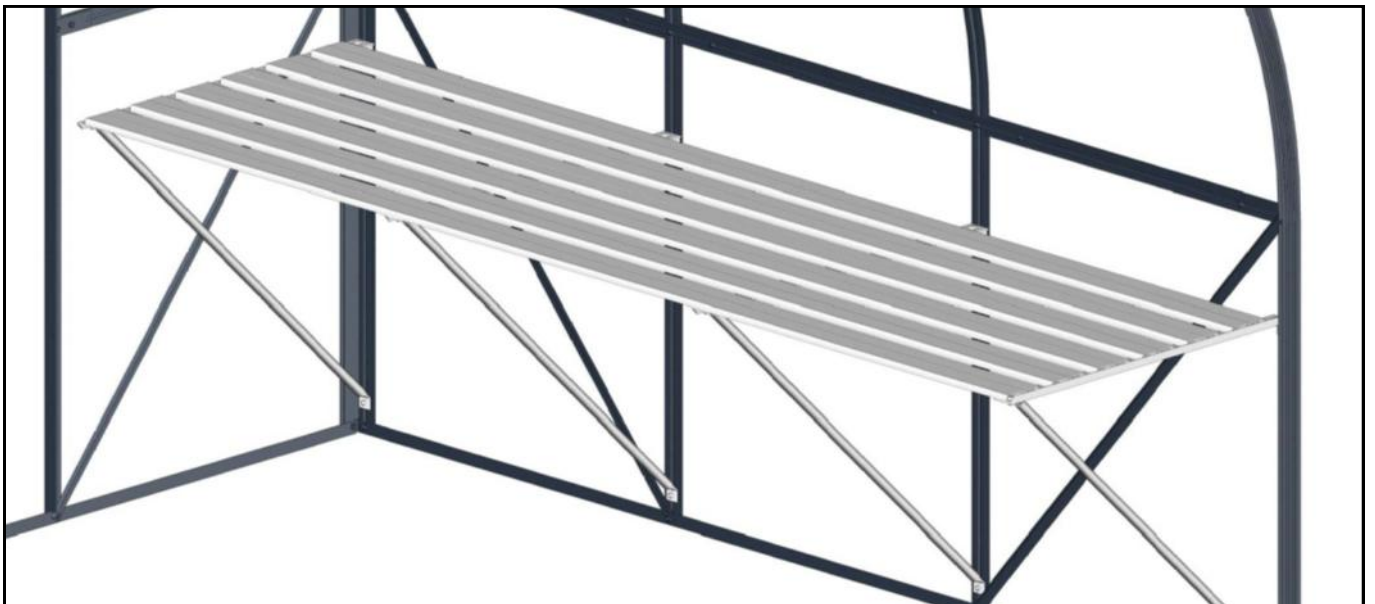
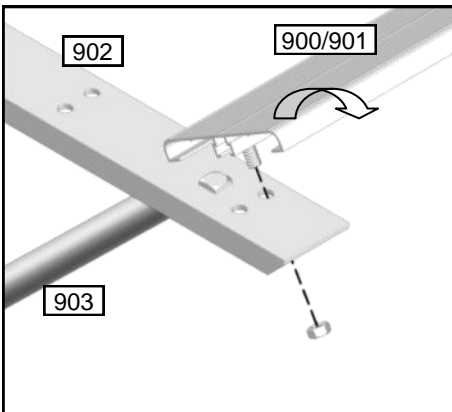
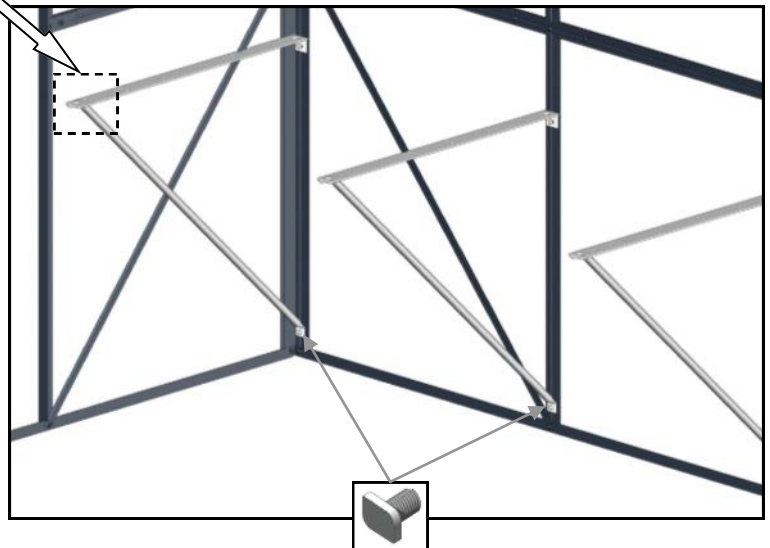
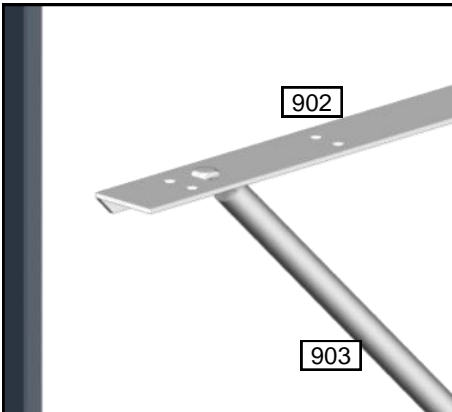
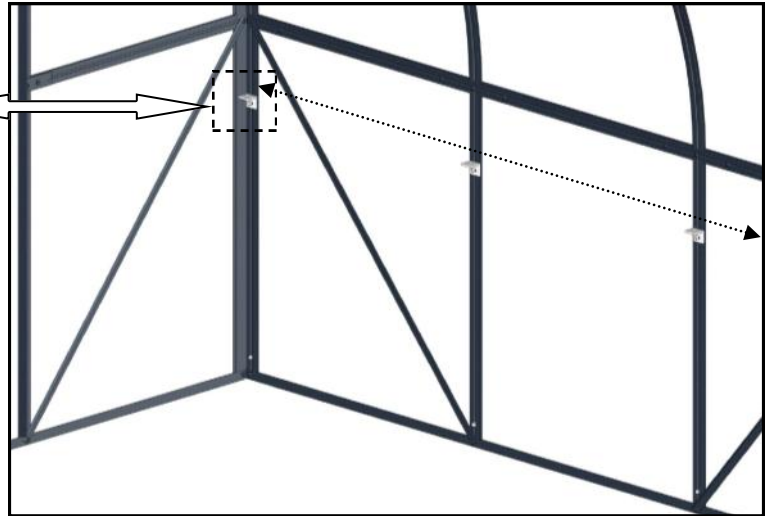
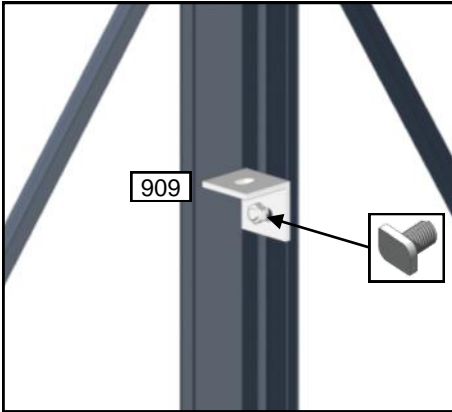


Contact Information:
MODULAR ORGANICS LLC
EMAIL: sales@climapod.com
Phone: 360.674.2642
Website: www.climapod.com

Shelving

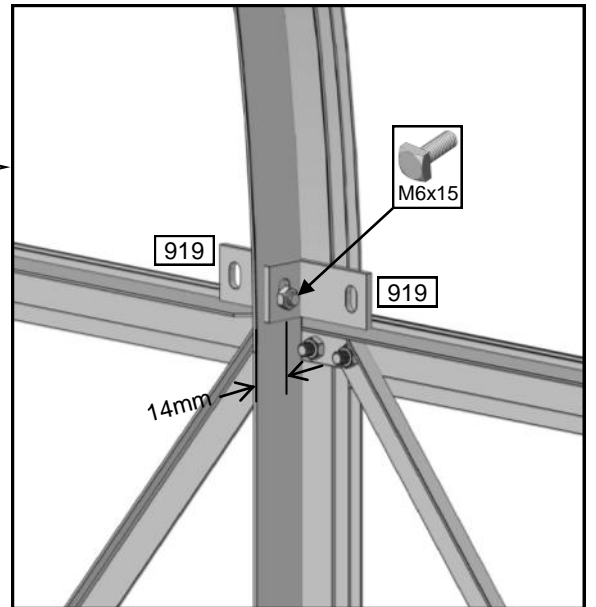
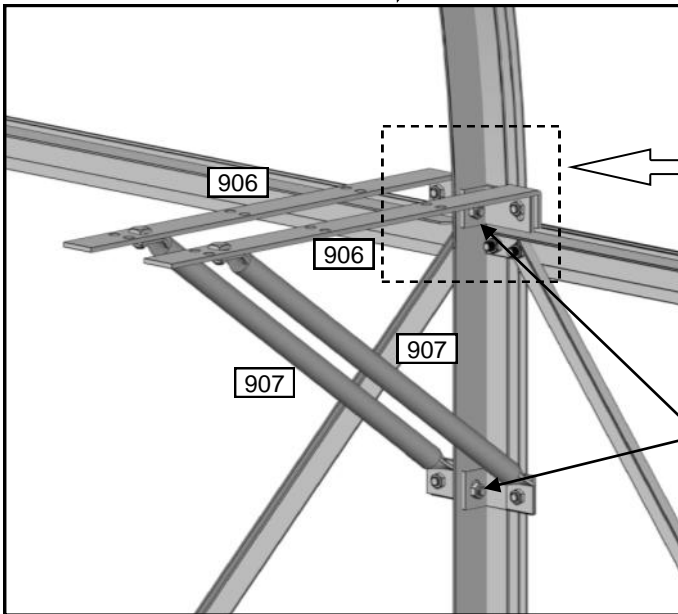
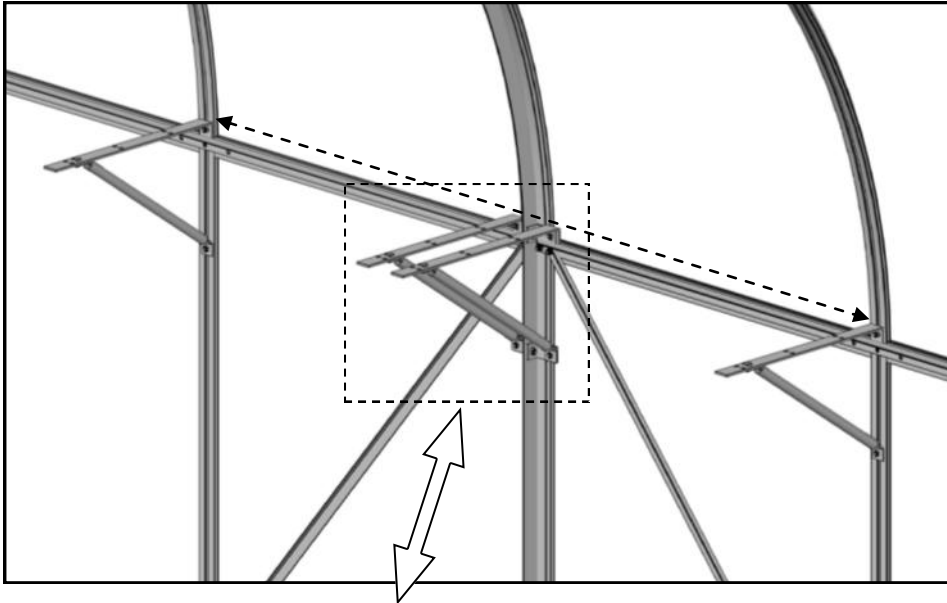


Staging

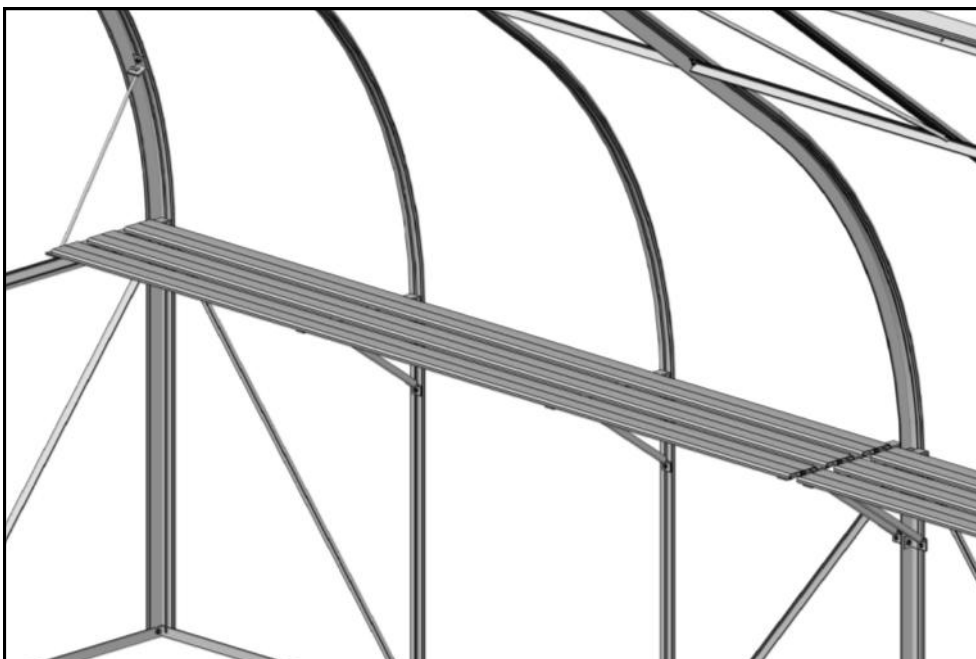


Shelving Extension

Join at A-frame

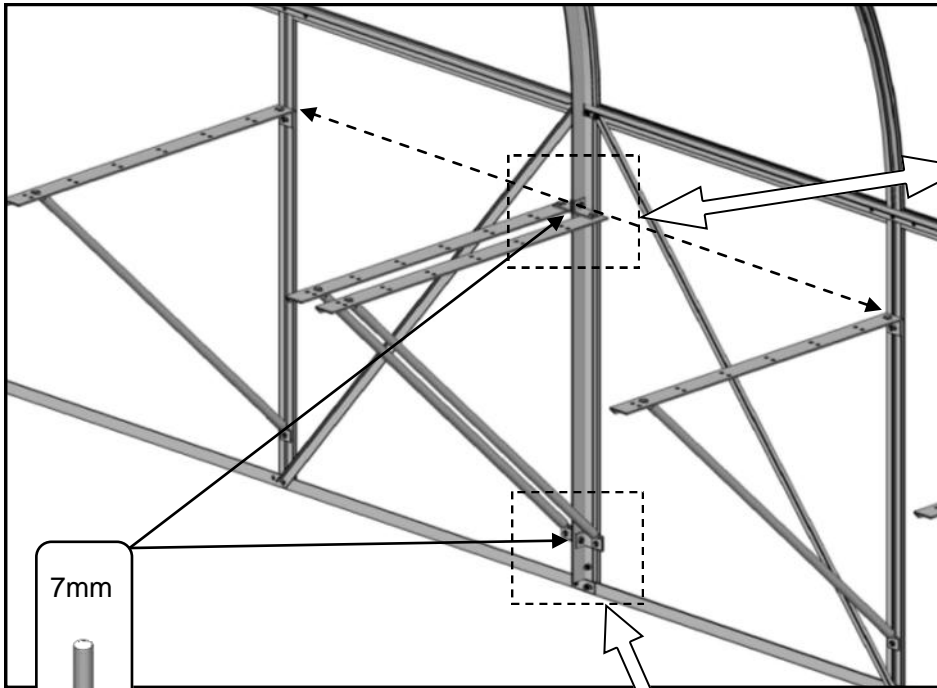


Drill at the preferred height



Staging Extension

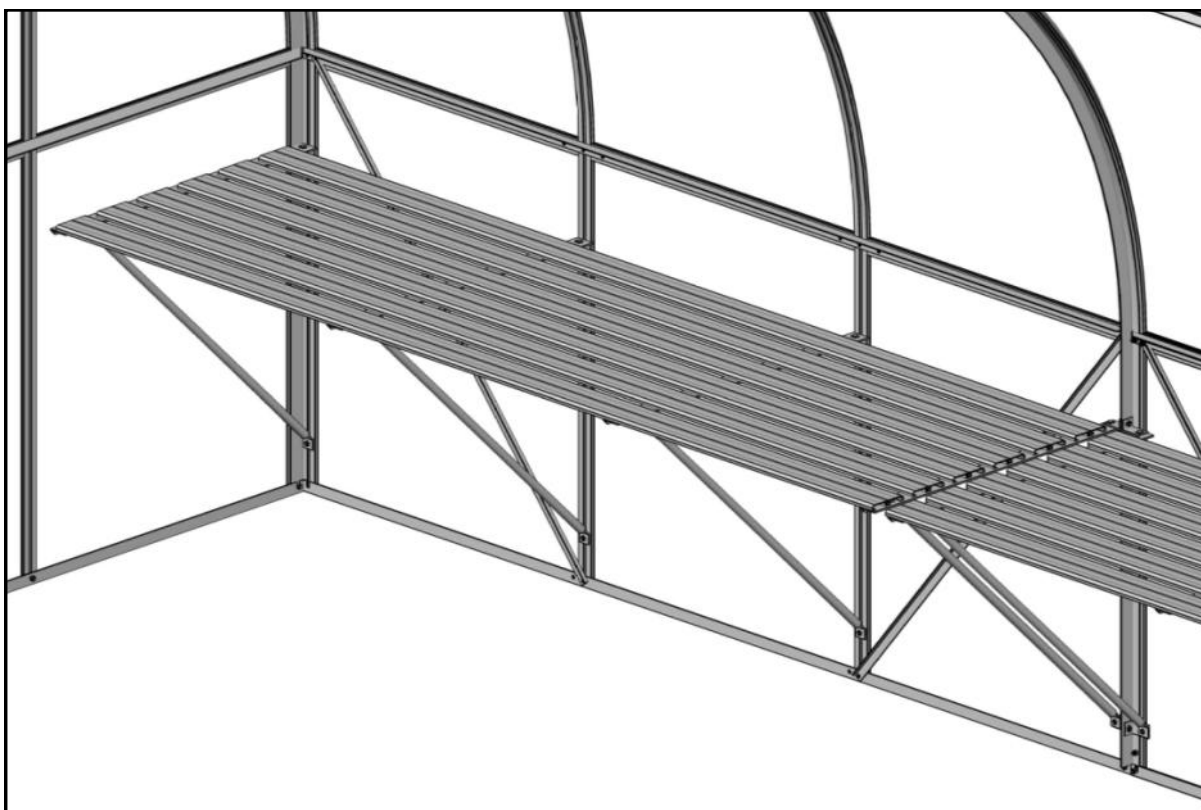
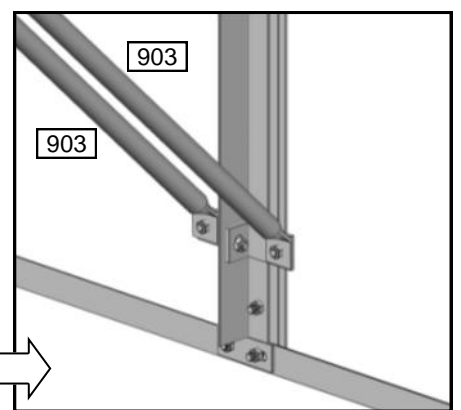
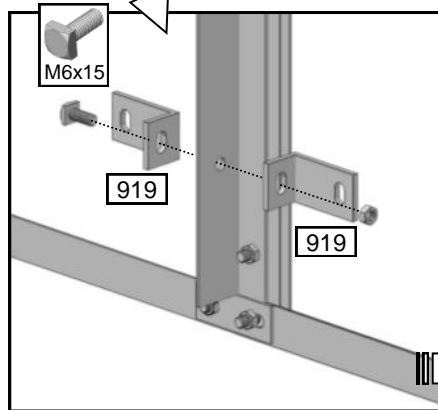
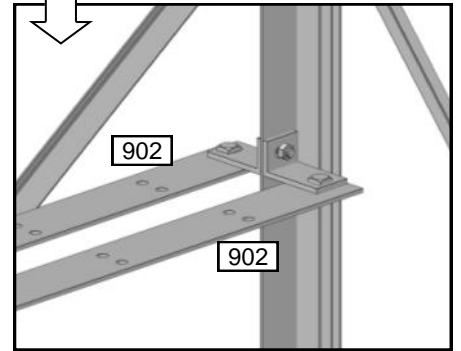
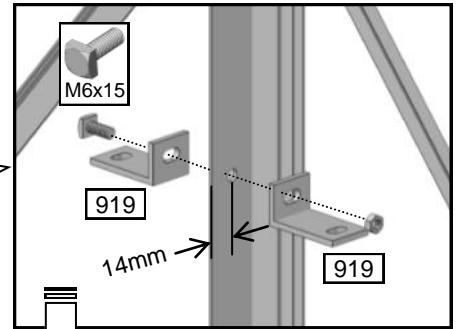
Join at A-frame



7mm



Drill at the preferred height



PACKING LIST

A-ALU255 STAGING			
Part Name	Part No.	Length	Qty
Slat	900	1432 (4'8 ³ / ₈ "	6
Staging Arm	902	625 (2' ⁵ / ₈ "	3
Large Diagonal Support	903	815 (2'8 ¹ / ₁₆ "	3
Small Bracket	909	25(1")	3
M6x10 Bolt			24
M6 Nut			30
M6x10 Crop - head Bolt			6

A-ALU257 STAGING			
Part Name	Part No.	Length	Qty
Slat	901	2148 (7' ⁹ / ₁₆ "	6
Staging Arm	902	625 (2' ⁵ / ₈ "	4
Large Diagonal Support	903	815 (2'8 ¹ / ₁₆ "	4
Small Bracket	909	25(1")	4
M6x10 Bolt			32
M6 Nut			40
M6x10 Crop - head Bolt			8

A-ALU135 SHELF			
Part Name	Part No.	Length	Qty
Slat	900	1432 (4'8 ³ / ₈ "	3
Slat Shelving Horizontal	906	325 (2' ⁵ / ₈ "	3
Small Diagonal Support	907	395 (1'3 ⁹ / ₁₆ "	3
Shelving Support Rod	908	435 (1'5 ¹ / ₈ "	2
Small Bracket	909	25(1")	2
M6x10 Bolt			12
M6 Nut			18
M6x10 Crop - head Bolt			6

A-ALU137 SHELF			
Part Name	Part No.	Length	Qty
Slat	901	2148 (7' ⁹ / ₁₆ "	3
Slat Shelving Horizontal	906	325 (2' ⁵ / ₈ "	4
Small Diagonal Support	907	395 (1'3 ⁹ / ₁₆ "	4
Shelving Support Rod	908	435 (1'5 ¹ / ₈ "	2
Small Bracket	909	25(1")	2
M6x10 Bolt			16
M6 Nut			24
M6x10 Crop - head Bolt			8

A-EXT257 STAGING			
Part Name	Part No.	Length	Qty
Slat	912	2116 (6'11 ⁵ / ₁₆ "	6
Staging Arm	902	625 (2' ⁵ / ₈ "	4
Large Diagonal Support	903	815 (2'8 ¹ / ₁₆ "	4
Small Bracket	909	25(1")	3
Big Bracket	919	25(1")	4
M6x10 Bolt			34
M6x15 Bolt			2
M6 Nut			42
M6x10 Crop - head Bolt			6

A-EXT137 SHELF			
Part Name	Part No.	Length	Qty
Slat	912	2116 (6'11 ⁵ / ₁₆ "	3
Slat Shelving Horizontal	906	325 (2' ⁵ / ₈ "	4
Small Diagonal Support	907	395 (1'3 ⁹ / ₁₆ "	4
Shelving Support Rod	908	435 (1'5 ¹ / ₈ "	1
Small Bracket	909	25(1")	1
Big Bracket	919	25(1")	4
M6x10 Bolt			20
M6x15 Bolt			2
M6 Nut			28
M6x10 Crop - head Bolt			6